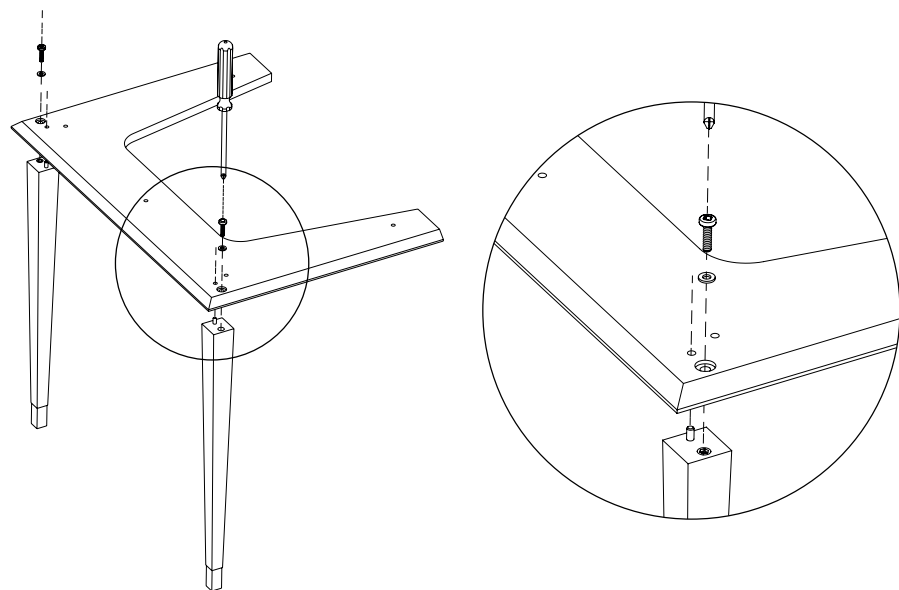
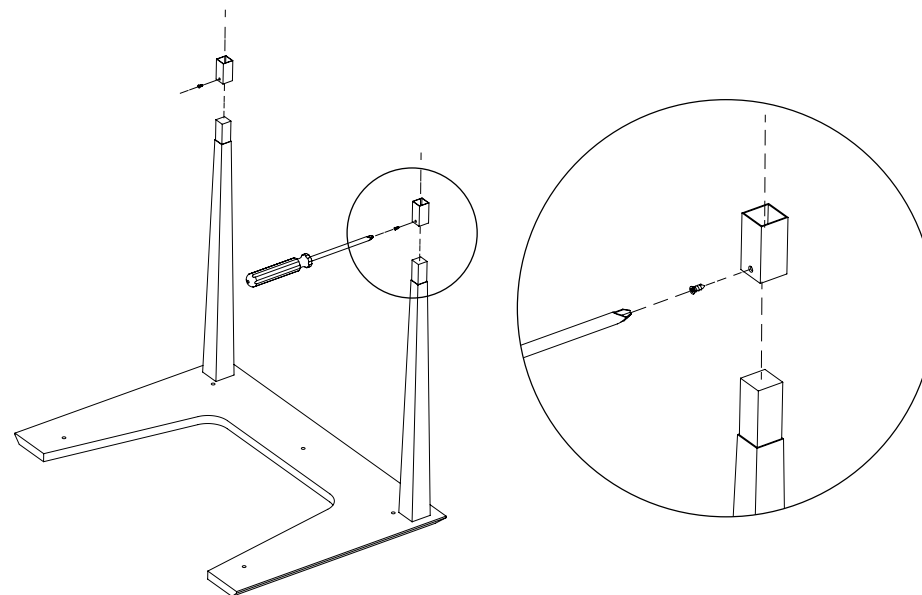


STEP 1



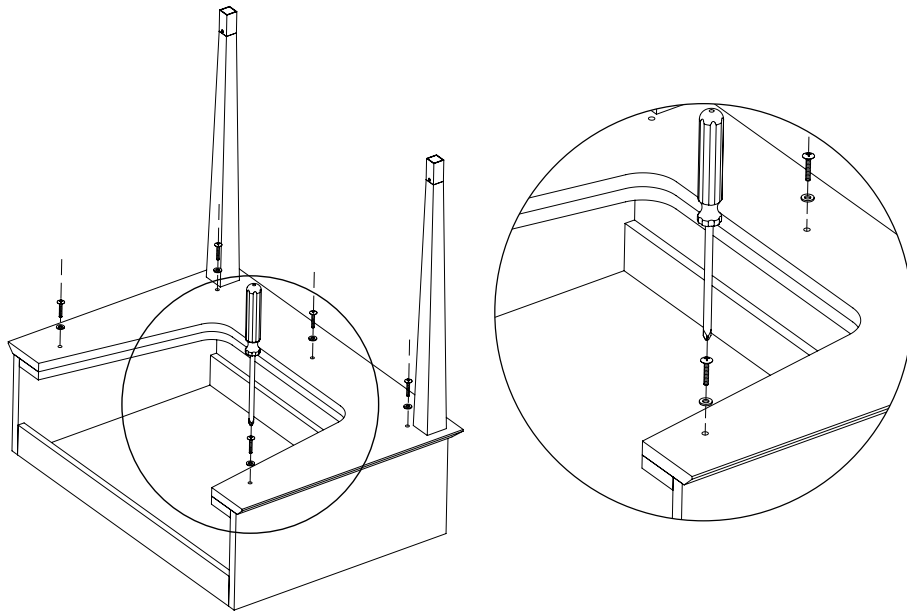
- Screw the legs to the base.

STEP 2



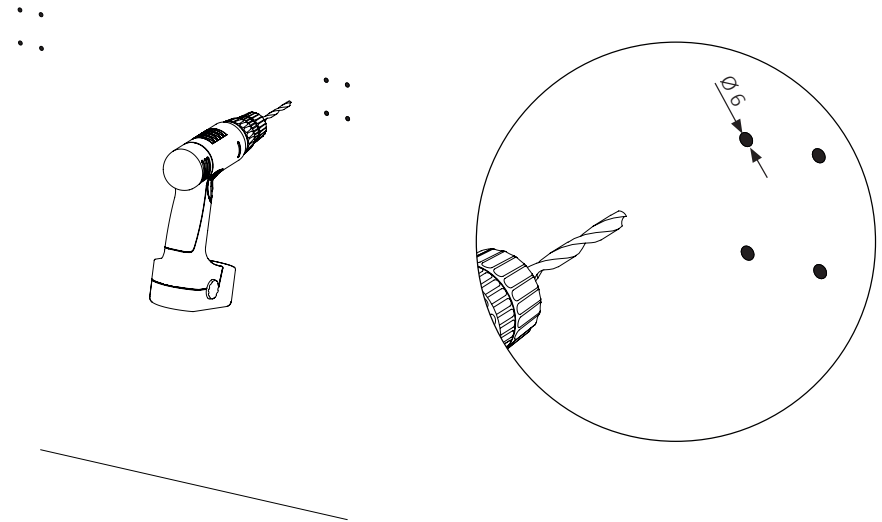
- Screw the trims to the legs.

STEP 3



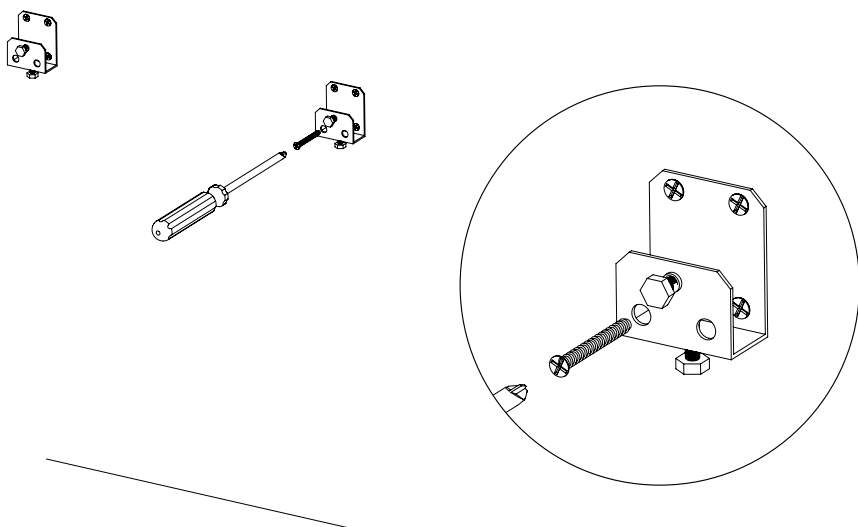
- Screw the base to the main body.

STEP 4



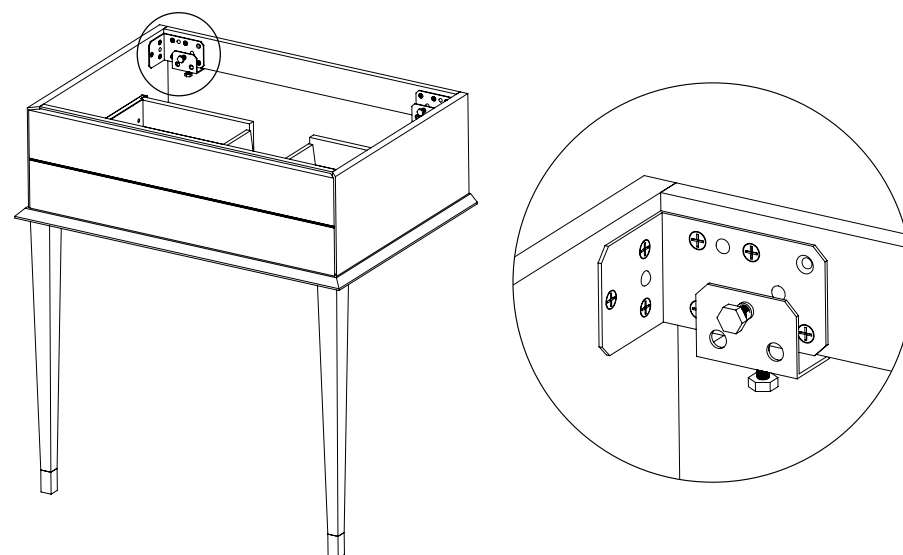
- Drill holes into the wall to install the Decofix system in the next step.

STEP 5



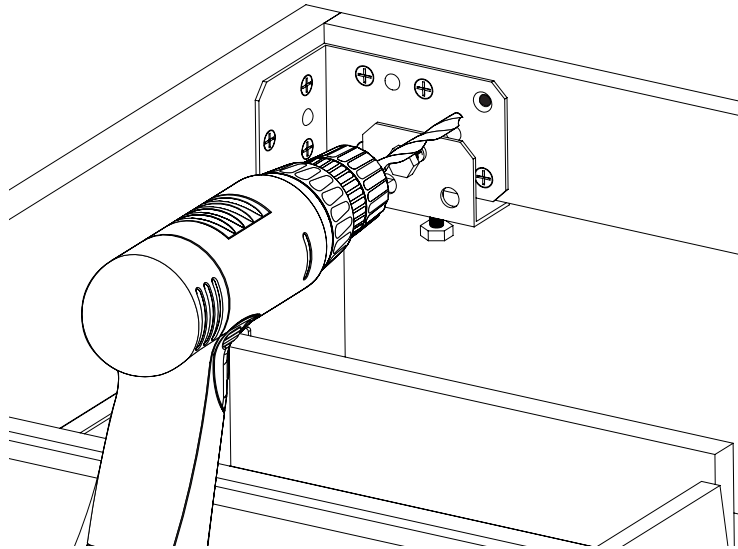
- Screw the Decofix system into the wall.

STEP 6



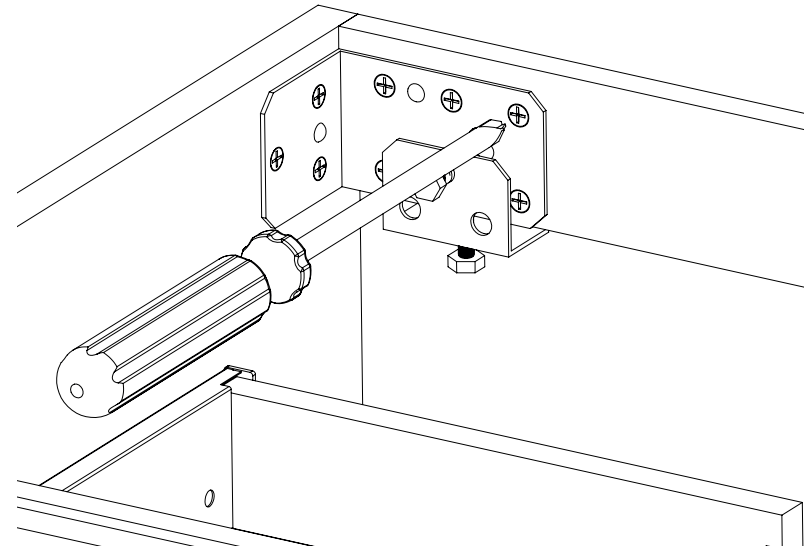
- Adjust the position screwing the screws.

STEP 7



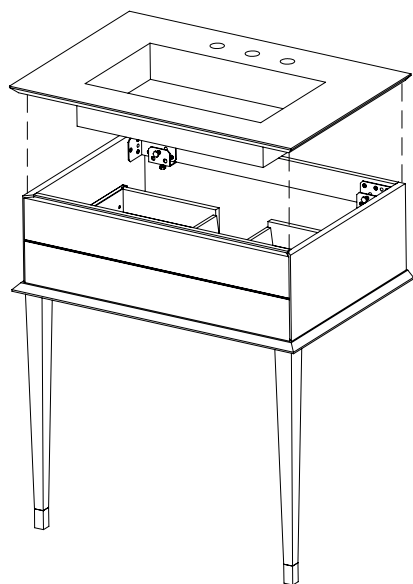
- Drill an extra hole using the decofix system as a guide to bring major strength to the union.

STEP 8



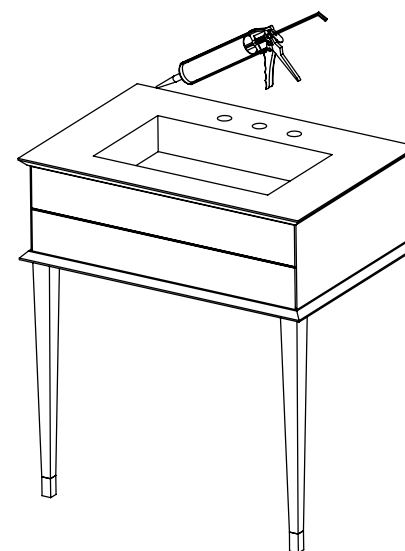
- Screw the main body to the wall in order to bring more security to the ASSEMBLY.

STEP 9



- Put the worktop on the main body.

STEP 10



- Put a layer of silicone where the worktop and the wall join.

ADJUSTINGS IF NEEDED

