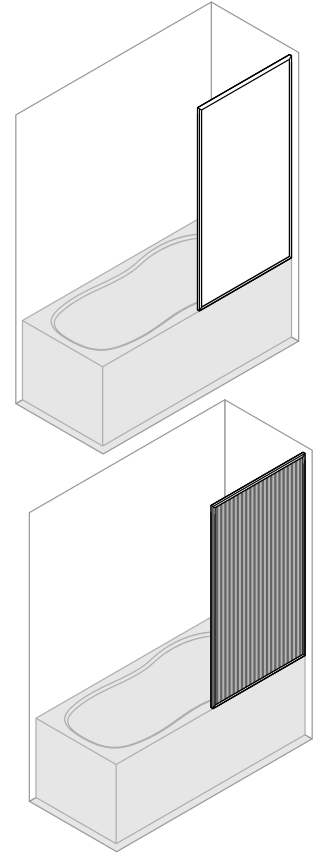


FIXED FRAME TUB SCREEN WITH CLEAR GLASS

PRODUCT FEATURES

- Fixed glass panel creates an open tub shower area
- Reversible left or right side installation
- ANSI Z97.1 and 16 CFR 1201-certified clear tempered glass
- Vertical and bottom rail support ensures wall anchoring and reinforces wall stability
- Full length vertical, top and bottom clear seals keep the shower watertight between the glass screen and structural rails
- Quality 304-series stainless steel constructed hardware in a premium finish guaranteed to never rust



CERTIFICATE + WARRANTY

ANSI 297.1 and 16 CFR 1201-certified glass



REGISTER YOUR PRODUCT

In order to activate your warranty, you must register your product.



vigoindustries.com/register

SAFETY PRECAUTIONS

This installation guide uses the following symbols to indicate important information. Always observe the instructions indicated by these symbols.

WARNING

Instructions that, if ignored, could result in death or serious personal injury caused by incorrect handling or installation of the product. These instructions must be observed for safe installation.

IMPORTANT

Maintenance and other important non-personal injury and non-material damage instructions or statements that should be observed.

IT IS HIGHLY ADVISED TO DRY FIT THE UNIT PRIOR TO ANY INSTALLATION.

Dimensions



Model	Dimension A	Height	Fixed Panel
Tub Screen	34 1/8"	62"	33 3/4" x 61 3/4"

- Tilebar strongly recommends this installation be completed by a licensed professional. Installation of door unit requires at least two people.
- Dimension A was measured after shower enclosure was completely installed.

Important

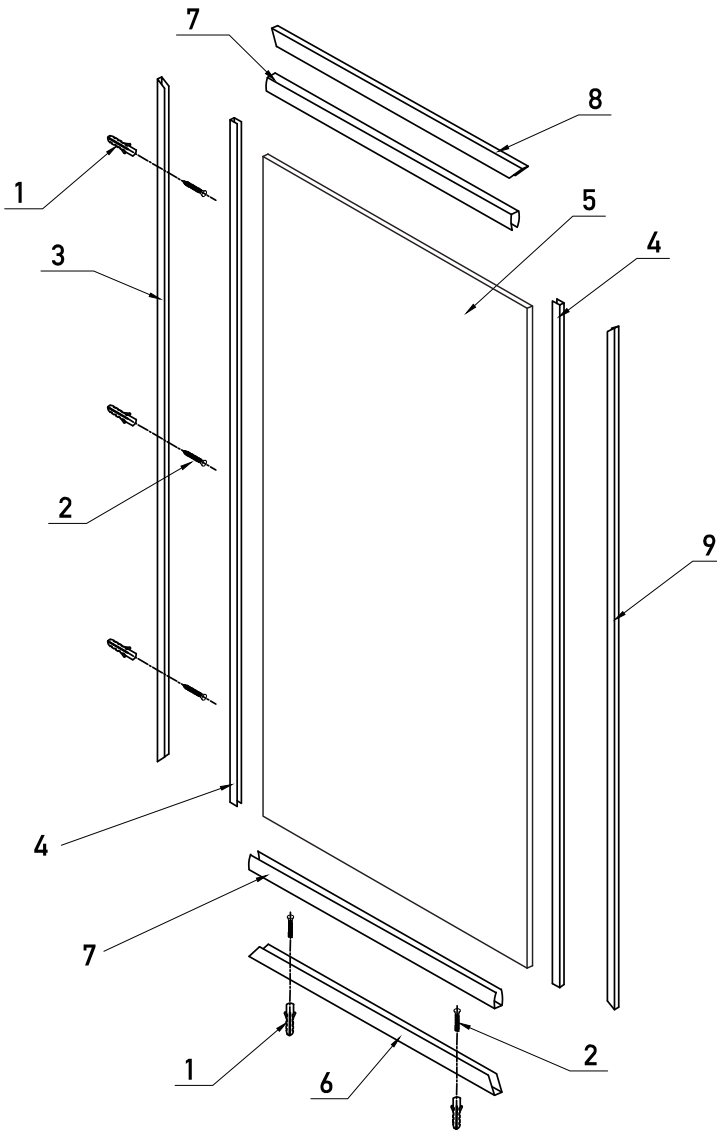
- Handle fragile items with care to prevent personal injury or material damage.
- The glass panels are tempered and cannot be cut. Never attempt to do so.
- Always rest glass on a level surface.

Important / Importante / Important

Fiberglass, acrylic or sheetrock construction might not be sufficiently strong enough to support shower door enclosure. You should use wood framing from behind the face edge of the stall to provide a secure mounting to the door. Apply a bead of silicone between the walls and base of the stall. For optimum performance, you should install the shower door perfectly level on a level surface. By not leveling the unit during construction the unit may leak causing possible water damage.

PLEASE READ INSTRUCTIONS BEFORE PROCEEDING

Parts List



- 1 White Plastic Anchors (x5)
- 2 Hex Screw 1 5/8" (x5)
- 3 Vertical Wall Rail (x1)
- 4 Vertical Rail Seal Strip (x2)
- 5 Fixed Panel (x1) *Clear glass or fluted glass
- 6 Bottom Rail (x1)
- 7 Bottom Rail and Top Rail Seal Strip (x2)
- 8 Top Rail (x1)
- 9 Outer Vertical Rail (x1)

GLASS THICKNESS 3/8"

NOTE: INSTALLATION MUST BE DONE BY A QUALIFIED, LICENSED PROFESSIONAL.

Parts List

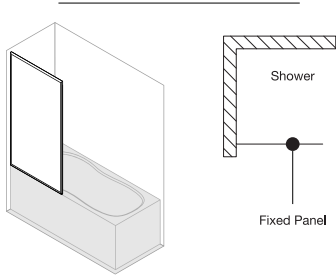
<p>Plastic Anchor</p> <p>98038</p>	<p>Hex Screw 1 1/2"</p> <p>98039</p>	<p>Vertical Wall Rail</p> <p>98174-62</p>	<p>Vertical Rail Seal Strip (Clear Glass)</p> <p>96029-62</p>	<p>Vertical Rail Seal Strip (Fluted Glass)</p> <p>96029FL-62</p>
<p>Bottom & Top Rail Seal Strip (Clear Glass)</p> <p>96029-33</p>	<p>Bottom & Top Rail Seal Strip (Fluted Glass)</p> <p>96029FL-33</p>	<p>Top Rail</p> <p>98177</p>	<p>Bottom Rail</p> <p>98176</p>	<p>Outer Vertical Rail</p> <p>98175-62</p>
<p>Fixed Panel - Clear Glass</p> <p>97046CL-3462</p>	<p>Fixed Panel - Fluted Glass</p> <p>97046FL-3462</p>			

Recommended Tools

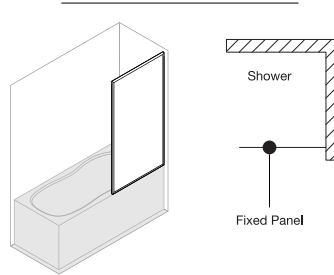
<p>Assorted screwdrivers</p>	<p>Electric drill</p>	<p>Ø1/4" and Ø5/16" drill bit (depending on wall)</p>	<p>Level</p>	<p>Shims (not included)</p>
<p>Measuring tape</p>	<p>Pencil (non-permanent)</p>	<p>Clear silicone caulking</p>	<p>Utility knife</p>	<p>Heavy duty gloves</p>

Prior to Installation

Left Installation

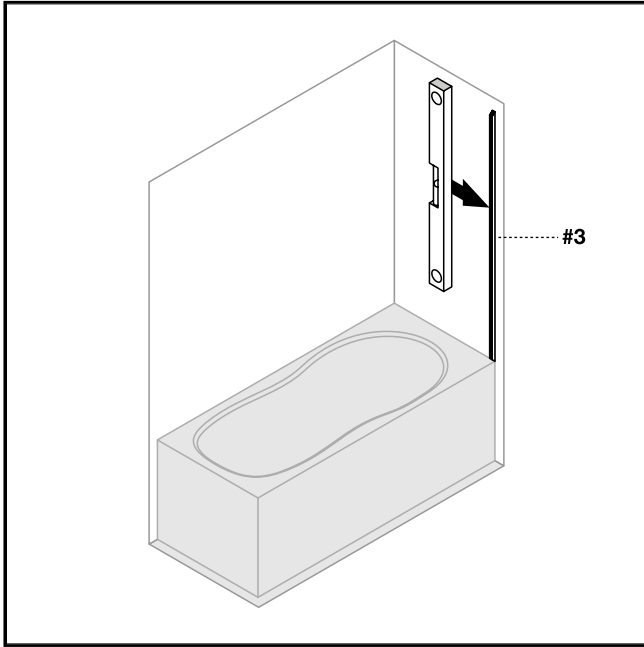


Right installation



- Compare items on your invoice with what you have received. Carefully review Parts List on page 3
 - Remove the plastic layer from the base (if needed). Do not remove the plastic layer off plastic platform of the base .
 - Properly apply silicone to the wall and base joints.
 - To prevent damage to the finish, shield the shower bottom with a cardboard protector before beginning the installation.
 - Ensure that there is sufficient structural support behind the shower wall to hold the weight of the fixed panel installation.
 - Fiberglass, acrylic or sheetrock construction may not be strong enough to support the fixed panel. Use the wood framing from behind the face edge of the stall to provide a secure mounting to the door. Apply a bead of silicone between the walls and base of the stall.
 - For optimum performance, install the fixed panel on a level surface.
 - Use heavy duty gloves during installation.
 - The design of this unit has open space in the back of the shower, leaving the potential for water leakage.
 - This clear glass model is reversible and can be installed to the right or left side.
-

Installation Steps

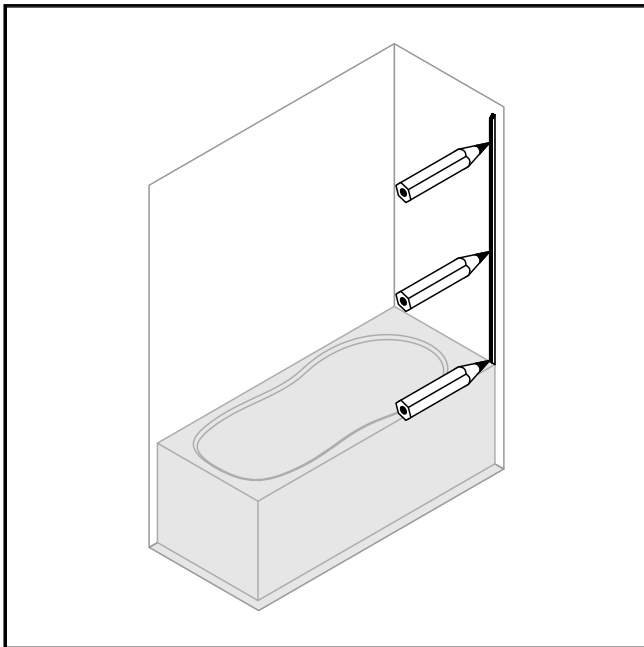


1.1

STEP 1

1.1) Installing the vertical rail

- Clean the vertical wall rail (#3) with rubbing alcohol.
- Place the vertical wall rail to the preferred configuration.
- Make sure the vertical rail is resting on the tub and is level.



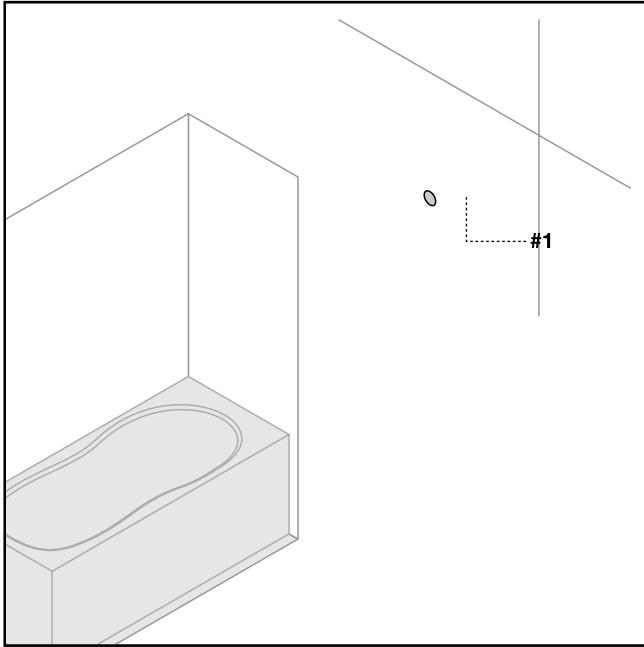
1.2

STEP 1.2

1.2) Installing the vertical rail

- Mark the center of the holes on the wall for the mounting screws.

Installation Steps

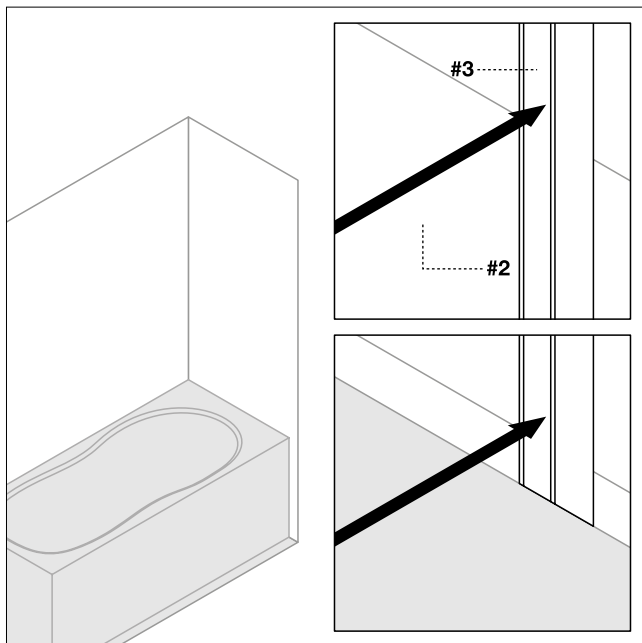


1.3

STEP 1.3

1.3) Installing the vertical rail

- Remove the vertical wall rail (#3)
- Drill holes in the wall where marked.
- Place plastic anchors (#1) inside the holes.



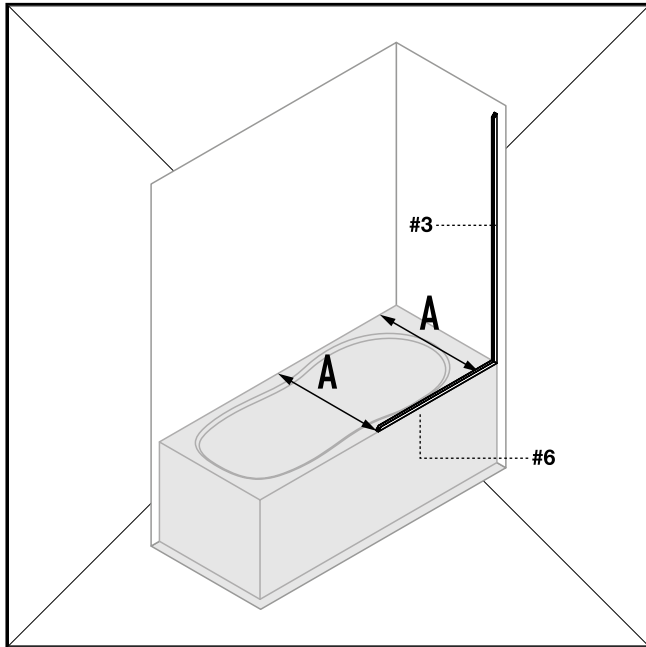
1.4

STEP 1.4

1.4) Installing the bottom rail

- Place the wall vertical rail (#3)
- Screw into the plastic anchors (#1) with 1-5/8" hex screws (#2)

Installation Steps

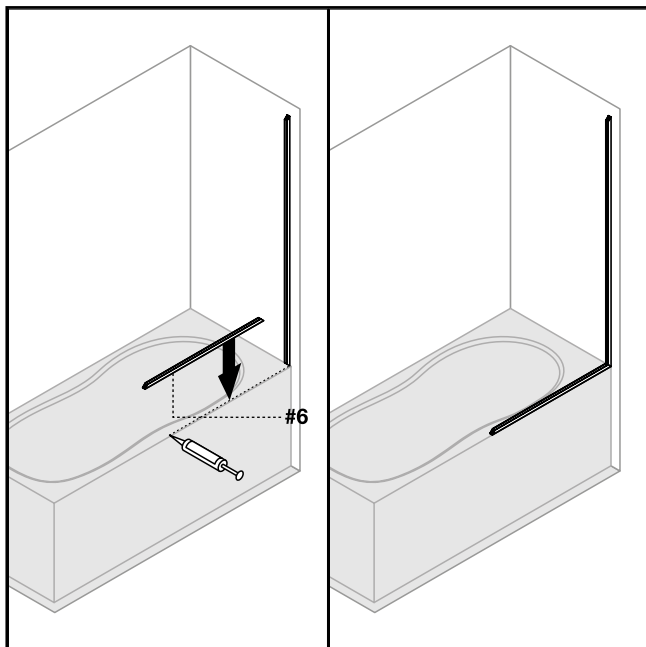


1.5

STEP 1.5

1.5) Installing the bottom rail

- Position the bottom rail (#6) on the tub, perpendicular to the vertical wall rail (#3).
- Both rails have a 45 degree angle to ensure a perfect connection.
- Make sure their edges meet. To be sure the bottom rail is straight measure the distance (#A) from each end to the back wall. They should be the same.



1.6

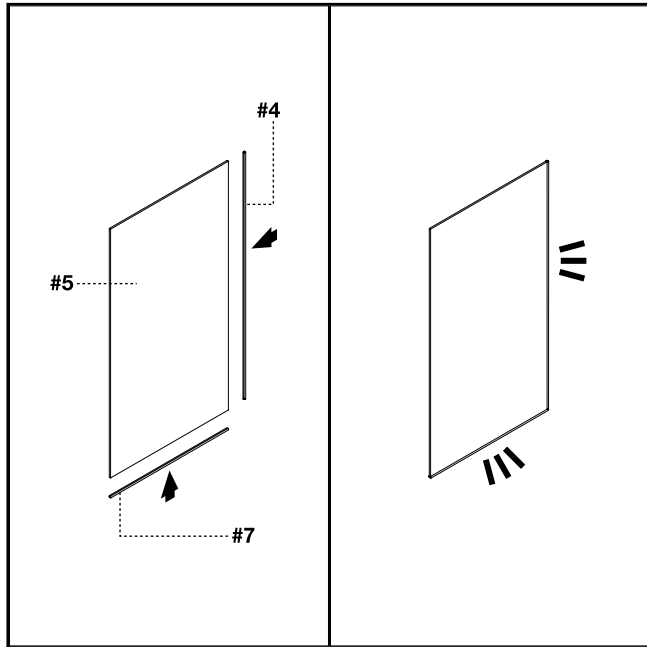
STEP 1.6

1.6) Installing the bottom rail

- Replace the bottom rail (#6)
- Apply epoxy to the bottom rail and attach it to the tub.

NOTE: We do not recommend drilling holes at the tub.

Installation Steps

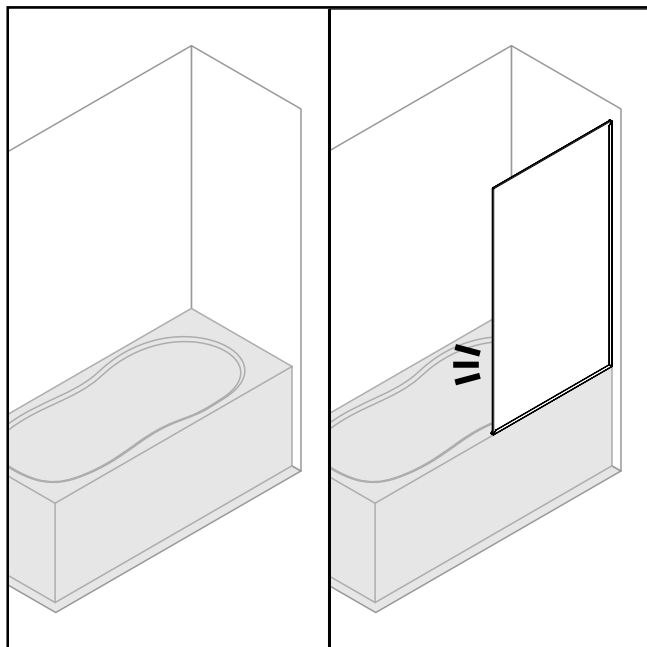


1.7

STEP 1.7

1.7) Installing the seal strips

- Clean the fixed panel (#5) with rubbing alcohol.
- Install the vertical rail seal strip (#4) and bottom rail seal strip (#7) to the fixed panel (#5).
- The top end of the seal strip (#4) should meet the top of the glass.
- The bottom end should leave a gap of 10mm from the bottom of the glass.



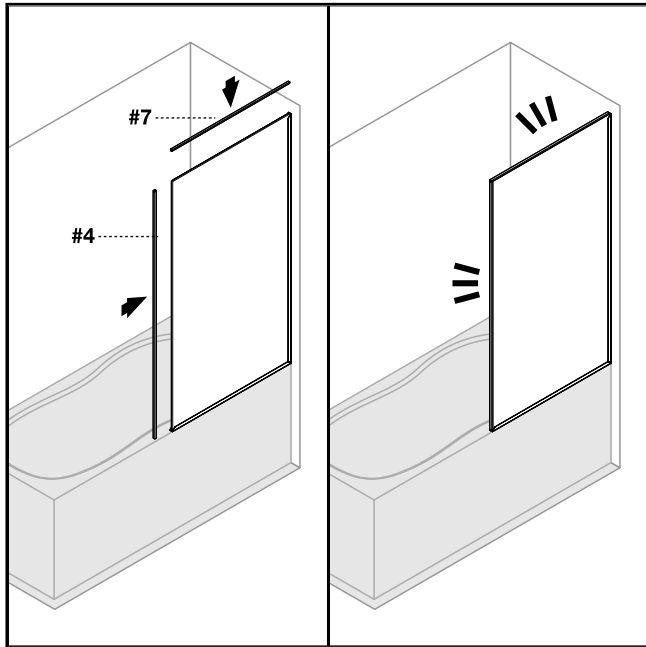
1.8

STEP 1.8

1.8) Installing the glass

- Insert the glass into the bottom rail and slide it into the vertical wall rail.

Installation Steps

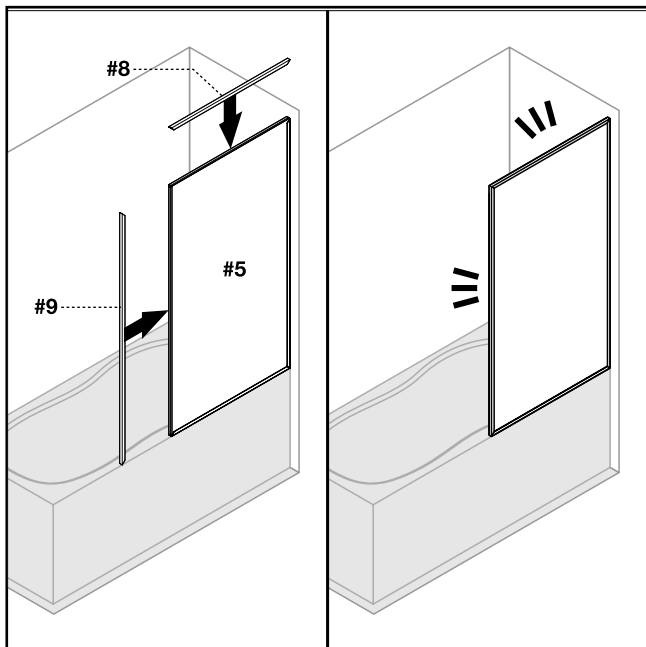


1.9

STEP 1.9

1.9) Installing the seal strips

- Place the top rail seal strip into the fixed panel (#7), then place the vertical seal strip (#4) into the fixed panel.



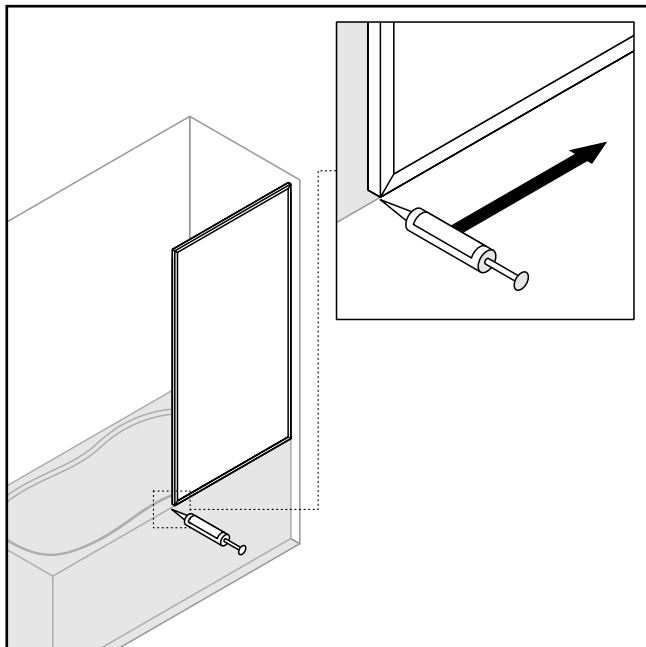
1.10

STEP 1.10

1.10) Install top rail and outer vertical rail

- Install the outer vertical rail (#9) to the fixed panel (#5) over the vertical rail seal strip (#4).
- All rails have a 45 degree angle to ensure a perfect connection. Make sure their edges meet.
- Install the top vertical rail (#8) to the fixed panel (#5) over the top rail seal strip (#7).
- All rails have a 45 degree angle to ensure a perfect connection. Make sure their edges meet.

Installation Steps



1.11

STEP 1.11

1.11) Apply Silicone

- Apply clear silicone caulking to the wall and the tub side of the fixed panel.