

# INSTALLATION GUIDE

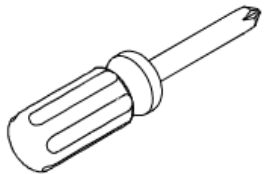
Kora Collection

To avoid scratches, scuffs, and other damages, do not assemble your vanity directly on the floor. Place a sheet of cardboard or another protective surface on the floor, and assemble your vanity on top of it. Always protect all surfaces from sharp objects, high heat sources, direct prolonged sunlight, and harsh chemicals.

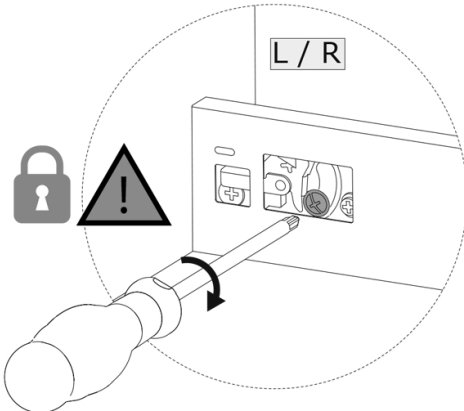
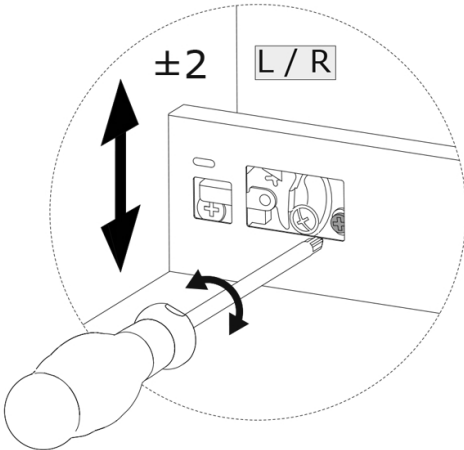
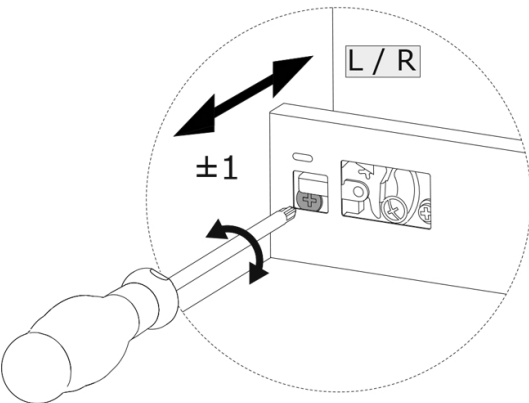
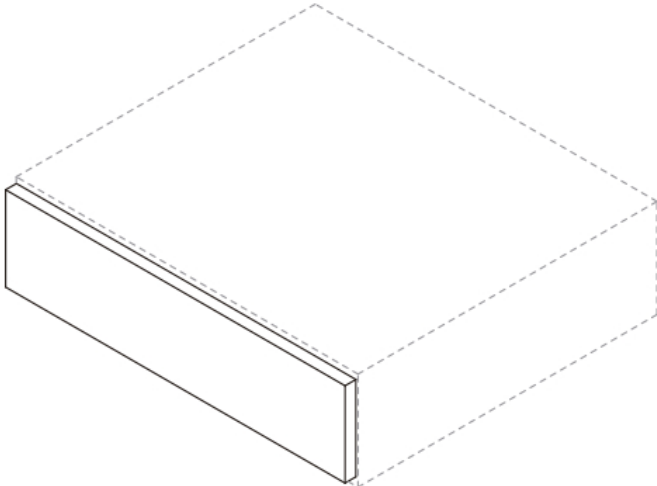
Professional installation is recommended.

## REQUIRED TOOLS

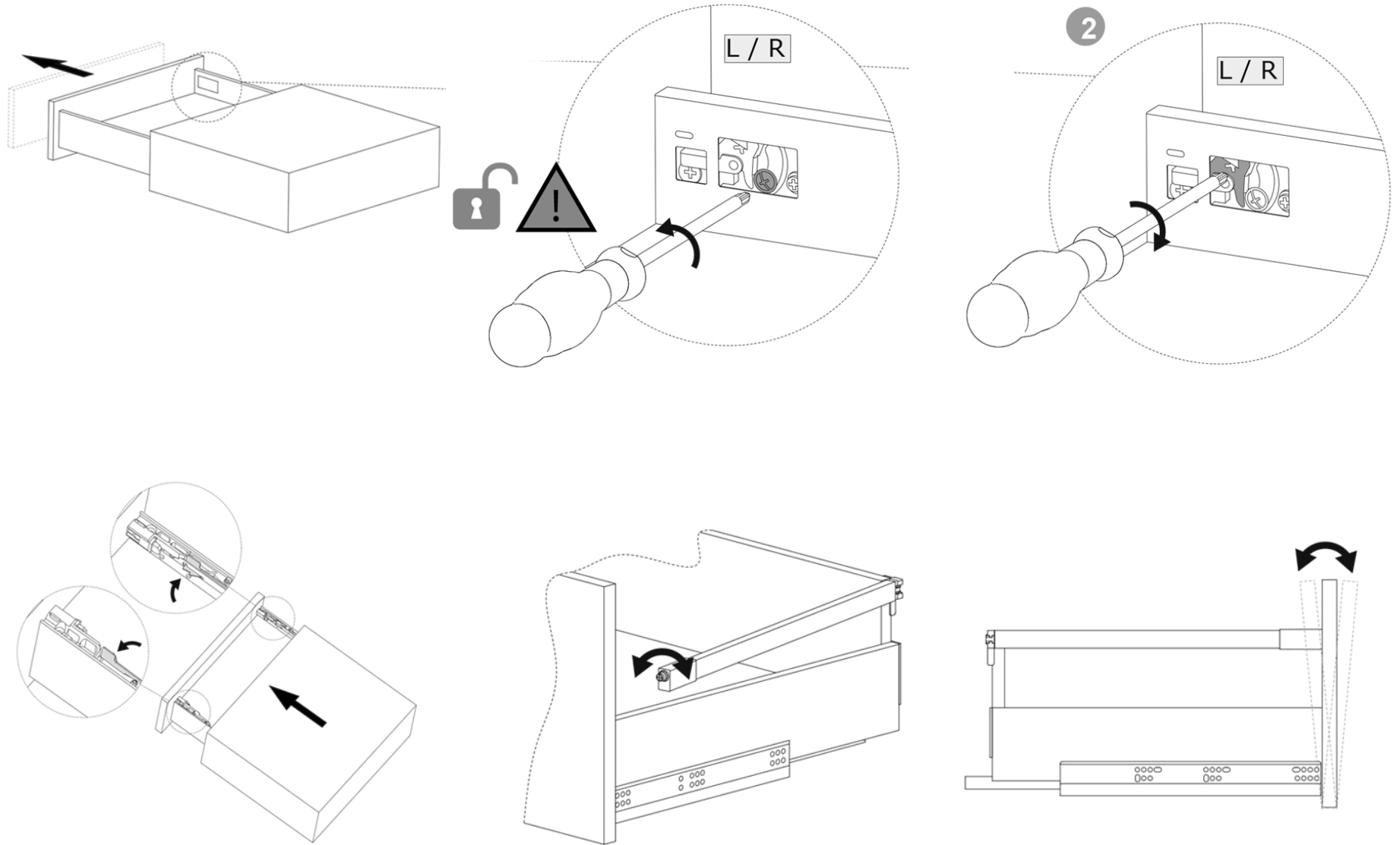
---



## DRAWER REGULATION

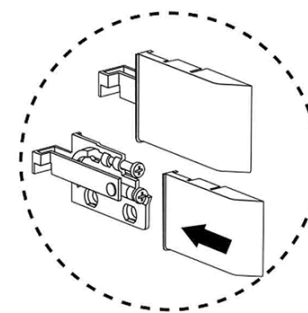
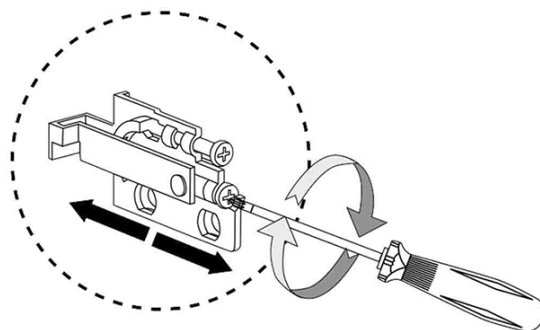
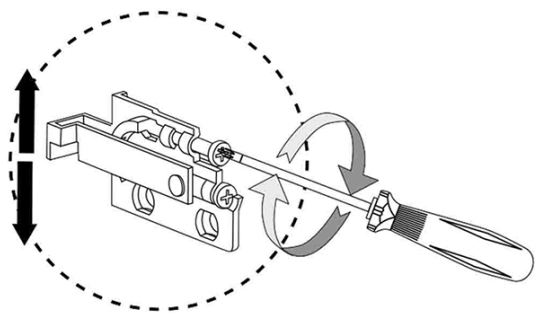


## DRAWER EXTRACTION



## HANGERS REGULATION

---



## HANGER PLACEMENT

---

