

Slim Trim

SlimTrim Technical Information & Applications*

SlimTrim

Our SlimTrim **3-in-1 Molding** functions as a Reducer, T-Molding, and End Cap. Comes with SlimTrack & Versatrack Shim for floors up to 1/4" (6.35mm) or dowels for floors up to 3/4" (19mm). See illustrations below for details.

Surface Material: High Wear Resistant Aluminum Oxide Laminate

Core Material: PVC

SlimTrack

To be used with SlimTrim for floors up to 1/8" (3mm) thickness. Also, used in conjunction with the Versatrack Shim for 1/8"-1/4"* (3-6.35mm). See illustrations below for details.

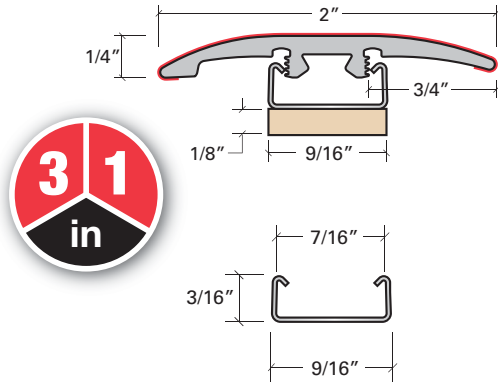
Material: Cold Roll Steel

* For floors thicker than 1/4" (6.35mm), use dowel installation

Dowel

To be used with SlimTrim for floors up to 3/4" (19mm). Comes as a tree of 8 dowels.

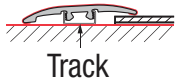
Material: Polystyrene



LVT Floors

1 Reducer:

Up to 1/4"
(0-6.35mm)**



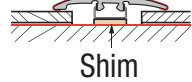
Track

2 Transition:

1/16 to 1/8"
(1.6-3mm)** 1/8-1/4"
(3-6.35mm)**



Track



Shim

3 End Cap:

(Hard Surface to Carpet)

Up to 1/4"
(0-6.35mm)**



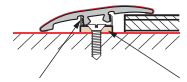
Track Shim Carpet Tap Down Trim

WPC Floors

1 SlimTrim-P29

as a Reducer

1/4-3/8"
(6.35-9.5mm)**

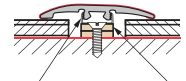


SlimTrack Shim

2 SlimTrim-P54

as a Transition

1/4-3/8"
(6.35-9.5mm)**

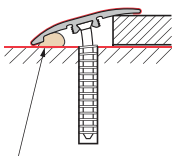


SlimTrack 2 Shims

Laminate Floors

1 Reducer:

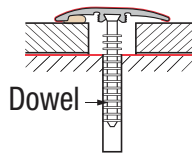
Up to 3/4"
(0-19mm)**



Must Be Glued to Non-Floating Surface

2 Transition:

Up to 3/4"
(0-19mm)**

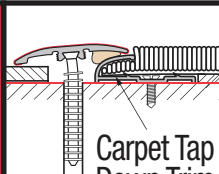


Dowel

3 End Cap: (Hard Surface to Carpet)

Up to 3/4"
(0-19mm)**

A Carpet Tap Down Trim** MUST be Used When Installing Slim Trim on Carpet



Carpet Tap Down Trim

*Sold at your local hardware store

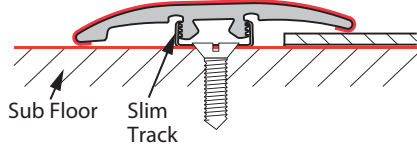
*The installation instructions shown on this page are suggestions of how to install our moldings. Versatrim does not assume responsibility for any product failure or liability due to installations that are in violation of the flooring manufacturer's installation guidelines and/or warranties.

**All references to flooring thickness refer to the total thickness of all members of the floor installation being laid upon the subfloor. This typically is comprised of the flooring plank, e.g. Vinyl or Laminate, the underlayment, either attached or loose lay and any additional vapor barriers.

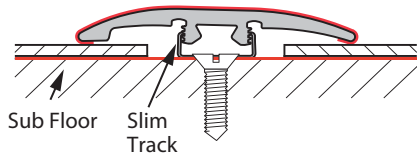
Vinyl Floors

For 2.5 mm Vinyl Floors**

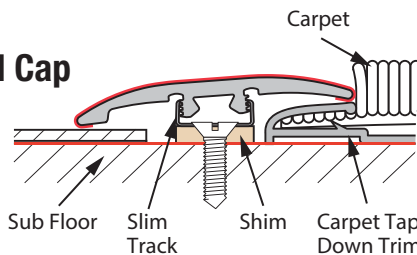
SlimTrim as a Reducer



SlimTrim as a Transition

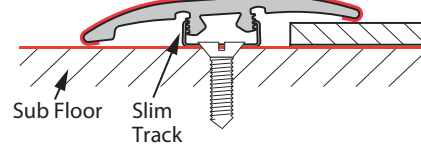


SlimTrim as an End Cap

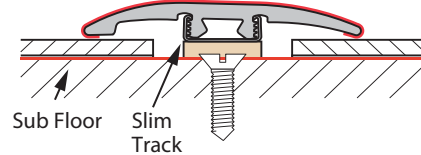


For 4.5 mm Vinyl Floors**

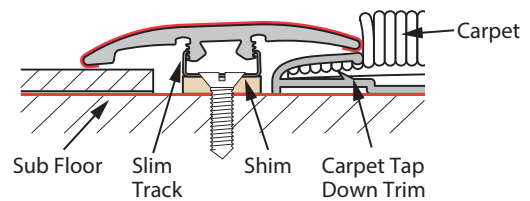
SlimTrim as a Reducer



SlimTrim as a Transition

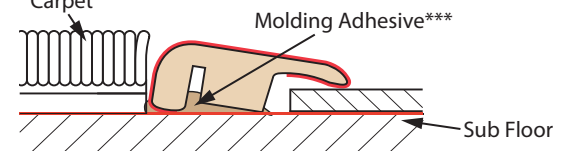


SlimTrim as an End Cap



OR

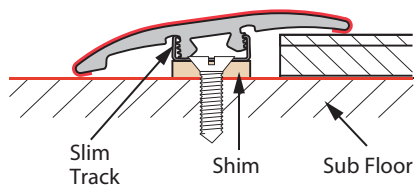
Moisture Proof End Cap



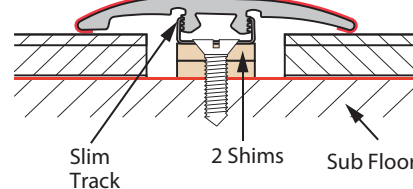
WPC Floors

For 6.35 - 9.5 mm WPC/LVT Floors**

SlimTrim-P29 as a Reducer



SlimTrim-P54 as a Transition



*The installation instructions shown on this page are suggestions of how to install our moldings. Versatrim does not assume responsibility for any product failure or liability due to installations that are in violation of the flooring manufacturer's installation guidelines and/or warranties.

**All references to flooring thickness refer to the total thickness of all members of the floor installation being laid upon the subfloor. This typically is comprised of the flooring plank, e.g. Vinyl or Laminate, the underlayment, either attached or loose lay and any additional vapor barriers.

*** For more information, go to: versatrim.com/molding-adhesive

SlimTrim as a REDUCER

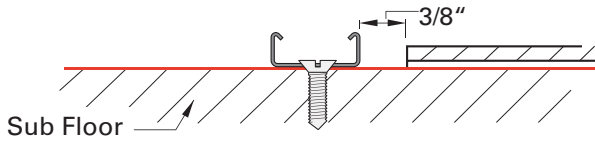
Use SlimTrack (Metal Track) for up to 6.35 mm floors.



Up to 1/4" (6.35 mm) Floors

**If the flooring manufacturer suggests/permits the use of underpayments, you may need to shim the track to accommodate the increase in overall thickness*

This end of the SlimTrim MUST be placed on the lower of the two surfaces.



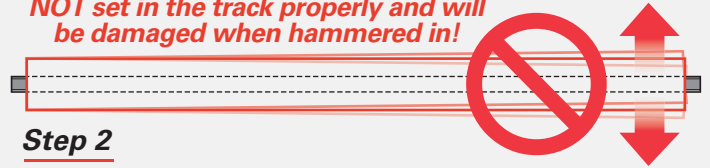
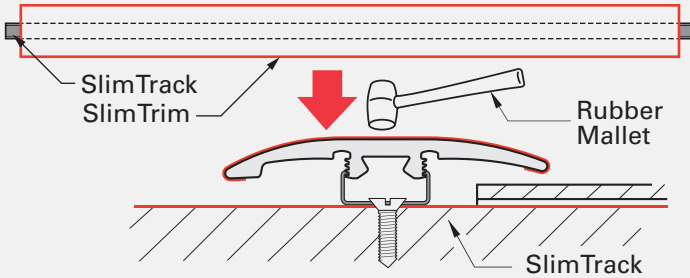
Step 1

Install the flooring plank*. Then place the SlimTrack 3/8" from the floor and screw it to the sub-floor using #6 screws.



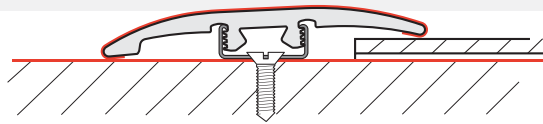
IMPORTANT: Rock SlimTrim back & forth to make sure it is sitting inside the track BEFORE hammering in!

If SlimTrim wiggles back and forth, it is NOT set in the track properly and will be damaged when hammered in!



Step 2

Line the SlimTrim molding up with the SlimTrack and fit one end into the molding. Using a rubber mallet, tap the molding until it engages with the track. **Use your hand to guide the molding into the track as you work your way down**, tapping it in, similar to how you would close a zip-loc bag.



Step 3

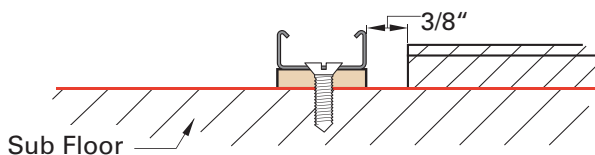
Next, go up and down the molding several times, tapping the Slim Trim all the way into the track. You can use a little more force once you are sure it is properly engaged in the track.

Use SlimTrack & Versatrack Shim for 6.35-9.5 mm floors. Use the same molding & track, just add Versatrack Shim.



For 6.35 - 9.5mm WPC/LVT Floors

This end of the SlimTrim MUST be placed on the lower of the two surfaces.



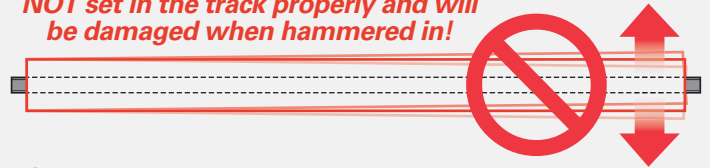
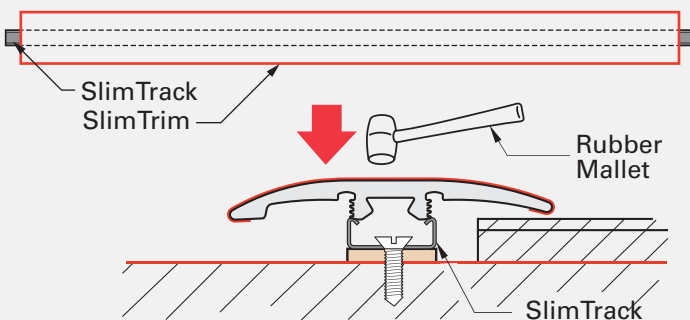
Step 1

Install the flooring plank*. Then place the SlimTrack & Shim 3/8" from the floor and screw it to the sub-floor using #6 screws.



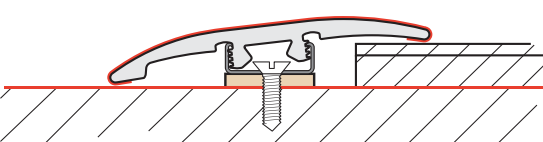
IMPORTANT: Rock SlimTrim back & forth to make sure it is sitting inside the track BEFORE hammering in!

If SlimTrim wiggles back and forth, it is NOT set in the track properly and will be damaged when hammered in!



Step 2

Line the SlimTrim molding up with the SlimTrack and fit one end into the molding. Using a rubber mallet, tap the molding until it engages with the track. **Use your hand to guide the molding into the track as you work your way down**, tapping it in, similar to how you would close a zip-loc bag.



Step 3

Next, go up and down the molding several times, tapping the Slim Trim all the way into the track. You can use a little more force once you are sure it is properly engaged in the track.

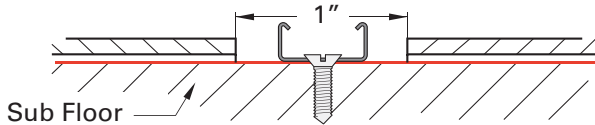
SlimTrim as a TRANSITION (T-MOLDING)

Use SlimTrack (Metal Track) for 1.6 - 3 mm floors.



1/16 to 1/8" (1.6-3 mm) Floors

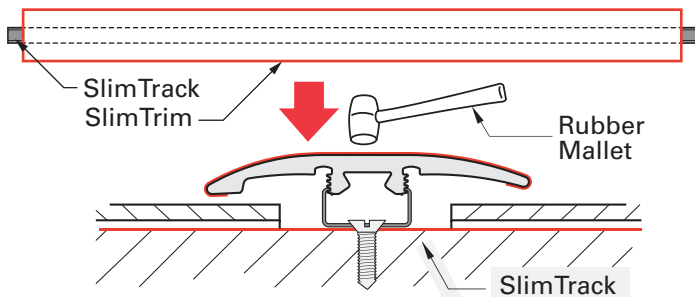
**If the flooring manufacturer suggests/permits the use of underlayments, you may need to shim the track to accommodate the increase in overall thickness*



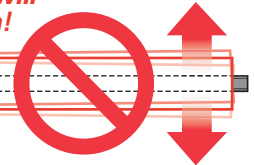
Step 1

Install the flooring planks* by leaving a 1" inch (25mm) gap for the installation of the SlimTrim. Center the SlimTrack between the two laminate floors and screw it to the sub floor by using #6 screws.

IMPORTANT: Rock SlimTrim back & forth to make sure it is sitting inside the track BEFORE hammering in!

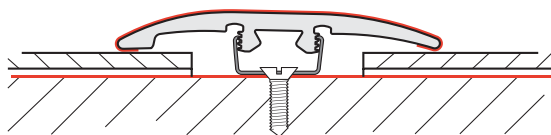


If SlimTrim wiggles back and forth, it is NOT set in the track properly and will be damaged when hammered in!



Step 2

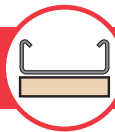
Line the SlimTrim molding up with the SlimTrack and fit one end into the molding. Using a rubber mallet, tap the molding until it engages with the track. **Use your hand to guide the molding into the track as you work your way down**, tapping it in, similar to how you would close a zip-loc bag.



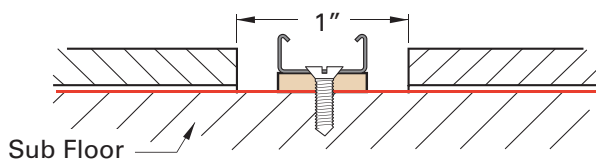
Step 3

Next, go up and down the molding several times, tapping the Slim Trim all the way into the track. You can use a little more force once you are sure it is properly engaged in the track.

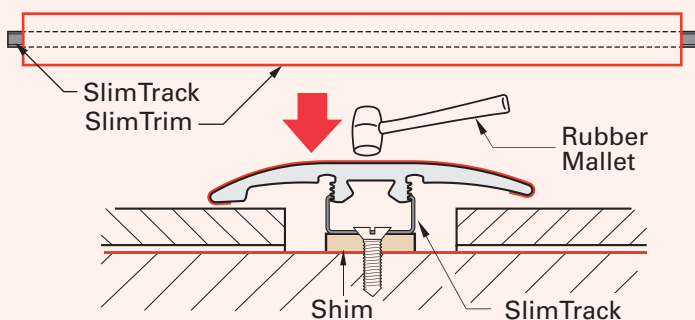
Use SlimTrack & Versatrack Shim for 4-6.35 mm floors. Use the same molding & track, just add Versatrack Shim.



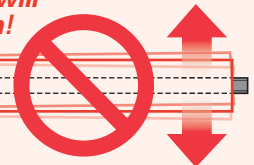
1/8 to 1/4" (3-6.35 mm) Floors



IMPORTANT: Rock SlimTrim back & forth to make sure it is sitting inside the track BEFORE hammering in!

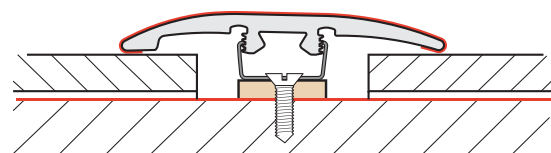


If SlimTrim wiggles back and forth, it is NOT set in the track properly and will be damaged when hammered in!



Step 2

Line the SlimTrim molding up with the SlimTrack and fit one end into the molding. Using a rubber mallet, tap the molding until it engages with the track. **Use your hand to guide the molding into the track as you work your way down**, tapping it in, similar to how you would close a zip-loc bag.



Step 3

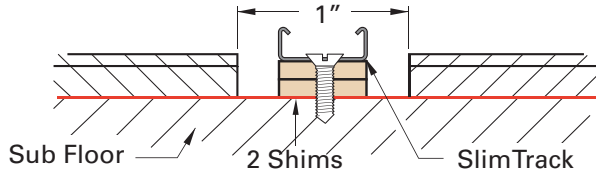
Next, go up and down the molding several times, tapping the Slim Trim all the way into the track. You can use a little more force once you are sure it is properly engaged in the track.

SlimTrim as a TRANSITION (T-MOLDING)

Use SlimTrack & 2 Versatrack Shims for 6.35-9.5 mm floors.
Use the same molding & track, just add Versatrack Shim.



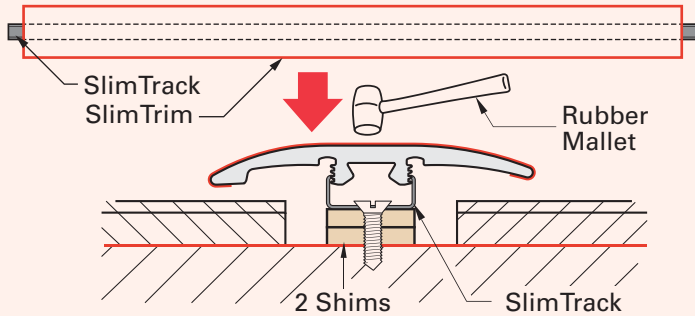
For 6.35 - 9.5 mm WPC/LVT Floors



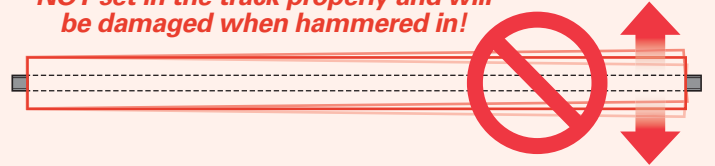
Step 1

Install the flooring planks by leaving a 1" inch (25mm) gap for the installation of the SlimTrim. Center the SlimTrack and the 2 Shims between the two laminate floors and screw them to the sub floor by using #6 screws.

IMPORTANT: Rock SlimTrim back & forth to make sure it is sitting inside the track BEFORE hammering in!

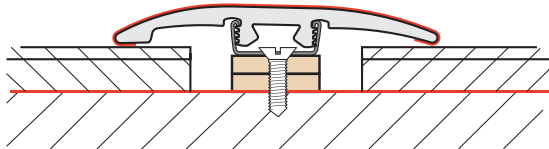


If SlimTrim wiggles back and forth, it is NOT set in the track properly and will be damaged when hammered in!



Step 2

Line the SlimTrim molding up with the SlimTrack and fit one end into the molding. Using a rubber mallet, tap the molding until it engages with the track. **Use your hand to guide the molding into the track as you work your way down,** tapping it in, similar to how you would close a zip-loc bag.

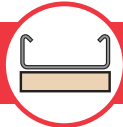


Step 3

Next, go up and down the molding several times, tapping the Slim Trim all the way into the track. You can use a little more force once you are sure it is properly engaged in the track.

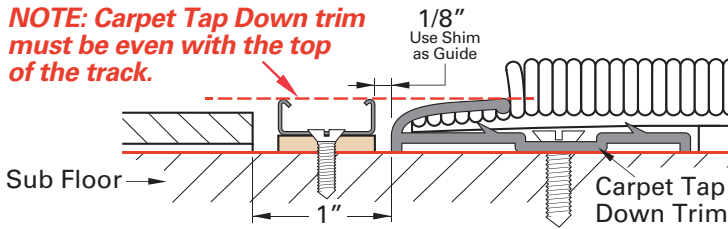
SlimTrim as an END CAP

Use SlimTrack & Versatrack Shim for up to 6.35 mm floors.
Use the same molding & track, just add Versatrack Shim.



Up to 1/4" (0-6.35 mm) Floors

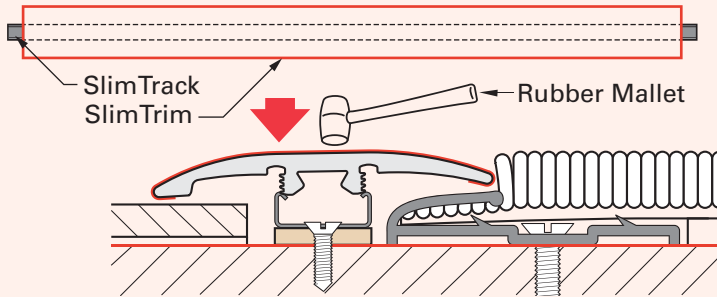
NOTE: Carpet Tap Down trim must be even with the top of the track.



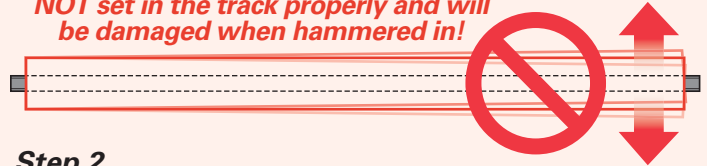
Step 1

Install the flooring plank and carpet (using a carpet tap down trim) by leaving a 1" inch (25mm) gap for the installation of the SlimTrim. Position the track 3/4" from where the of the Tap Down trim meets the carpet and screw them to the sub floor by using #6. The carpet tap down trim must be even with the top of the track.

IMPORTANT: Rock SlimTrim back & forth to make sure it is sitting inside the track BEFORE hammering in!



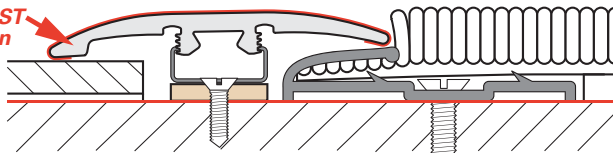
If SlimTrim wiggles back and forth, it is NOT set in the track properly and will be damaged when hammered in!



Step 2

Line the SlimTrim up with the track and fit one end into the molding. Using a rubber mallet, tap the molding until it engages with the track. **Use your hand to guide the molding into the track as you work your way down**, tapping it in, similar to how you would close a zip-loc bag.

This end MUST be placed on the lower surface

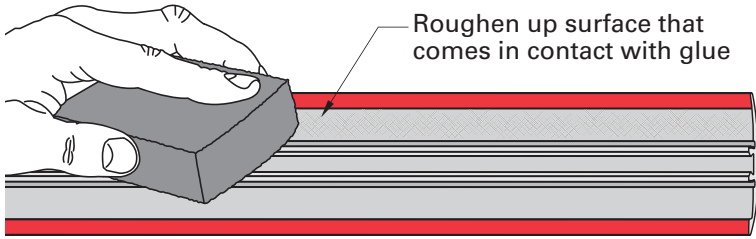


Step 3

Next, go up and down the molding several times, tapping the SlimTrim all the way into the track. You can use a little more force once you are sure it is properly engaged in the track.

SlimTrim as a TRANSITION - OPTIONAL DOWEL INSTALLATION

NOTE: SlimTrim Dowels are sold separately. Please contact your Sales Representative to order.



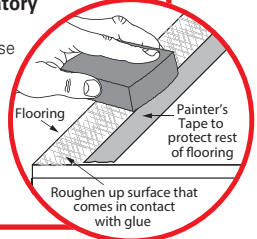
Step 1

Install your flooring planks (See Step 3). Clean flooring and molding as directed below:

CLEANING PREPARATION FOR BOTH SURFACES

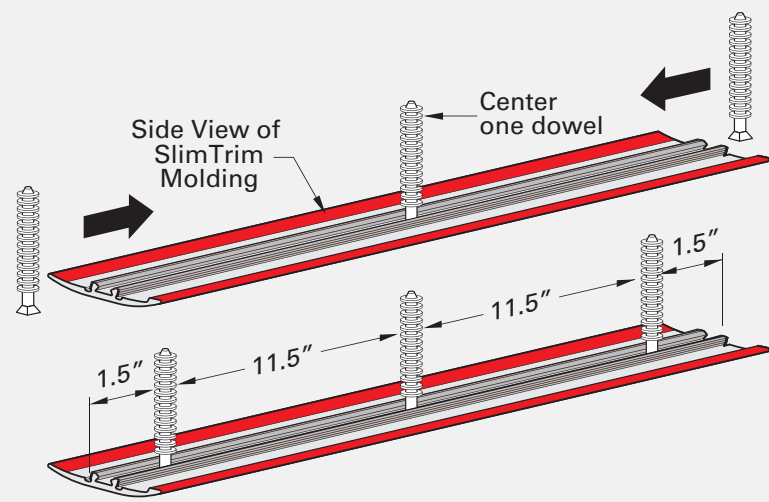
Preparing the floor & molding as outlined is mandatory to achieve the required bonding strength

1. Use a damp cloth (water only) to clean both surfaces of loose particles or surface films.
2. Roughen the surfaces with sandpaper (100-150 grit), sanding sponge or metal brush. For flooring, only roughen up area that will be covered (1.25" to 1.5").
3. Degrease both surfaces to remove all traces of oil, grease, dust, and fingerprints by using a solvent such as methyl ethyl ketone (MEK), acetone or isopropyl alcohol.
4. Let both surfaces dry thoroughly before applying adhesive.

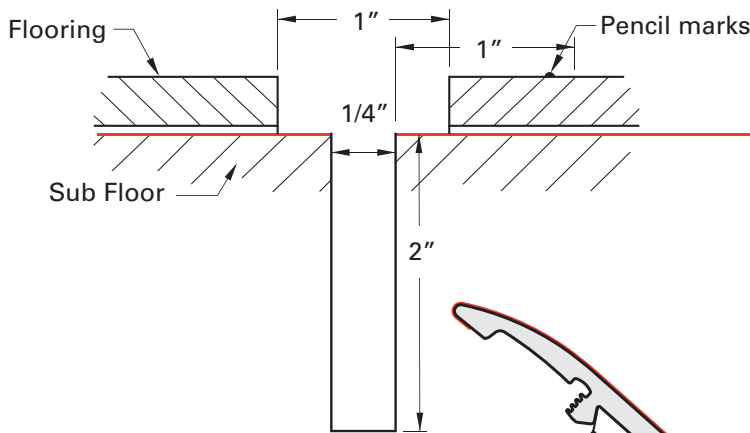
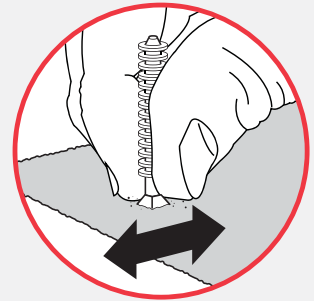


Step 2

Each dowel tree (sold separately), contains 8 dowels. Carefully cut or break dowels off of tree. Slide one dowel into molding groove and position in center of molding. Insert additional dowels from both ends. Space dowels 11.5" apart and 1.5" from ends.



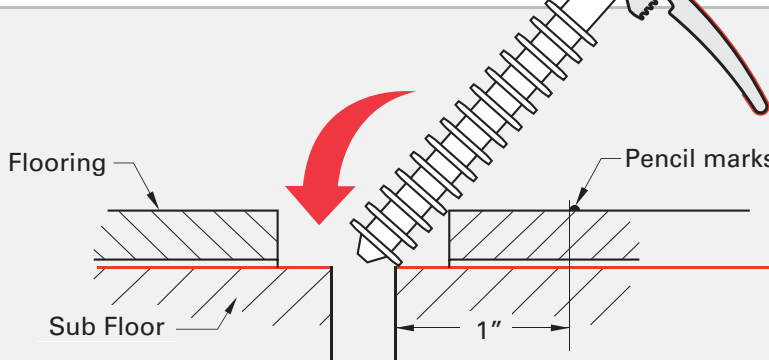
NOTE: Dowels have to fit tightly for the molding to function properly. If you find the dowel is too difficult to slide in, take 100/120 grit sandpaper, lay it flat on a surface and sand down the dowel head slightly with a couple of passes.



Step 3

Install the flooring planks, by leaving a 1" inch (25mm) gap for the installation of the molding. Draw a line on the flooring for the placement of the molding. Using a 1/4" drill bit, pre-drill holes into the flooring 2" deep. Be sure to use the same measurements as the dowels, keeping the holes 11.5" apart. With a pencil, mark on the floor where each dowel is located (You will need these for Step 7). Pencil marks should be about 1" from the pre-drilled holes.

NOTE: Be sure to vacuum pre-drilled holes.

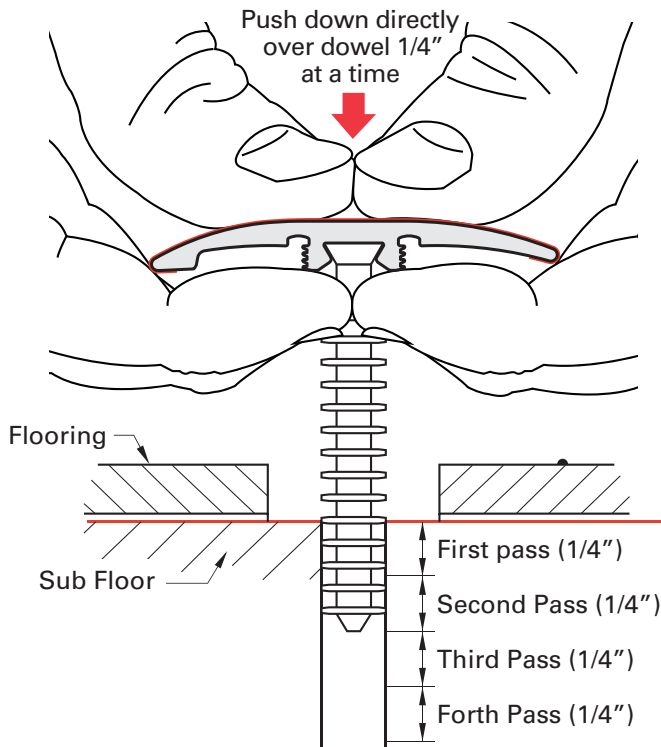


This end of the SlimTrim MUST be placed on the lower of the two surfaces.

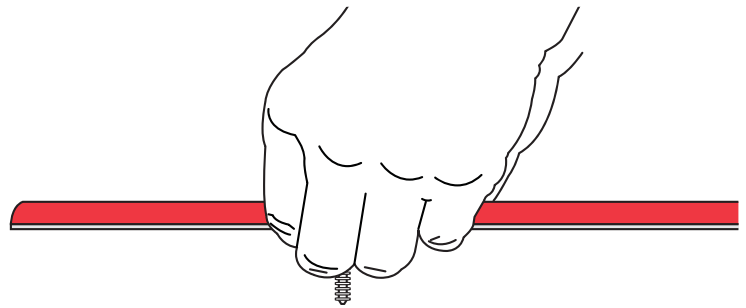
Step 4

Carefully line up dowels with pre-drilled holes. Make adjustments to the dowel positions on the molding if needed.

SlimTrim as a TRANSITION - OPTIONAL DOWEL INSTALLATION



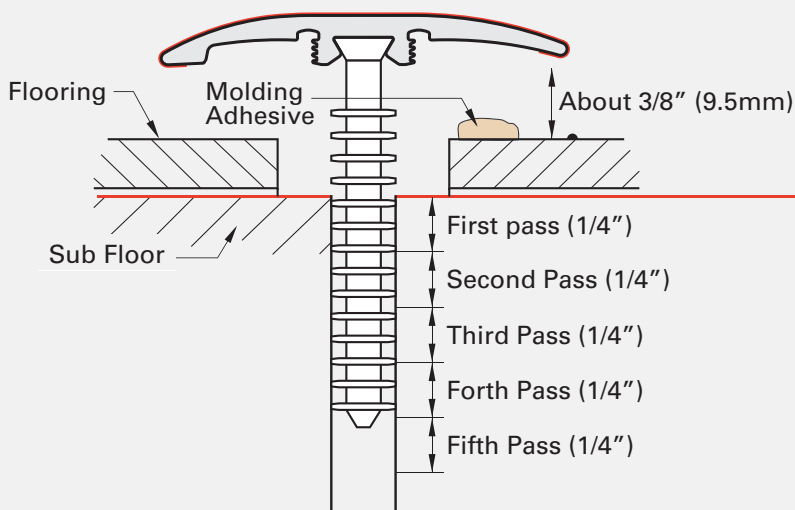
Side View of Hand Positions



NOTE: Do not try to push the entire molding in all at once by just pressing it in from top! This will bend the dowels.

Step 5

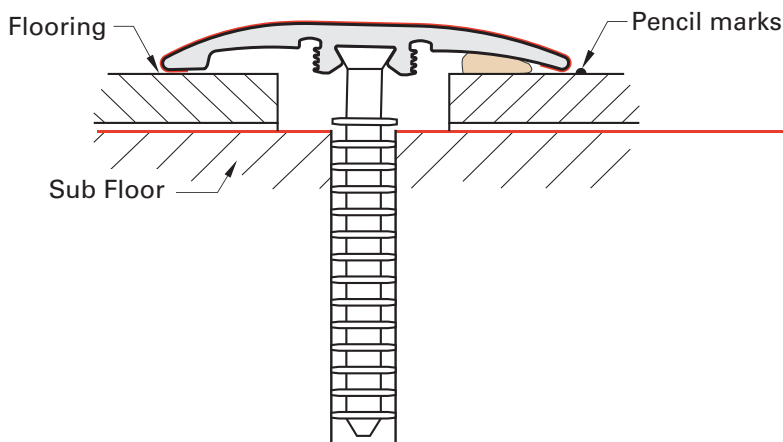
Using both hands, start at one end and gently push molding 1/4" down. Make sure dowel is straight and that you apply pressure directly over dowel. The best position is to hold dowel with pointer and middle fingers and push down with thumbs. Moving down the molding again, push the dowels in the floor 1/4" at a time. It should take several passes to push the molding all the way down.



Step 6

Once molding is about a finger's width from the floor (about 3/8" or 9.5 mm), insert the tip of a glue gun under 1 edge of the molding. Apply **Versatrim's Molding Adhesive*** along 1 side of the flooring.

NOTE: Make sure you apply adhesive to **ONLY 1 side of the molding** and that all surfaces that the adhesive touches is dust and debris free.

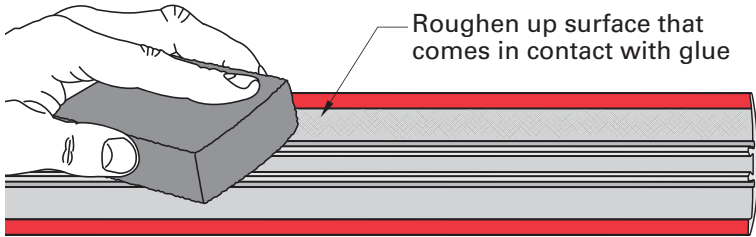


Step 7

When finished applying adhesive, start again at the beginning of the molding and push dowels all the way in until molding is secure. Once molding is in place, use a rubber mallet to tap on the top of each dowel. Use the pencil marks to reference where each dowel is located.

SlimTrim as a REDUCER - OPTIONAL DOWEL INSTALLATION

NOTE: SlimTrim Dowels are sold separately. Please contact your Sales Representative to order.



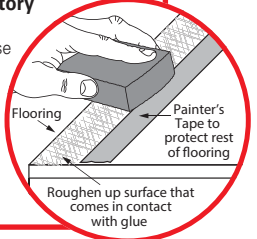
Step 1

Install your flooring planks (See Step 3). Clean flooring and molding as directed below:

CLEANING PREPARATION FOR BOTH SURFACES

Preparing the floor & molding as outlined is mandatory to achieve the required bonding strength

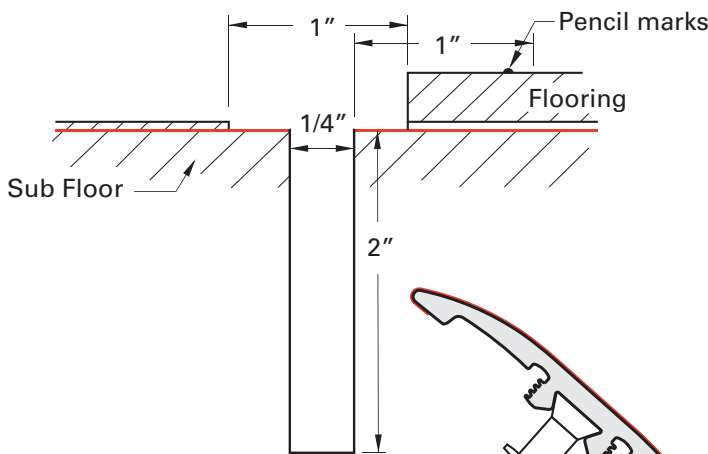
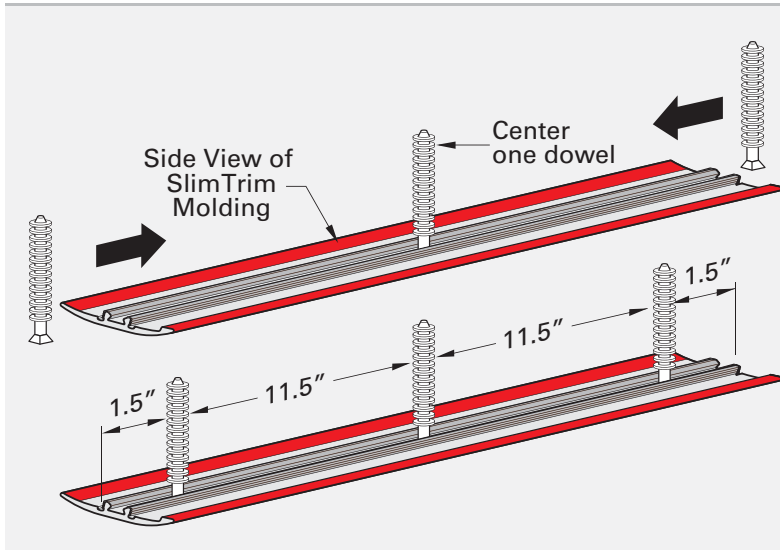
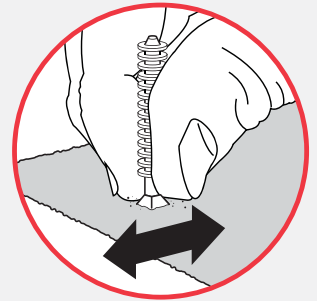
1. Use a damp cloth (water only) to clean both surfaces of loose particles or surface films.
2. Roughen the surfaces with sandpaper (100-150 grit), sanding sponge or metal brush. For flooring, only roughen up area that will be covered (1.25" to 1.5").
3. Degrease both surfaces to remove all traces of oil, grease, dust, and fingerprints by using a solvent such as methyl ethyl ketone (MEK), acetone or isopropyl alcohol.
4. Let both surfaces dry thoroughly before applying adhesive.



Step 2

Each dowel tree (sold separately), contains 8 dowels. Carefully cut or break dowels off of tree. Slide one dowel into molding groove and position in center of molding. Insert additional dowels from both ends. Space dowels 11.5" apart and 1.5" from ends.

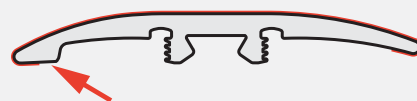
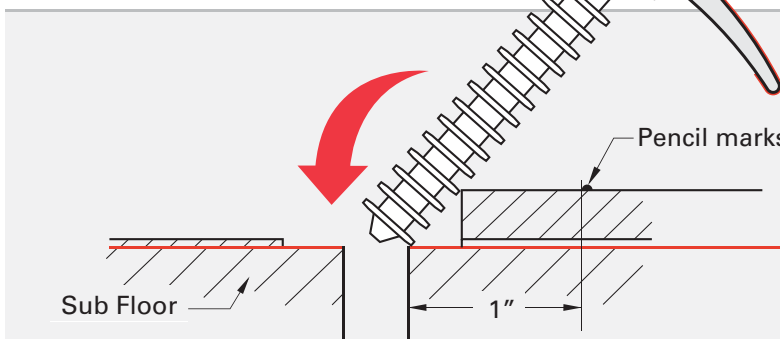
NOTE: Dowels have to fit tightly for the molding to function properly. If you find the dowel is too difficult to slide in, take 100/120 grit sandpaper, lay it flat on a surface and sand down the dowel head slightly with a couple of passes.



Step 3

Install the flooring planks*, by leaving a 1" inch (25mm) gap for the installation of the molding. Draw a line on the flooring for the placement of the holes. Using a 1/4" drill bit, pre-drill holes into the flooring 2" deep. Be sure to use the same measurements as the dowels, keeping the holes 11.5" apart. With a pencil, mark on the floor where each dowel is located (You will need these for Step 7). Pencil marks should be about 1" from the pre-drilled holes.

NOTE: Be sure to vacuum pre-drilled holes.

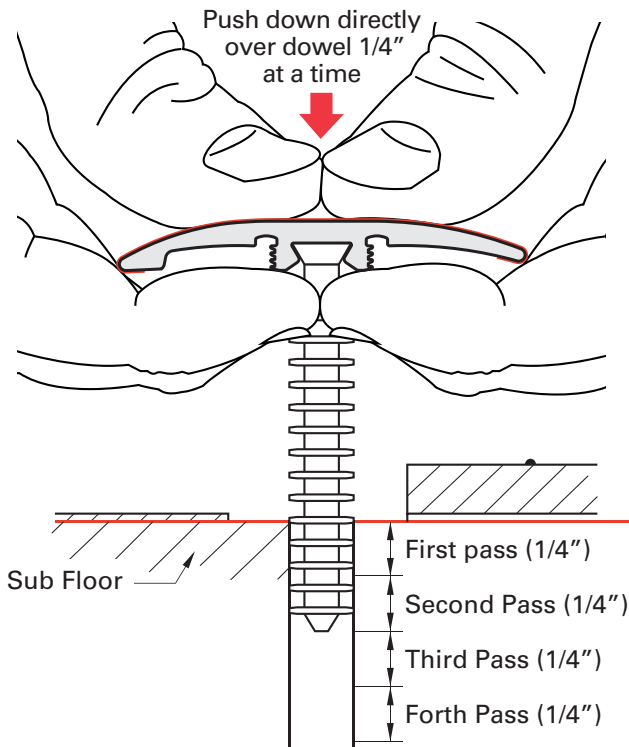


This end of the SlimTrim MUST be placed on the lower of the two surfaces.

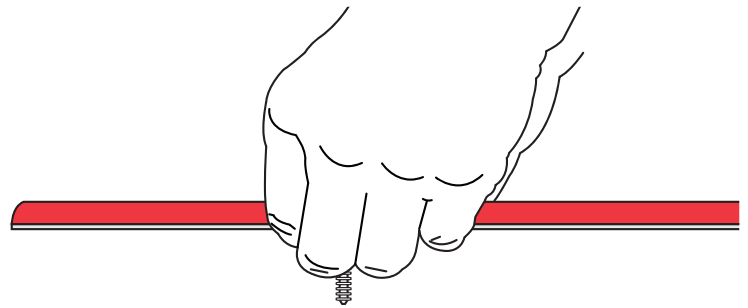
Step 4

Carefully line up dowels with pre-drilled holes. Make adjustments to the dowel positions on the molding if needed.

SlimTrim as a REDUCER - OPTIONAL DOWEL INSTALLATION



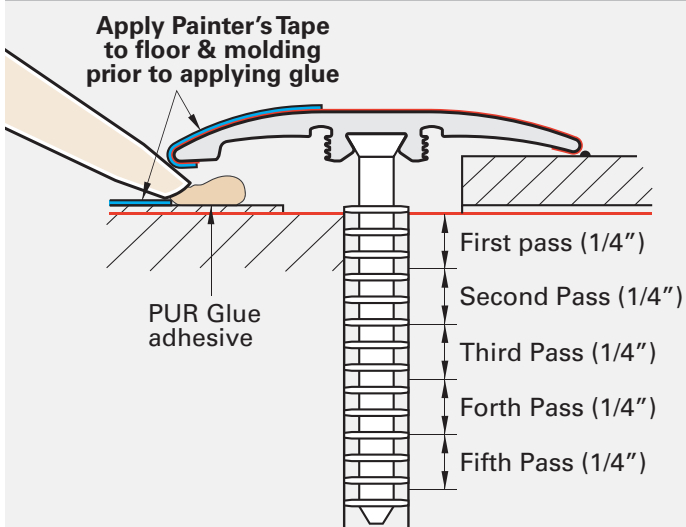
Side View of Hand Positions



NOTE: Do not try to push the entire molding in all at once by just pressing it in from top! This will bend the dowels.

Step 5

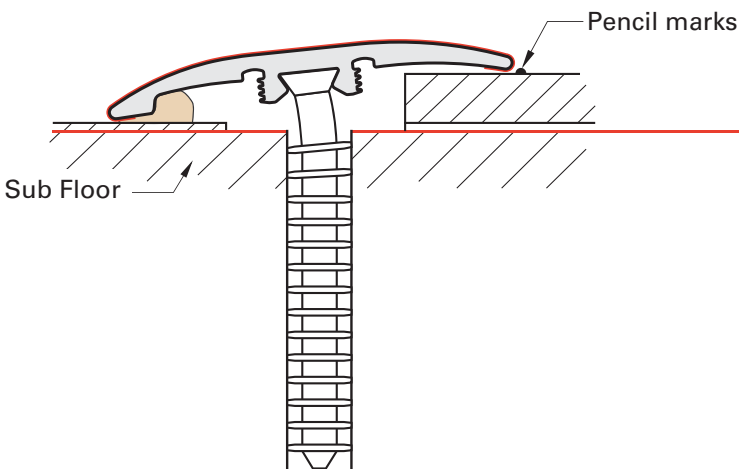
Using both hands, start at one end and gently push molding 1/4" down. Make sure dowel is straight and that you apply pressure directly over dowel. The best position is to hold dowel with pointer and middle fingers and push down with thumbs. Moving down the molding again, push the dowels in the floor 1/4" at a time. **Keep molding level as you tap it in.**



Step 6

Once the molding touches the highest of the 2 floors, insert the tip of a glue gun under 1 edge that will rest on the lower floor. Apply **Versatrim's Molding Adhesive*** under the molding. **Before applying glue, put painter's tape on the floor and the side of the molding receiving the glue.** Then push/tap molding down until it touches the floor. Carefully remove tape.

NOTE: Make sure you apply adhesive to **ONLY 1 side of the molding** and that all surfaces that the adhesive touches is dust and debris free.

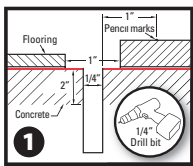


Step 7

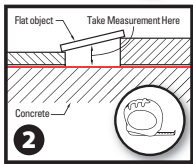
When finished applying adhesive, start again at the beginning of the molding and push dowels all the way in until molding is secure. Once molding is in place, use a rubber mallet to tap on the top of each dowel. Use the pencil marks to reference where each dowel is located.

SlimTrim - OPTIONAL DOWEL INSTALLATION: Installation for use on CONCRETE

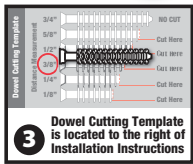
SlimTrim Installation Instructions for Use on Concrete



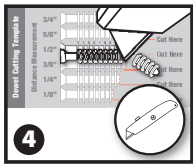
Install flooring planks, leaving 1 inch gap for molding installation. Draw line on flooring for hole placement. Using a 1/4" concrete drill bit pre-drill 2" deep holes using same measurements as dowels. With pencil, mark on floor the location of each dowel. **BE SURE TO VACUUM PRE-DRILLED HOLES.**



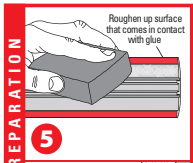
Lay a flat object over flooring and measure from the concrete at the center between the flooring up to the bottom of your object. This will give you the distance to use on the **Dowel Cutting Template** below.



Carefully cut or break dowels from Dowel Tree. Use the **Dowel Cutting Template** to the right to find your measurement on the template and lay your dowel over the number that matches your distance measurement.



With dowel on template, use a utility knife to cut dowel as indicated on **Dowel Cutting Template**. Repeat with all dowels that are to be used.

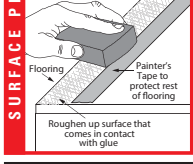


Clean floor and molding as directed below:

CLEANING PREPARATION FOR BOTH SURFACES

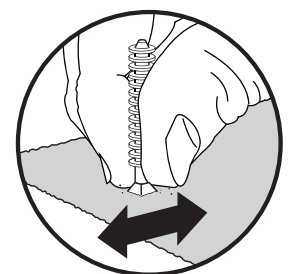
Preparing the floor & molding as outlined is mandatory to achieve the required bonding strength

1. Use a damp cloth (water only) to clean both surfaces of loose particles or surface films.
2. Roughen the surfaces with sandpaper (100-150 grit), sanding sponge or metal brush. For flooring, only roughen up area that will be covered (1.25" to 1.5").
3. Degrease both surfaces to remove all traces of oil, grease, dust, and fingerprints by using a solvent such as methyl ethyl ketone (MEK), acetone or isopropyl alcohol.
4. Let both surfaces dry thoroughly before applying adhesive.

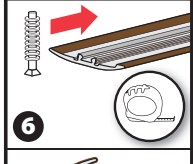


Slide dowels into groove on bottom of the SlimTrim molding and position them according to template. Line up dowels with pre-drilled holes. Adjust dowels as needed.

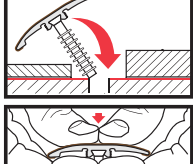
NOTE: Dowels have to fit tightly for the molding to function properly. If you find the dowel is too difficult to slide in, take 100/120 grit sandpaper, lay it flat on a surface and sand down the dowel head slightly with a couple of passes (See Detail A at the right).



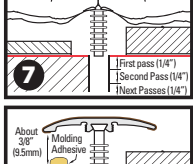
DETAIL A



Using both hands, start at one end and gently push molding 1/4" down at a time. It should take several passes to push molding all the way down. Best hand position is holding dowel between pointer fingers and pushing down with thumbs **directly over** dowel. **DO NOT TRY TO PUSH ENTIRE MOLDING IN ALL AT ONCE.**



When molding is a finger's width from the floor, insert tip of glue gun under one edge of molding and apply **Versatrim's Molding Adhesive*** along one side of the flooring. **MAKE SURE YOU APPLY ADHESIVE TO ONLY ONE SIDE OF THE MOLDING AND THAT ALL SURFACES THAT THE ADHESIVE TOUCHES IS DUST AND DEBRIS FREE.**



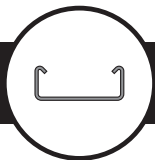
When finished applying adhesive, start again at beginning of molding and push dowels all the way down until molding is secure. Use a rubber mallet to gently tap on top of each dowel until molding sits flush. Use pencil marks as reference.

* For more information, go to: versatrim.com/molding-adhesive

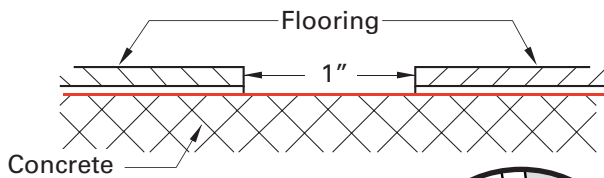


Slim Trim - T-Molding CONCRETE Install

Use SlimTrack for 1/16-1/8" (1.6-3 mm) floors.

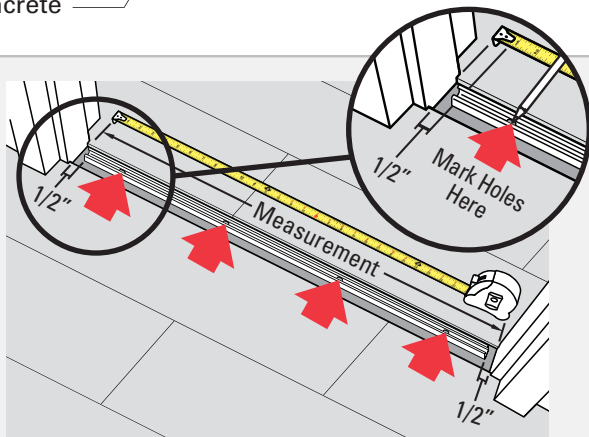


1/16-1/8" (1.6-3 mm) Floors



Step 1

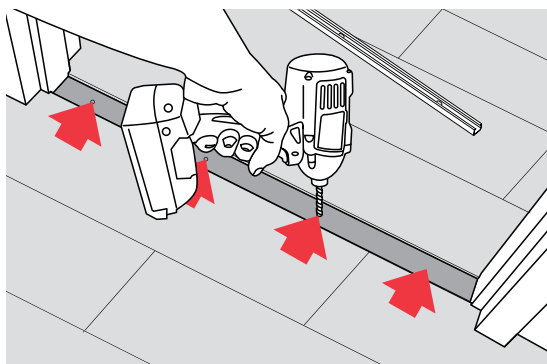
Install the flooring planks including the underlayment by leaving a 1" inch (25mm) gap for the installation of the SlimTrim



Step 2

Measure the door frame to determine width. Cut the Versatrack to the appropriate size of the door opening, leave a 1/2" gap on each side. Lay the Versatrack in the position to be installed, and mark each of the holes with a marker/pencil on the concrete floor. Make sure that the track does not shift while marking each hole.

General Disclaimer: Never drill into a slab that has radiant heating installed. Be aware of potential gas, electrical, water or low voltage lines present in the slab before starting your project. If unsure about these circumstances, we strongly recommend to use a glue down installation instead (See Page 4). The glue down option would require a high quality construction adhesive.

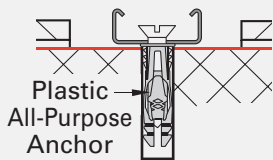
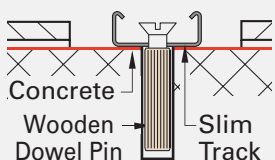


Step 3

Lay the track aside, and drill into the concrete floor by means of a 1/4" masonry drill bit. Make sure the drill does not 'dance' off the mark when starting to drill, as it will otherwise bend the track when affixing to the floor. Drill only as deep as your selection of dowel/screw combo requires. Never drill deeper than 1-1/2" into the concrete!

A DOWEL/SCREW

B ANCHOR/SCREW



Step 4 - Use your preferred method of screw dowel combo:

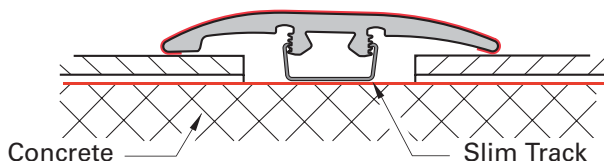
A - Screw + 0.375 x 1.25" Wooden Dowel Pin: With #6 x 1" screws, this option will give you a little bit more flexibility in case the drill holes are not 100% in line with the track holes. Make sure you drive the wooden dowel flush with the concrete, if it sits a bit high, scrape it flush with a chisel!

B - Screw + Plastic All-Purpose Anchor: Start all screws in each hole before you tighten one all the way down. This will ensure that all holes line up properly with the track.

Step 5

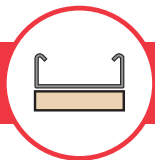
Gently press the molding into the track starting from one end to the other just like you would close a Zip-Lock bag.

!!! Do not try to push the entire molding in all at once by just pressing it in from top !!!

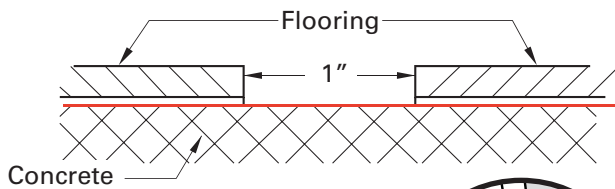


Slim Trim as a T-Molding CONCRETE Install

Use SlimTrack for 1/8-1/4" (3 - 6.35 mm) floors.

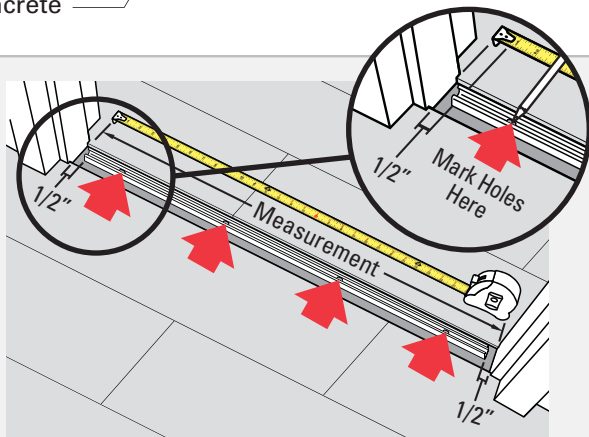


1/8-1/4" (3-6.35 mm) Floors



Step 1

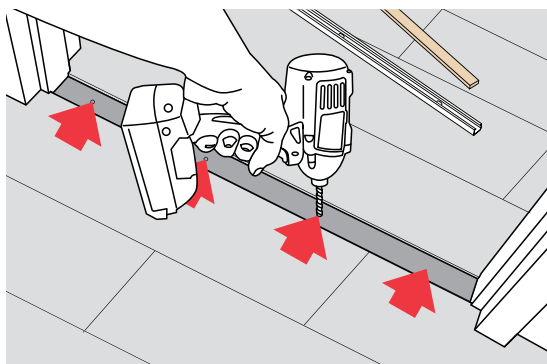
Install the flooring planks including the underlayment by leaving a 1" inch (25mm) gap for the installation of the SlimTrim



Step 2

Measure the door frame to determine width. Cut the Versatrack to the appropriate size of the door opening, leave a 1/2" gap on each side. Lay the Versatrack in the position to be installed, and mark each of the holes with a marker/pencil on the concrete floor. Make sure that the track does not shift while marking each hole.

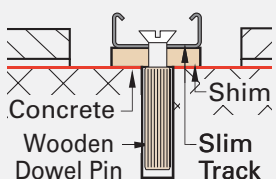
General Disclaimer: Never drill into a slab that has radiant heating installed. Be aware of potential gas, electrical, water or low voltage lines present in the slab before starting your project. If unsure about these circumstances, we strongly recommend to use a glue down installation instead (See Page 4). The glue down option would require a high quality construction adhesive.



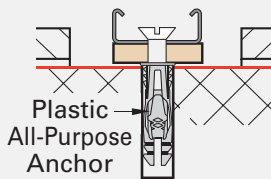
Step 3

Lay the track aside, and drill into the concrete floor by means of a 1/4" masonry drill bit. Make sure the drill does not 'dance' off the mark when starting to drill, as it will otherwise bend the track when affixing to the floor. Drill only as deep as your selection of dowel/screw combo requires. Never drill deeper than 1-1/2" into the concrete!

A DOWEL/SCREW



B ANCHOR/SCREW



Step 4 - Use your preferred method of screw dowel combo:

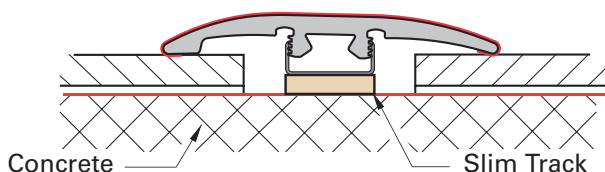
A - Screw + 0.375 x 1.25" Wooden Dowel Pin: With #6 x 1" screws, this option will give you a little bit more flexibility in case the drill holes are not 100% in line with the track holes. Make sure you drive the wooden dowel flush with the concrete, if it sits a bit high, scrape it flush with a chisel!

B - Screw + Plastic All-Purpose Anchor: Start all screws in each hole before you tighten one all the way down. This will ensure that all holes line up properly with the track.

Step 5

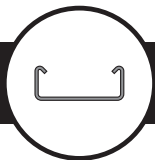
Gently press the molding into the track starting from one end to the other just like you would close a Zip-Lock bag.

!!! Do not try to push the entire molding in all at once by just pressing it in from top !!!

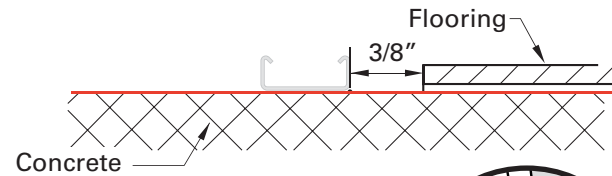


Slim Trim as a Reducer CONCRETE Install

Use SlimTrack for up to 1/4" (6.35mm) floors.



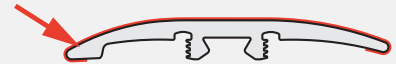
Up to 1/4" (6.35 mm) Floors



Step 1

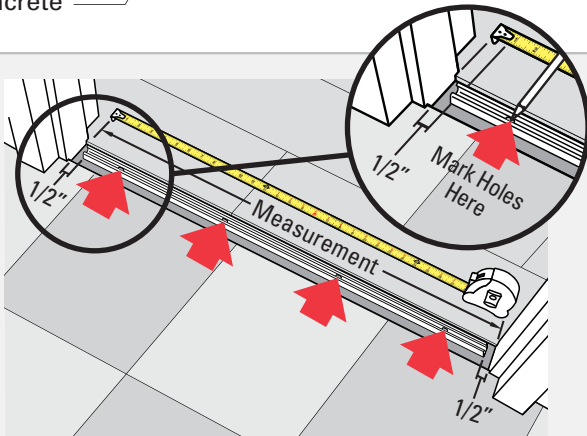
Install the flooring planks including the underlayment. Measure 3/8" from the flooring plank and mark on the concrete.

This end of the SlimTrim MUST be placed on the lower of the two surfaces.

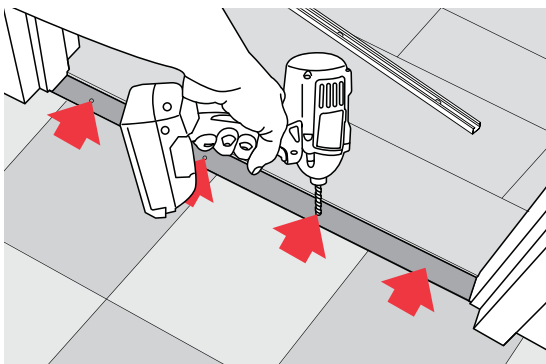


Step 2

Measure the door frame to determine width. Cut the Versatrack to the appropriate size of the door opening, leave a 1/2" gap on each side. Lay the Versatrack in the position to be installed, and mark each of the holes with a marker/pencil on the concrete floor. Make sure that the track does not shift while marking each hole.



General Disclaimer: Never drill into a slab that has radiant heating installed. Be aware of potential gas, electrical, water or low voltage lines present in the slab before starting your project. If unsure about these circumstances, we strongly recommend to use a glue down installation instead (See Page 4). The glue down option would require a high quality construction adhesive.

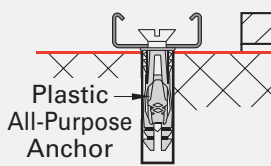
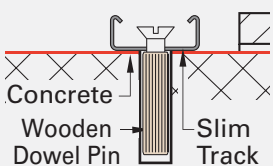


Step 3

Lay the track aside, and drill into the concrete floor by means of a 1/4" masonry drill bit. Make sure the drill does not 'dance' off the mark when starting to drill, as it will otherwise bend the track when affixing to the floor. Drill only as deep as your selection of dowel/screw combo requires. Never drill deeper than 1-1/2" into the concrete!

A DOWEL/SCREW

B ANCHOR/SCREW



Step 4 - Use your preferred method of screw dowel combo:

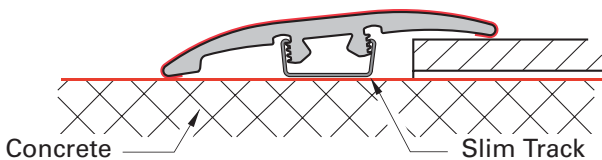
A - Screw + 0.375 x 1.25" Wooden Dowel Pin: With #6 x 1" screws, this option will give you a little bit more flexibility in case the drill holes are not 100% in line with the track holes. Make sure you drive the wooden dowel flush with the concrete, if it sits a bit high, scrape it flush with a chisel!

B - Screw + Plastic All-Purpose Anchor: Start all screws in each hole before you tighten one all the way down. This will ensure that all holes line up properly with the track.

Step 5

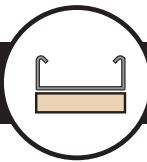
Gently press the molding into the track starting from one end to the other just like you would close a Zip-Lock bag.

!!! Do not try to push the entire molding in all at once by just pressing it in from top !!!



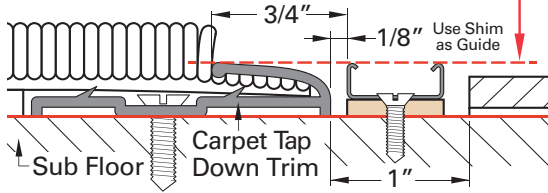
SlimTrim as an End Cap - CONCRETE Install

Use Versatrack & Shim for up to 1/4" (0-6.35 mm) floors.



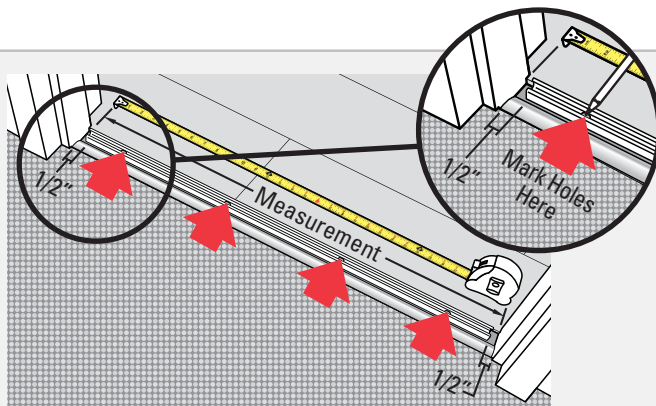
Up to 1/4" (0-6.35 mm) Floors

NOTE: Carpet Tap Down trim must be even with the top of the track.



Step 1

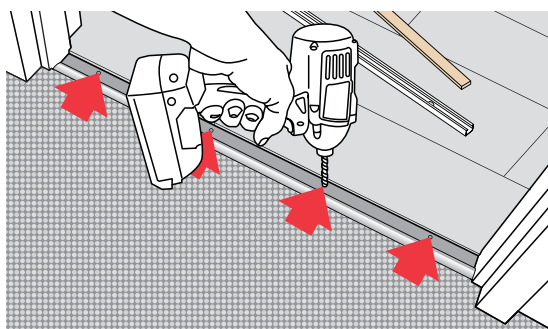
Install the flooring plank* and carpet (using a carpet tap down trim) by leaving a 1" inch (25mm) gap for the installation of the SlimTrim. Position the track 3/4" from where the Tap Down trim meets the carpet. The carpet tap down trim must be no less than 1/8" from top of track. Use shim to make track and tap down trim even, then remove shim.



Step 2

Measure the door frame to determine width. Cut the Versatrack to the appropriate size of the door opening, leave a 1/2" gap on each side. Lay the Versatrack in the position to be installed, and mark each of the holes with a marker/pencil on the concrete floor. Make sure that the track does not shift while marking each hole.

General Disclaimer: Never drill into a slab that has radiant heating installed. Be aware of potential gas, electrical, water or low voltage lines present in the slab before starting your project. If unsure about these circumstances, we strongly recommend to use a glue down installation instead (See Page 4). The glue down option would require a high quality construction adhesive.

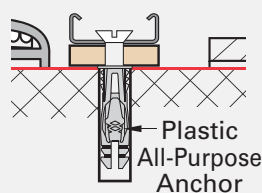
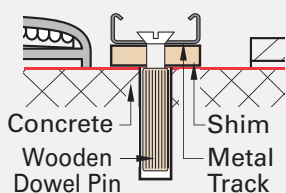


Step 3

Lay the track aside, and drill into the concrete floor by means of a 1/4" masonry drill bit. Make sure the drill does not 'dance' off the mark when starting to drill, as it will otherwise bend the track when affixing to the floor. Drill only as deep as your selection of dowel/screw combo requires. Never drill deeper than 1-1/2" into the concrete!

A DOWEL/SCREW

B ANCHOR/SCREW



Step 4 - Use your preferred method of screw dowel combo:

A - Screw + 0.375 x 1.25" Wooden Dowel Pin: With #6 x 1" screws, this option will give you a little bit more flexibility in case the drill holes are not 100% in line with the track holes. Make sure you drive the wooden dowel flush with the concrete, if it sits a bit high, scrape it flush with a chisel!

B - Screw + Plastic All-Purpose Anchor: Start all screws in each hole before you tighten one all the way down. This will ensure that all holes line up properly with the track.

Step 5

Gently press the molding into the track starting from one end to the other just like you would close a Zip-Lock bag.

!!! Do not try to push the entire molding in all at once by just pressing it in from top !!!

