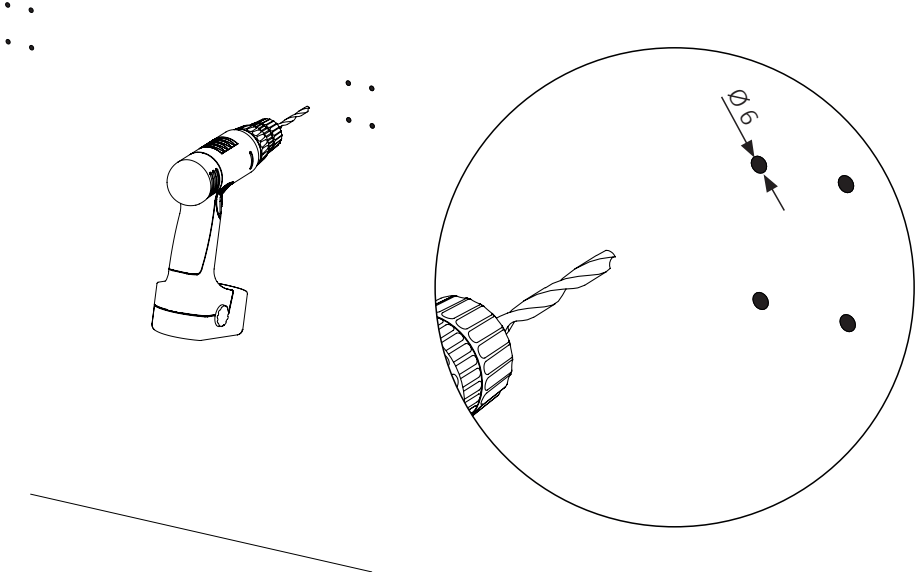


INSTALLATION GUIDE

Alma Collection

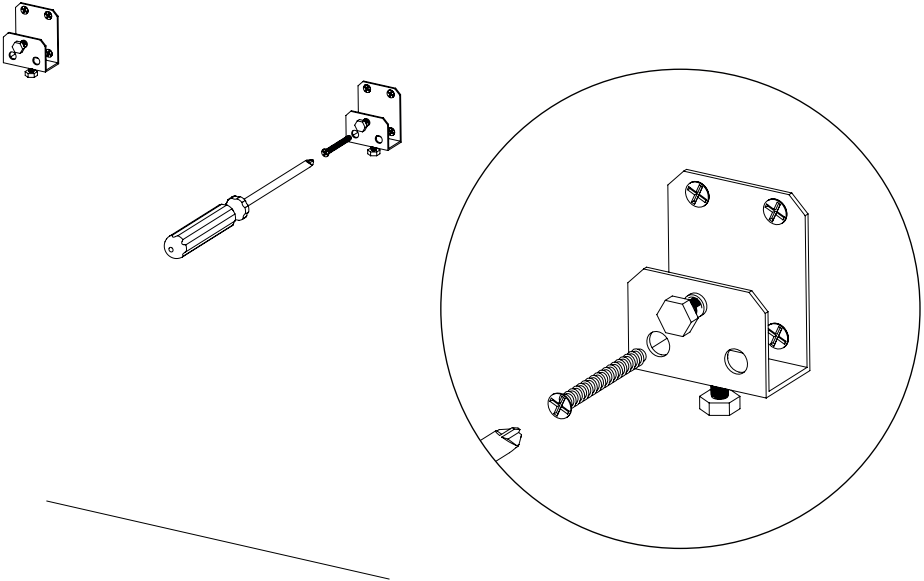


STEP 1



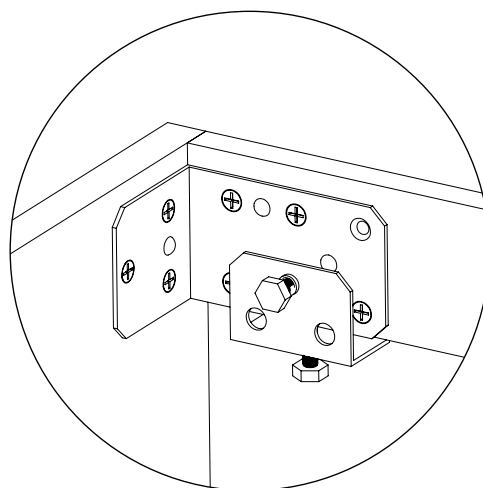
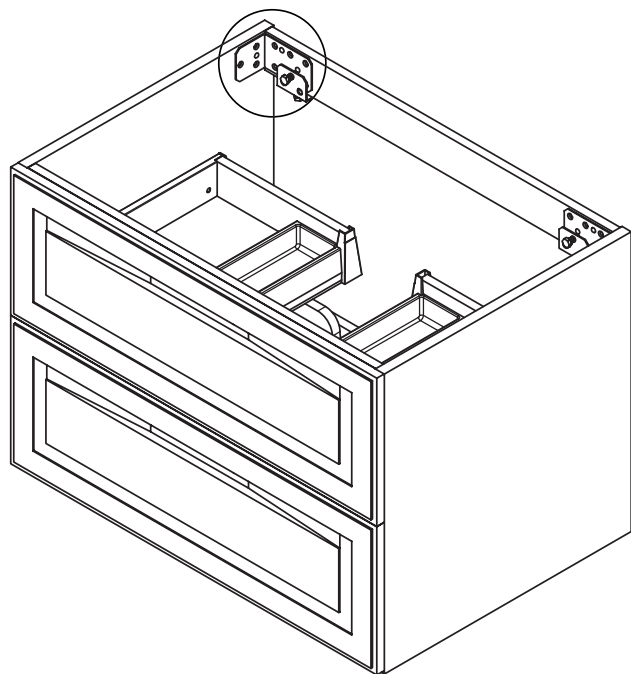
• Drill holes in the wall to install the Decofix System in the next step.

STEP 2



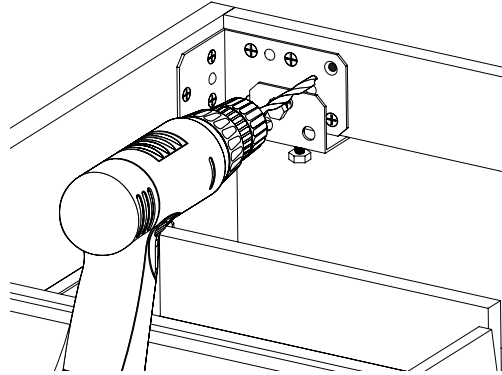
• Screw the Decofix System to the wall.

STEP 3



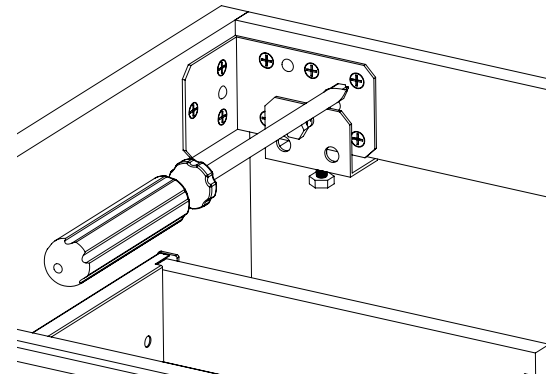
- Adjust the position screwing the screws.

STEP 4



- Drill an extra hole using the Decofix System as a guide to bring major strength to the union.

STEP 5



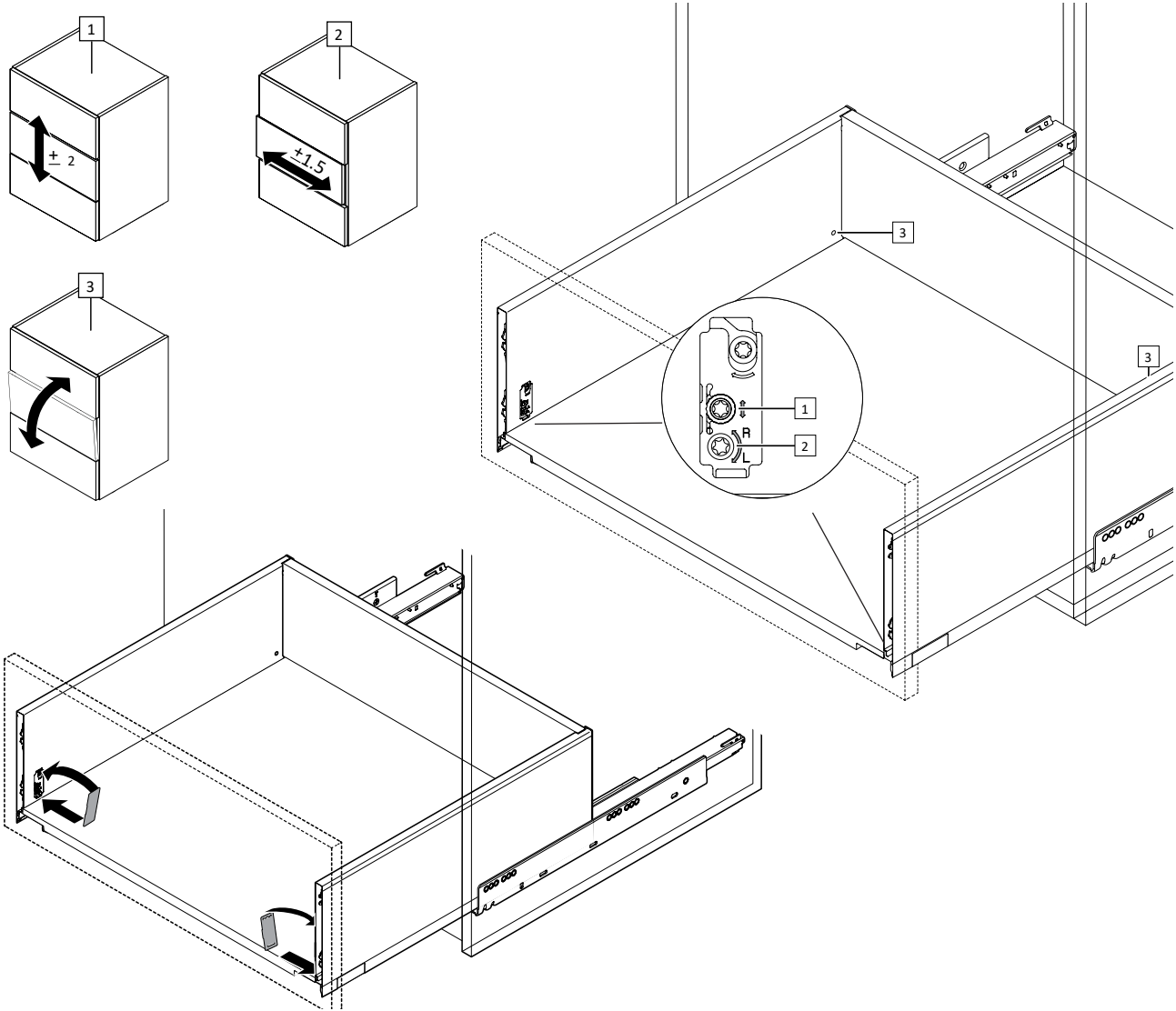
- Screw the main body to the wall in order to bring more security to the installation.

INSTALLATION GUIDE

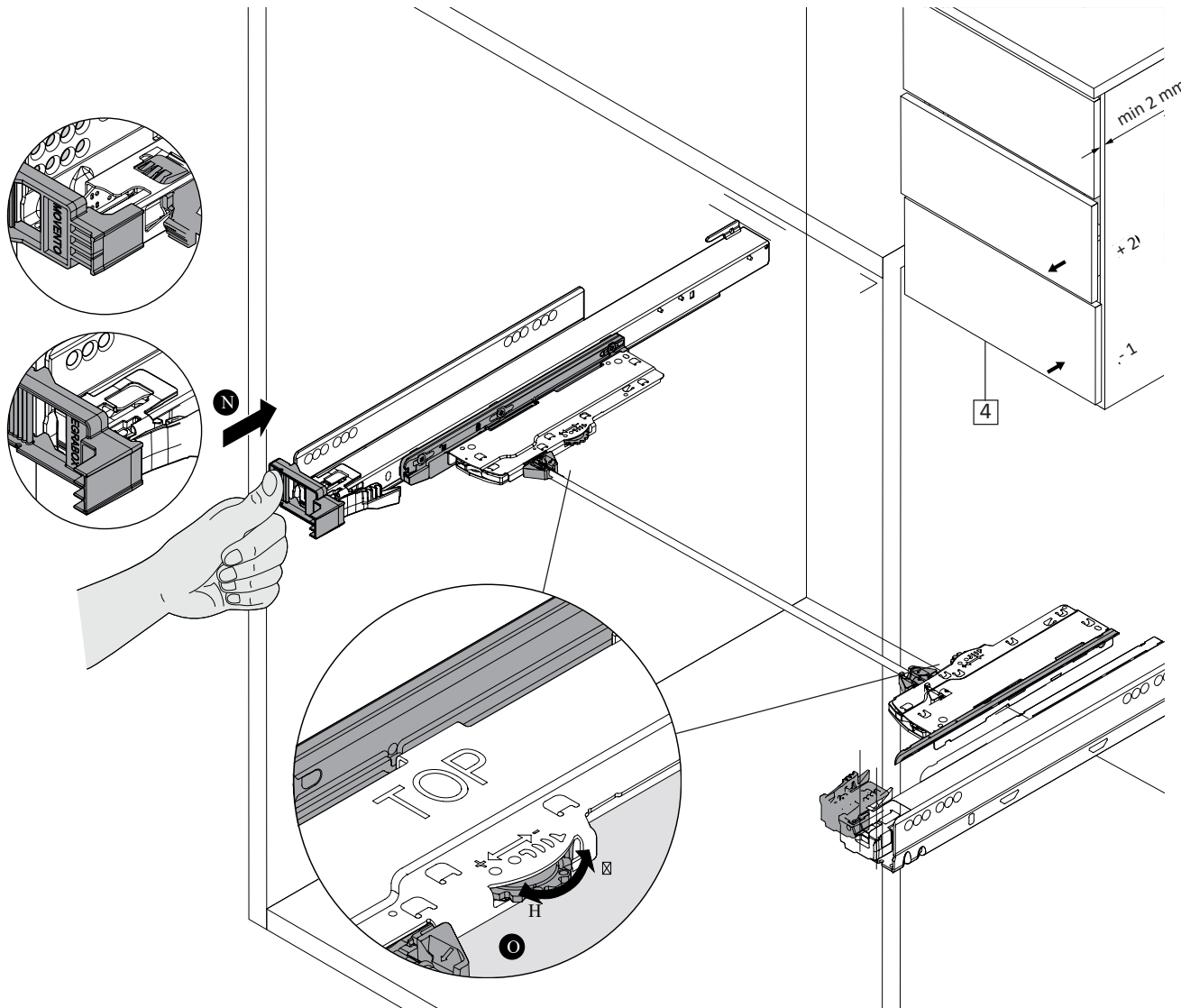
Alma Collection



ADJUSTING (IF NEEDED)



ADJUSTING (IF NEEDED)



MAINTENANCE, CARE & EXTRAS

Gloss:

For regular cleanings, use a soft cotton cloth dampened with water. For a thorough clean, use solvent-free glass cleaners and dry with a soft cloth.

Metallic parts:

It is strongly recommended to clean with a damp cloth and dry carefully with a soft cloth.

Marble:

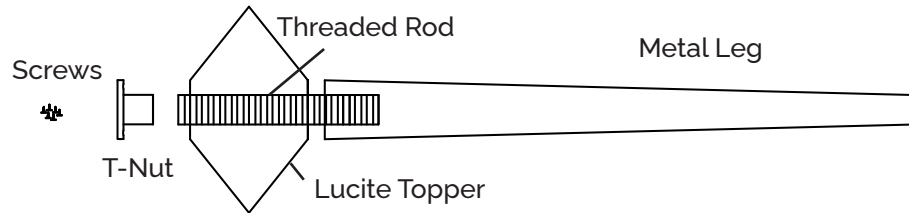
To clean marble, use a PH-neutral cleaning formula. Avoid using glass cleaners, generic cleaners, or any other product not specifically labeled to be used on marble surfaces.

INSTALLATION GUIDE

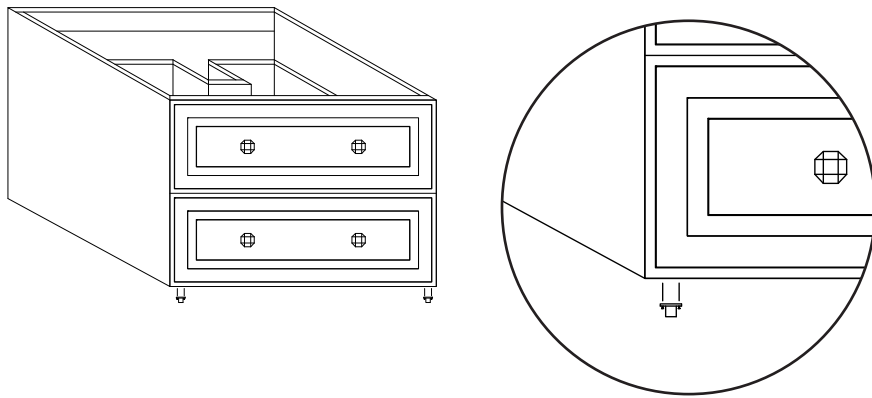
Alma Collection

tilebar

LEG INSTALLATION (OPTIONAL)

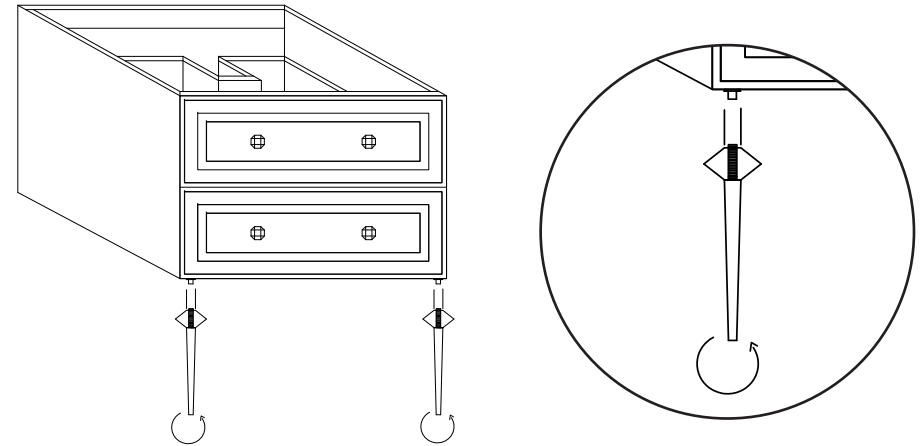


STEP 1



- Remove T-nut from assembled leg in box.
- Attach T-nut to the base of the vanity as shown.

STEP 2



- Attach the assembled leg to the t-nut.
- To tighten, hold the lucite topper in place & rotate the leg.
- Installation complete.

* Legs are decorative only and do not offer any free standing support. Vanity must be properly mounted to the wall as shown in this guide.