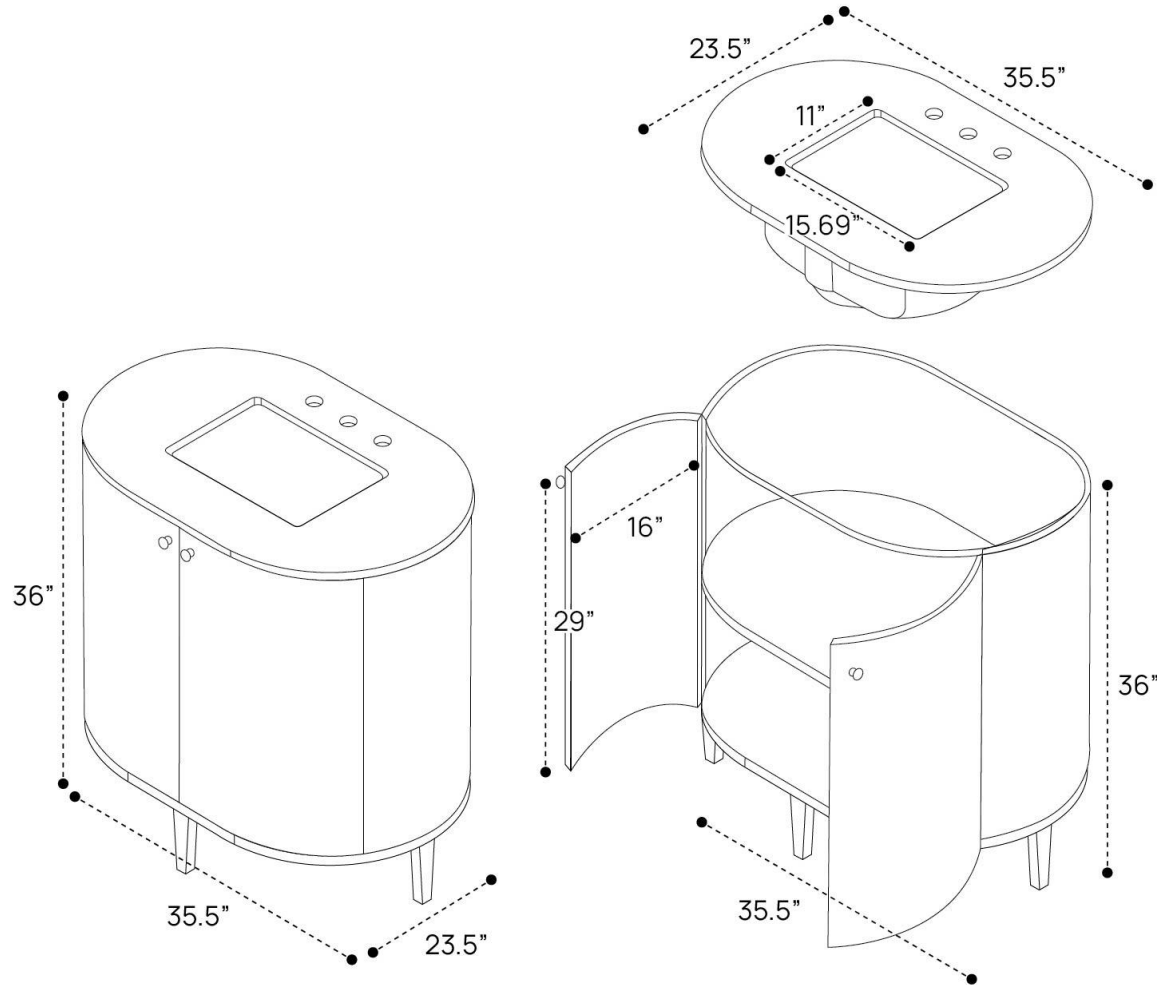
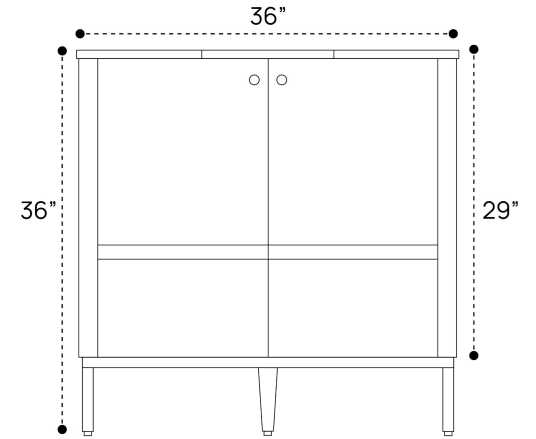


3D VIEW



FRONT VIEW



SIDE VIEW

