

UNIDOOR PLUS

Installation Manual



DO NOT RETURN PRODUCT TO STORE. CONTACT DREAMLINE[®] WITH ANY QUESTIONS

QUESTIONS?

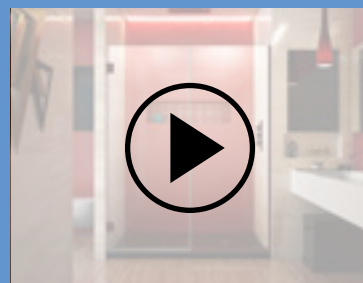
Please Contact DreamLine Customer Support:

CALL 1-866-731-2244

EMAIL support@dreamline.com

SEE **DREAMLINE.COM** FOR HOURS OF OPERATION

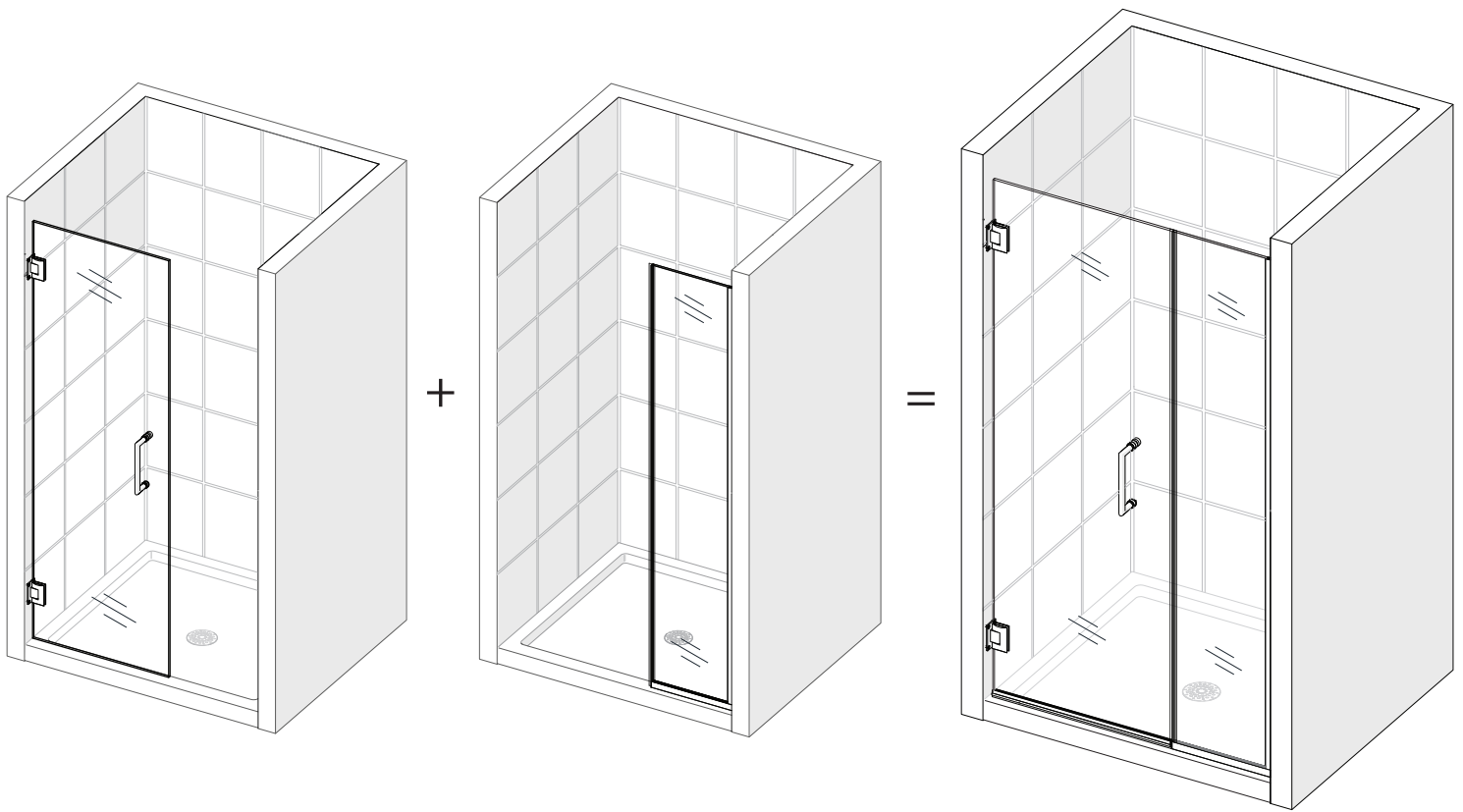
CLICK HERE
To View Our
Installation Video



UNIDOOR PLUS (Style F)

SHOWER DOOR AND INLINE PANEL INSTALLATION INSTRUCTIONS

PLEASE REVIEW THIS ENTIRE MANUAL PRIOR TO INSTALLATION



STEP 1: Install Shower Door

STEP 2: Install Inline Panel

STYLE F



Questions?

Please Call **DreamLine** Customer Support: **1-866-731-2244**
Hours of Operation M-F 8AM - 6PM EST

Support@DreamLine.com



For more information about DreamLine[®] products please visit DreamLine.com

UNIDOOR

see pages 4-7 for related model styles

SHOWER DOOR INSTALLATION INSTRUCTIONS (FOR SINGLE DOOR)

PLEASE REVIEW THIS ENTIRE MANUAL PRIOR TO INSTALLATION

Model #s:

- SHDR-20237210F-##
- SHDR-20247210F-##
- SHDR-20257210F-##
- SHDR-20267210F-##
- SHDR-20277210F-##
- SHDR-20287210F-##
- SHDR-20297210F-##
- SHDR-20307210F-##

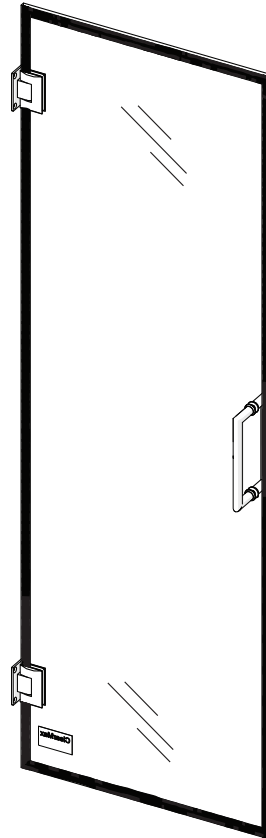
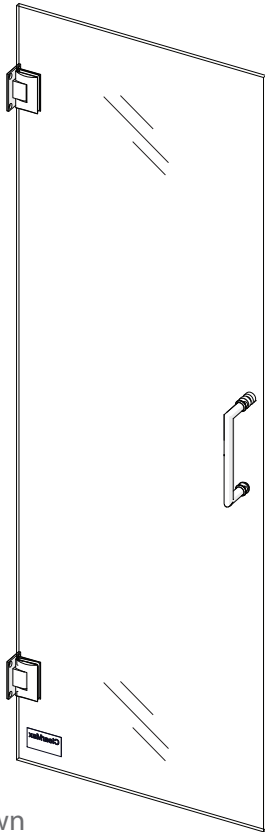
= Finish:

- 01** = Chrome
- 04** = Brushed Nickel
- 06** = Oil Rubbed Bronze
- 09** = Satin Black

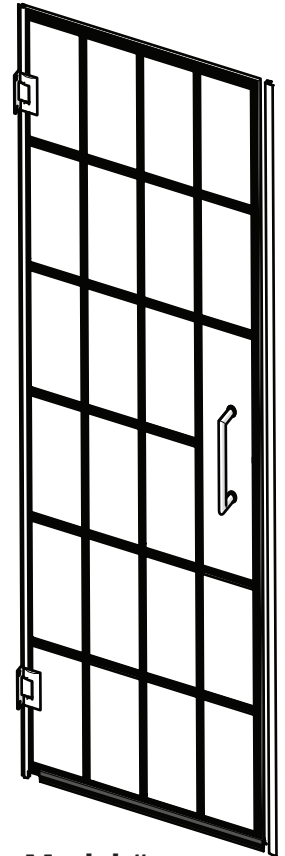
left-swing installation shown

View Our Installation Video:

CLICK HERE



Model #:
SHDR-202472E-09
UNIDOOR EDGE



Model #s:
SHDR-2428720-89
SHDR-2430720-89
SHDR-2424720-89
UNIDOOR TOULON

IMPORTANT!

DreamLine® reserves the right to alter, modify or redesign products at any time without prior notice for the purpose of product improvement and customer experience. Please refer to the model's web page on **DreamLine.com** for the latest technical drawings, installation manuals, warranty information or additional product details.

Do Not Return Product to the Store. Contact DreamLine® with any questions



Questions?

Please contact DreamLine Customer Support
See DreamLine.com for hours of operation

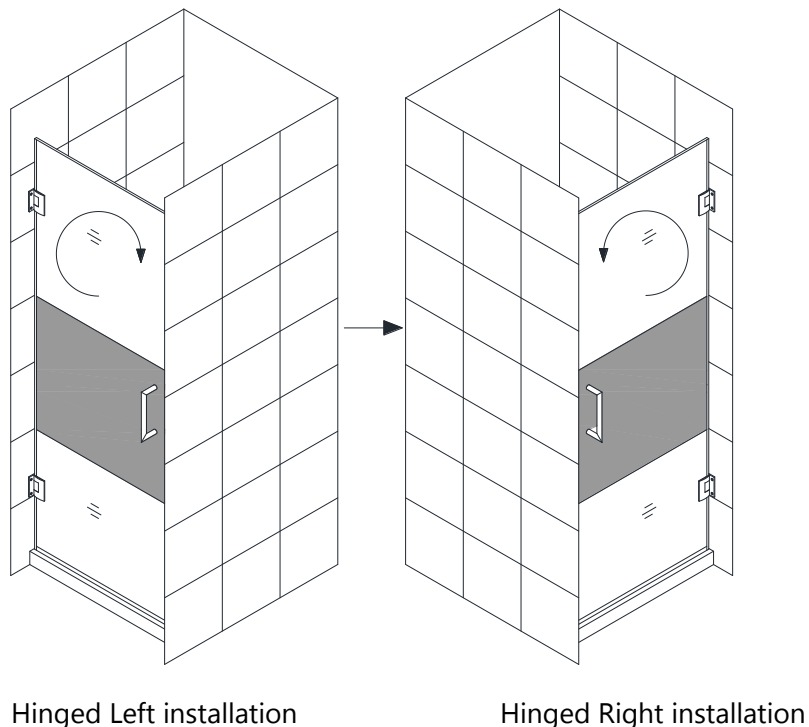
Support@DreamLine.com

1-866-731-2244



Style "A" (single door installation shown) with Half-Frosted Glass:

**NOTE: This model features the Half-Frosted glass option.
The textured surface on the door glass should be installed to face outside of the shower.
The door glass can be flipped for left or right-hand installation.**



This model is treated with DreamLine's exclusive ClearMax™ Glass technology. This is a specially formulated coating that prevents the build up of soap and water spots.

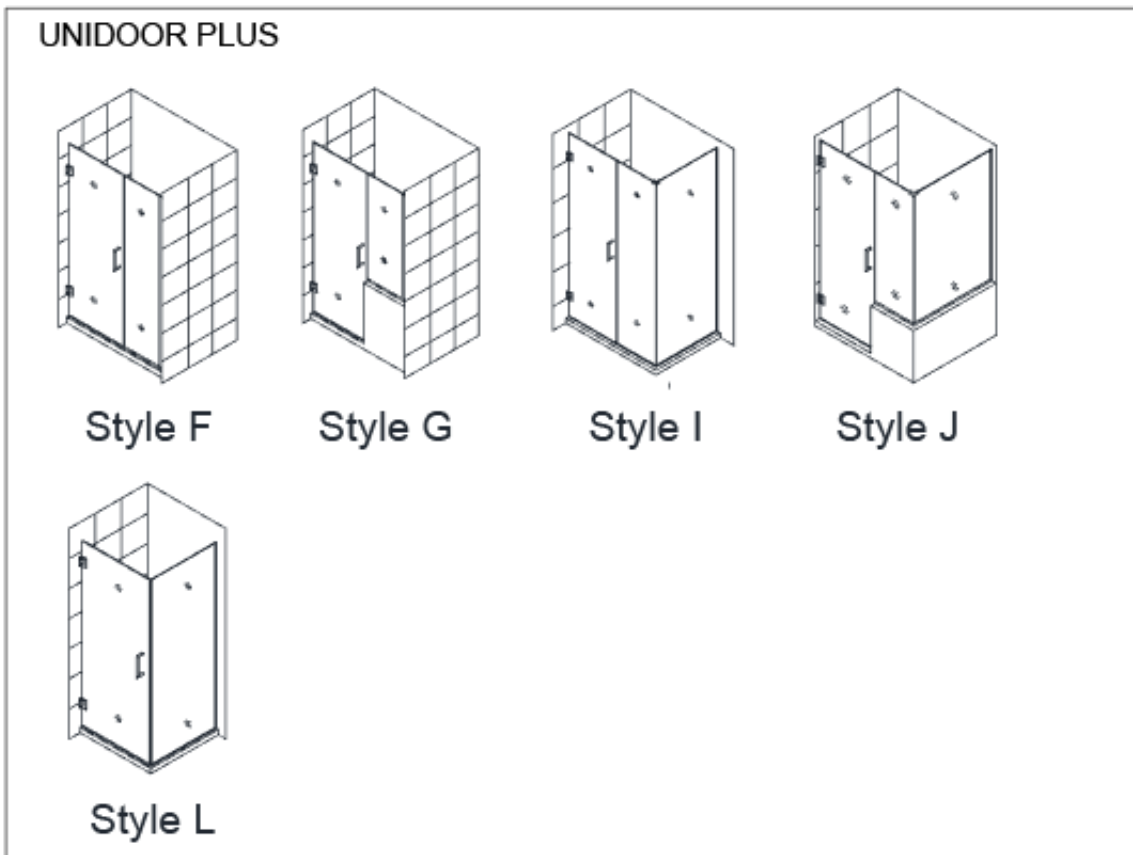
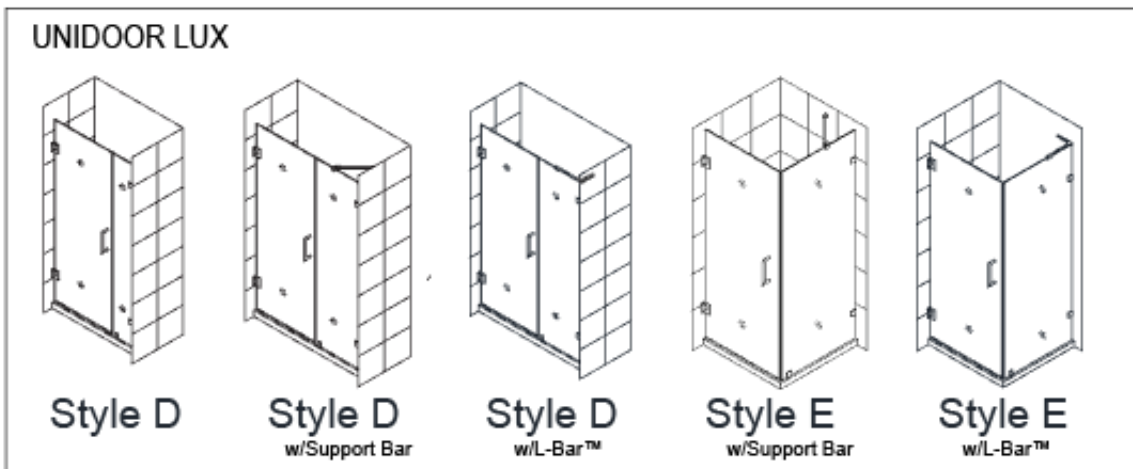
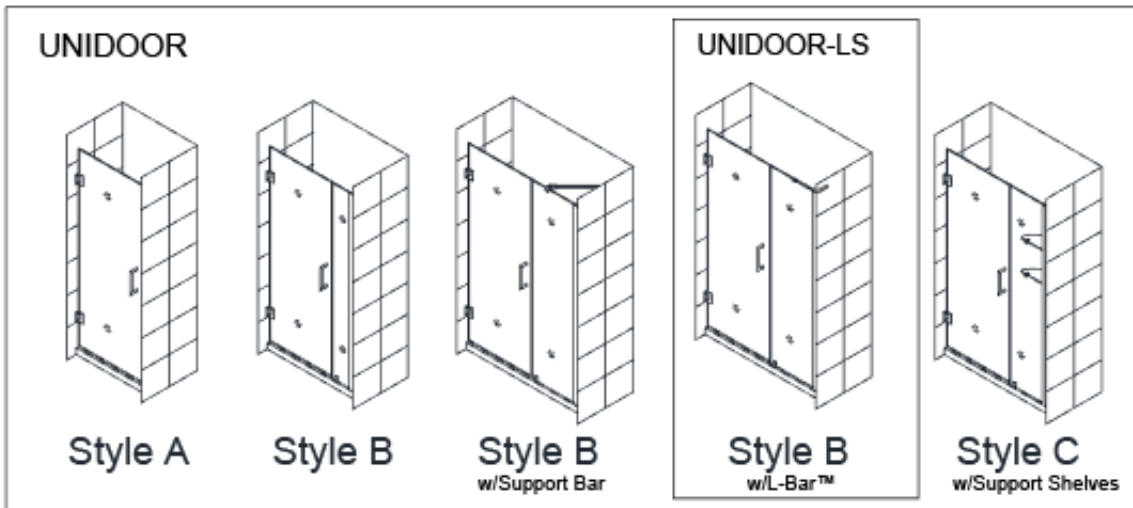
Install the surface with the ClearMax™ label towards the inside of the shower. Please note that depending on the model, the glass may be coated on either one or both surfaces.

For best results, squeegee the glass after each use and dry with a soft cloth.

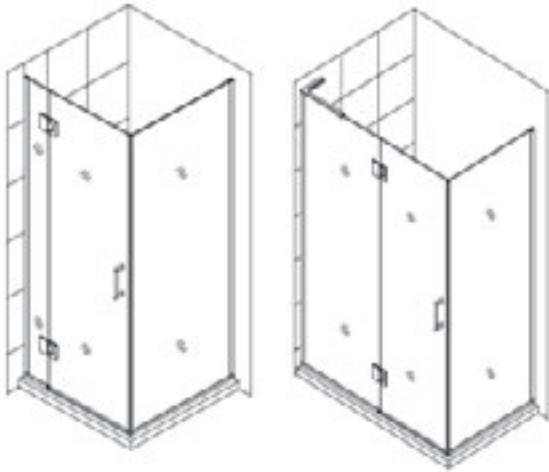
Table of Contents

Section Title	Page #
Unidoor Styles	4-7
Preparation	8
Tools	9
Required Reinforcement locations	10
Glass and Hinge hole details	11-12
Detailed Diagram of Shower Door Components and Parts List	13
Installation Instructions	14-21
Adjustable Hinge Details	17-18
Handle	19
Vinyl Seals	19-20
Product Maintenance	22

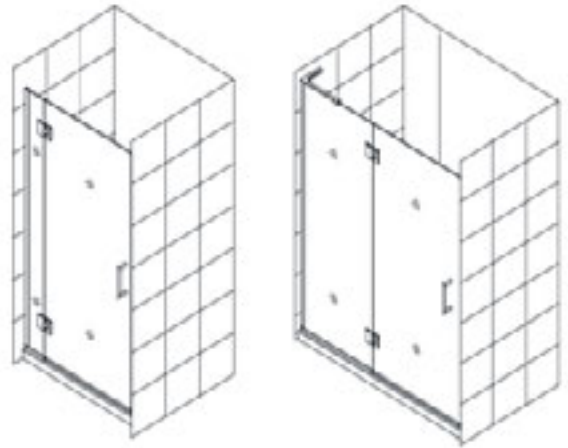
UNIDOOR STYLES- Models with Glass-to-Wall hinges



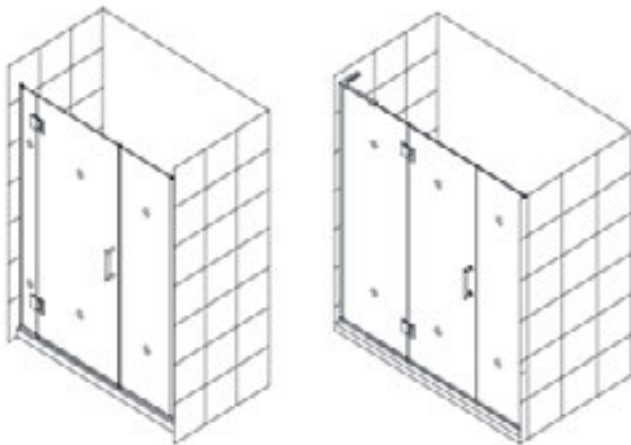
Models with Glass-to-Glass Hinge panels: For Glass-to-Glass Hinge Door models:
Use the installation manual that is packaged with the Hinge panel glass first.



Style L1

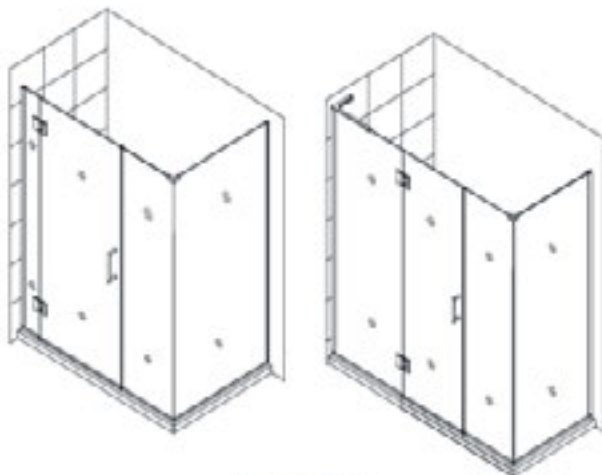


Style M



Style M1

Style M2



Style M3

Style M4

STYLE A**UNIDOOR** Single shower door 23" - 30"

Refer to detailed diagram on page 12 of this manual to begin the installation.

STYLE B ***UNIDOOR** Shower door 23" – 30" with 6" small or 12"-30" large stationary panel with a Support Bar**UNIDOOR-LS** Shower door 23" – 30" with 12"-30" large stationary panel with an L-Bar™**STYLE C *****UNIDOOR** Shower door with 12"-30" large stationary panel with Support shelves**STYLE D *****UNIDOOR LUX** Shower door 23"~30" with 6" small or 14"-30" large stationary panel with glass-to-wall brackets with an L-Bar™ or a Support Bar**STYLE E *****UNIDOOR LUX** Shower enclosure with 30" return stationary panel with glass-to-wall brackets with an L-Bar™ or a Support Bar**STYLE F *****UNIDOOR PLUS** Shower door 23"~30" with 6"-34" in-line stationary panel secured using u-channel**STYLE G *****UNIDOOR PLUS** Shower door 23"~30" with 6"-34" in-line half wall panel secured using u-channel**STYLE I *****UNIDOOR PLUS** Shower enclosure with 6"-34" in-line stationary panel and 30"-34" return panel secured using u-channel**STYLE J *****UNIDOOR PLUS** Shower enclosure with 12"-36" in-line half wall panel and 30"-34" return panel secured using u-channel**STYLE L *****UNIDOOR PLUS** Shower enclosure with 30" - 34" return stationary panel secured using u-channel**STYLE L1 *^****UNIDOOR X** Shower door 23"~30" with 6" or 24" hinge panel and with 30"- 34" full height return panel secured using u-channel**STYLE M *^****UNIDOOR X** Shower door 23"~30" with 6" or 24" hinge panel secured using u-channel**STYLE M1 *^****UNIDOOR X** Shower door 23"~30" with 6" or 24" hinge panel and with 6", 6-1/2", 14", 14-1/2", 22" or 22-1/2" full height inline panel secured using u-channel

STYLE M2 *^

UNIDOOR X Shower door 23"~30" with 6" or 24" hinge panel with 12", 18", 24" or 26" inline buttress panel secured using u-channel

STYLE M3 *^

UNIDOOR X Shower door 23"~30" with 6" or 24" hinge panel, with 6", 6-1/2", 14", 14-1/2", 22" or 22-1/2" full height inline panel and 30" - 34" full height return panel secured using u-channel

STYLE M4 *^

UNIDOOR X Shower door 23"~30" with 6" or 24" hinge panel, with 12", 18", 24" or 26" in-line buttress panel and 30"- 40" buttress return panel secured using u-channel

*** For the panel installation instructions, please refer to the separate manual included in the panel glass packaging.**

^ For Glass-to-Glass door installation, please refer to the separate manual included in the hinge panel glass packaging.

NOTE: The Unidoor series doors and enclosures are reversible for left or right-hand installation. This manual will show the right-hand installation. For a left-hand installation, simply begin on the opposite wall and reverse the orientation of the parts as necessary.

Preparation

1. Prior to installation, examine all boxes and packages for shipping damage and compare the piece count with your packing slip. After opening all boxes and packages read this introduction carefully. Check that all of the necessary parts are included in the package(s) by checking off the components on the "Detailed Diagram of Shower Door Components". If the unit has been damaged, has a finishing defect, or is missing parts, please contact our customer support department within **3 business days** of the delivery date. Please note that **DreamLine® will not replace any damaged products or missing parts free of charge after 3 business days or if the product has been installed.** Please contact DreamLine® if you have any questions and please provide an order number, job name or other proof of purchase to help identify the original order.
2. **Please note that you should consult your local building codes with questions about installation compliance standards. Building and plumbing codes may vary by location, and DreamLine® is not responsible for code compliance standards for your project and will not accept any returns.**
3. If this unit is going to be installed in a new construction, install all of the required plumbing and drainage before installing the shower. **Use a competent and licensed (if required by local code) plumber for all plumbing installation.**
4. Make sure that prior to beginning the installation, the surfaces are leveled and solid and will be able to support the total weight of the unit. Also make sure the walls are at right angles. Irregular installation surface level, radius corners or improper angle of side walls will result in serious problems for your installation. Please note that some adjustments and drilling will be necessary during the installation process.
5. Protect all primary surfaces of the product during installation. Never set glass down directly onto a hard surface unless instructed. Leave corner protectors in place until necessary to remove them. Always use a piece of wood or cardboard to protect the bottom edge and corners of the glass prior to and during installation to prevent damage.
6. **This unit must be installed upon a level finished threshold and against plumb finished walls.**
7. **This door is extremely heavy and the hinges on this door must be attached into studs or to preinstalled 2" x 6" wood reinforcement behind the wall. See pages 9, 10 & 11 for details.**
8. The **single** Unidoor installation does NOT have any adjustment for out-of-plumb or out-of-level conditions. Please verify that the walls are plumb and the threshold is level before proceeding with the installation.
9. **Professional installation is recommended** for this heavy glass frameless shower door.



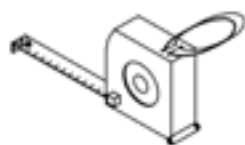
NOTE: DO NOT attach the handle to the door glass until instructed.

DO NOT use the handle to lift the glass during installation. This may result in damage to the glass and/or serious injury. Always use an assistant and/or a professional grade glass suction cup when handling heavy glass panels.

Tools Required



Level



Tape Measure



Pencil



Phillips Screwdriver



Hammer



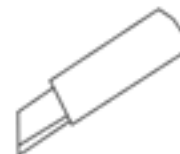
Drill bit
(Ø=1/4")



Power Drill



Caulk

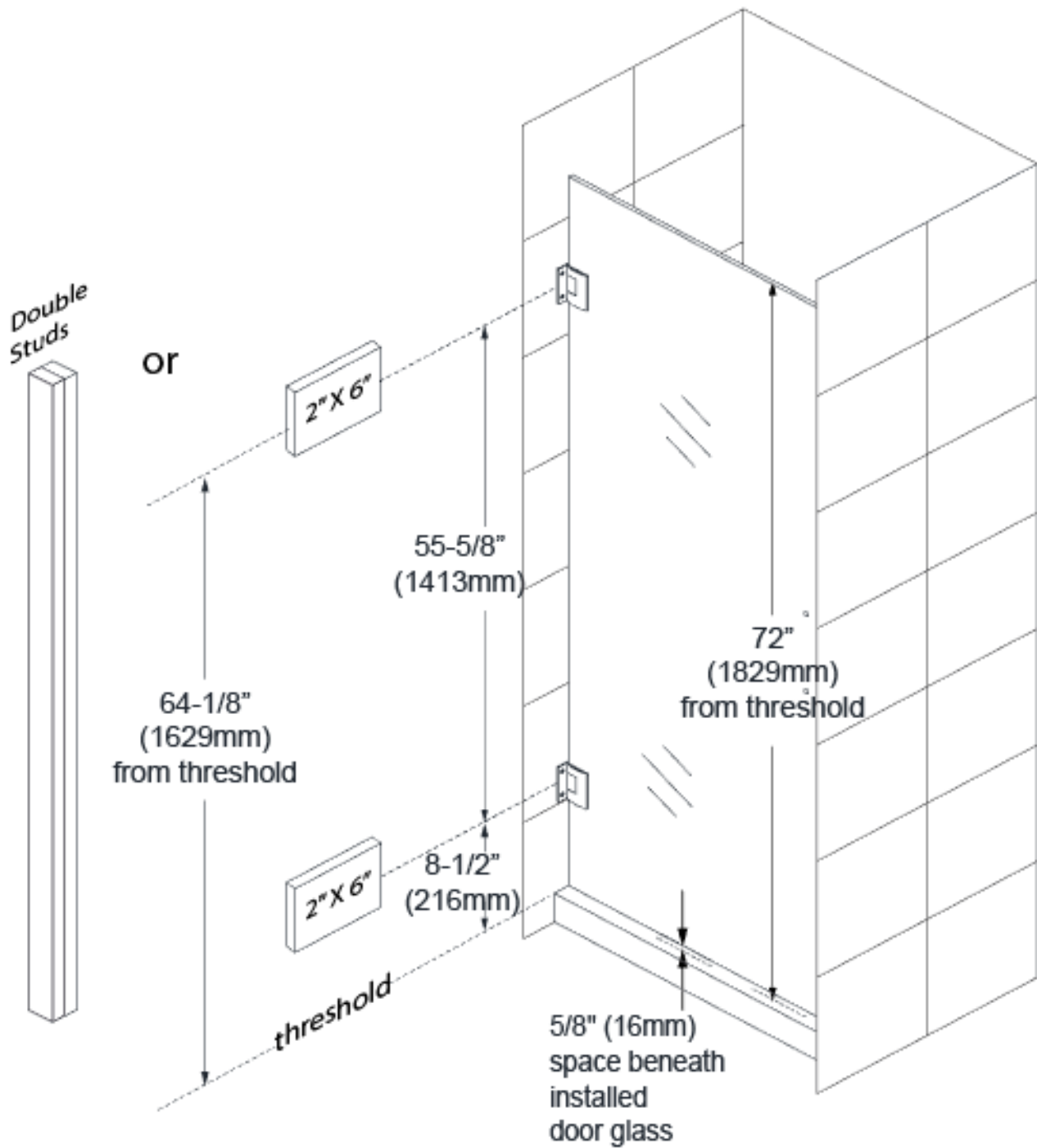


Razor Knife

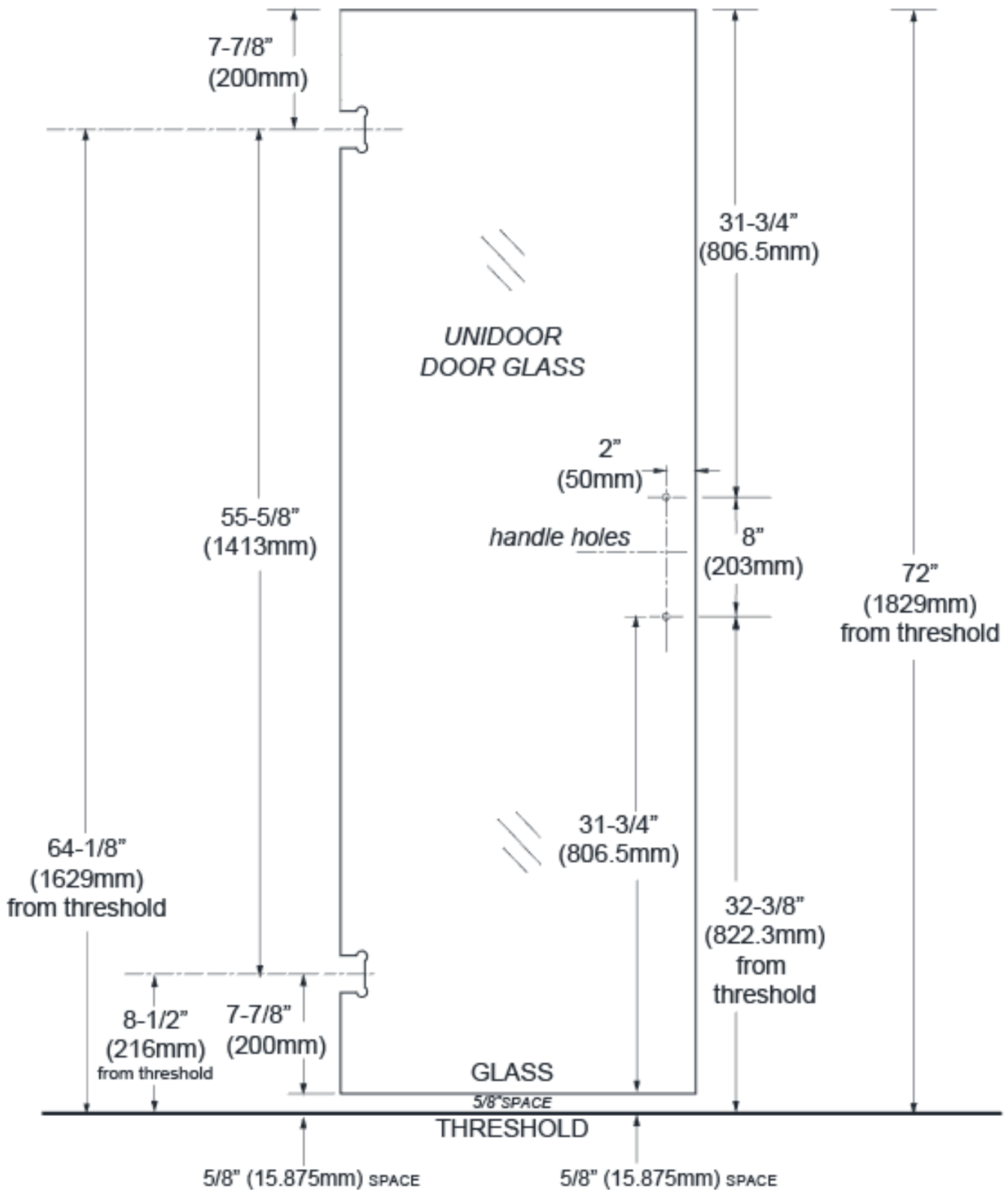


Professional-grade
Glass suction cup

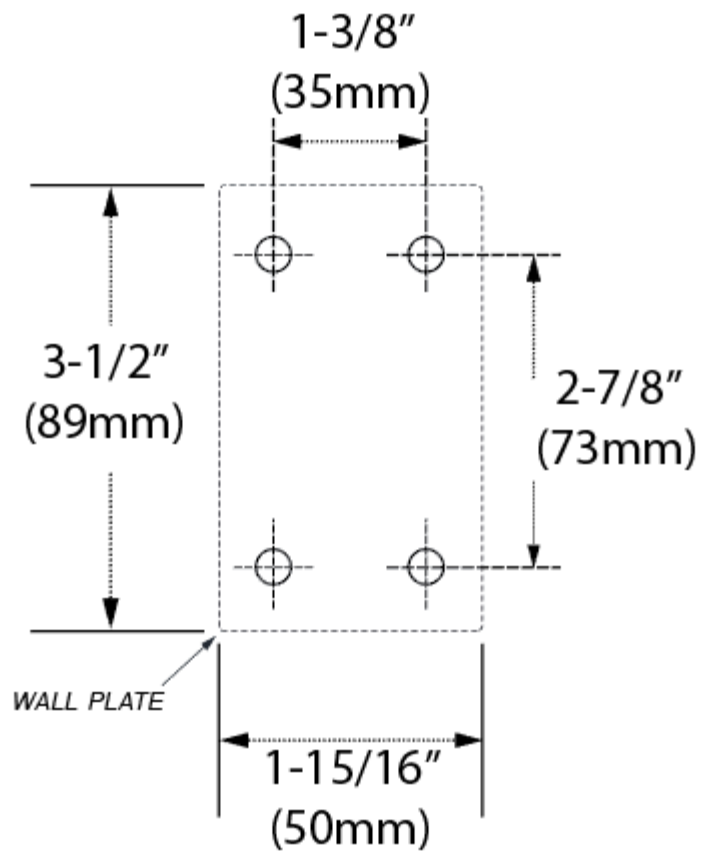
**INSTALL DOUBLE STUDS OR INSTALL 2"X6" WOOD BLOCKING BETWEEN THE STUDS
WHERE THE HINGES WILL ATTACH TO THE WALL**



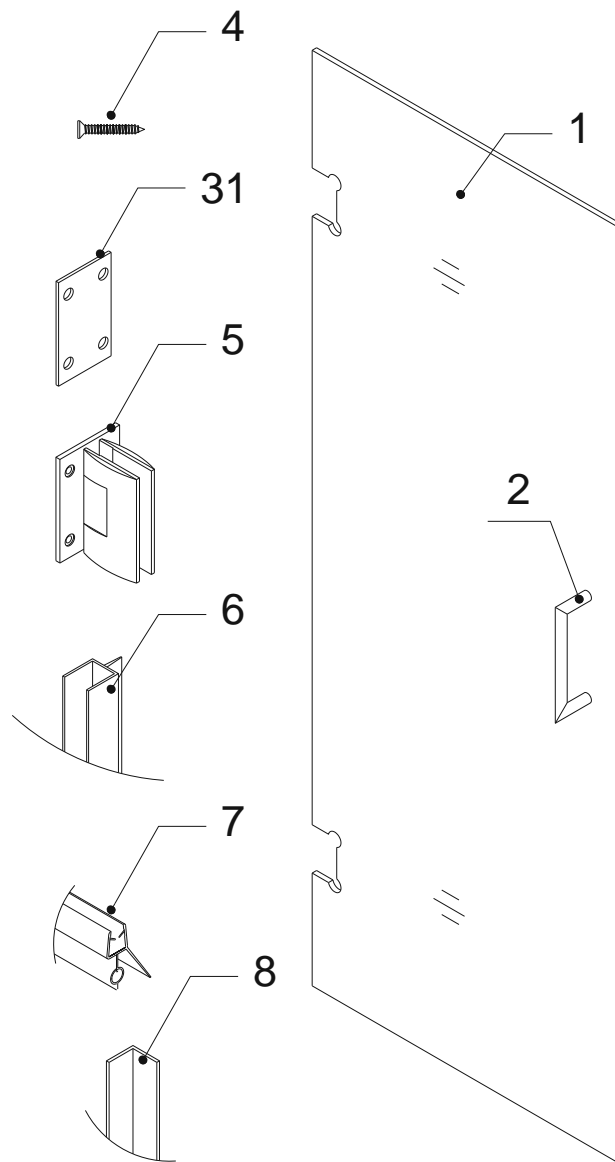
UNIDOOR GLASS-TO-WALL HINGE AND HANDLE LOCATION



UNIDOOR GLASS-TO-WALL HINGE - HOLE ARRAY



Detailed Diagram of Shower Door Components



The glass surface with the **ClearMax™** label must be installed to face inside of the shower

Packing List

Part#	Description	Qty	Part#	Description	Qty
01	Door glass	1pc	06	Side strip (hinge side)	1pc
02	Handle	1pc	07	Bottom anti-water strip (sweep)	1pc
04	Countersunk screw ST5×70	8pcs	08*	L-shaped strip (strike)	1pc
05	Hinge with Adjustable angle	2pcs	31	PVC hinge spacer	4pcs

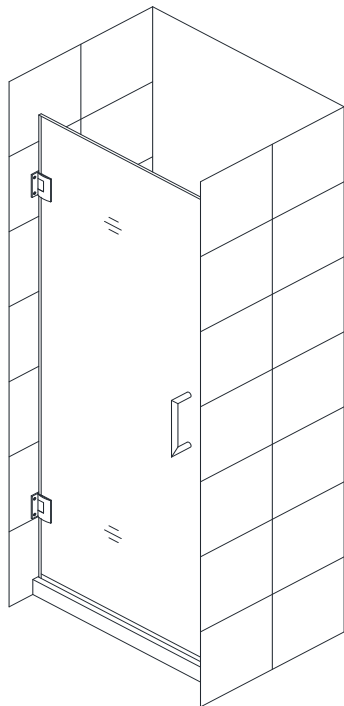
***Part #8 “L-shaped strip” used with single door installation only.**

NOTE: Unpack your unit carefully and inspect it. Lay out and identify all parts using the detailed diagram and packing list in this manual as a reference. Before discarding the carton, check for small hardware bags that may have fallen to the bottom of the box. If any parts are damaged or missing, please contact DreamLine® for replacement.

NOTE: Retain these installation instructions for future reference.

Single Shower Door Assembly and Installation

NOTE: The following shower door installation instructions should be used as a general guide and prerequisite to the installation of the UNIDOOR, UNIDOOR-LS, UNIDOOR LUX and UNIDOOR PLUS models. Before you begin the installation, please check your finished opening size. Specific size information can be found on DreamLine.com



ATTENTION:

This door is extremely heavy and the hinges on this door must be installed into studs or to preinstalled 2×6 wood reinforcement behind the wall.

NOTE: DO NOT attach the handle to the door glass until instructed.

DO NOT use the handle to lift the glass during installation. This may result in damage to the glass and/or serious injury. Always use an assistant or a professional grade glass suction cup when handling the door glass.

1. Attach the **Hinges (05)** to the **Door Glass (01)**. Use one hinge gasket per side. Attach the hinges centered in the notches and square with the edge of the door glass. Fully tighten the hinge bolts. **(Fig 1)**

TIP: Clean the hinge gaskets and the glass around the hinge notch with an ammonia free glass cleaner prior to attaching the hinges to the glass.

Never set the glass down directly onto a tile or concrete floor. Always use a piece of wood or cardboard and leave the corner pads and protective shims on the glass until it becomes necessary to remove them. This will protect the bottom edge and corners from damage which could lead to breakage.

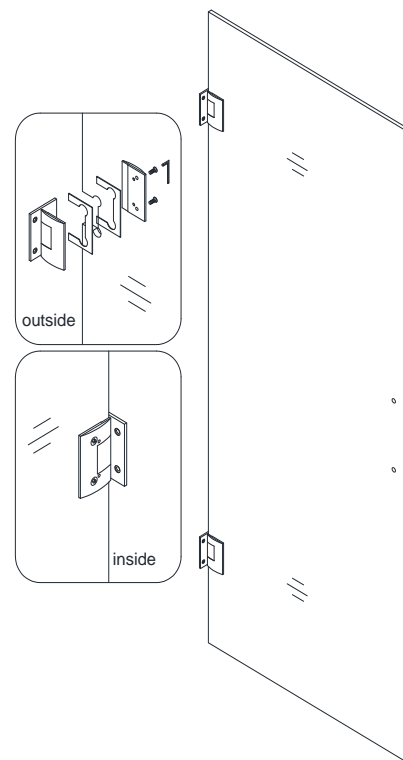


Fig. 1

ATTENTION:

For Styles E, I, J & L that have return panels:

Please check the model dimensions for proper placement of the Door Glass (01) so that the door glass will align correctly with the return panel glass.

2. The **Door Glass (01)** ships with four 5/8" shims attached to the top (2pcs) and bottom (2pcs). Determine the swing of your door and only remove the shims from the top of the door glass, leaving the bottom shims in place. Set the **Door Glass (01)** onto the threshold at the desired location and check for level. These 5/8" shims will leave the proper spacing at the bottom of the door glass and will ensure that the door height finishes at 72", but always confirm with a measurement. Carefully butt the door with the hinged side against the wall, adjust its position and check for plumb with a level. **(Fig 2)**

ATTENTION:

Check the door glass with a level to verify that it is plumb before marking the hinge positions.

TIP:

When installing the door along with panel glass, use the 72" Anti-Water strip (Inline) (19) that is packed with the panel glass as a height reference to be sure that the door height will match the panel glass at 72".

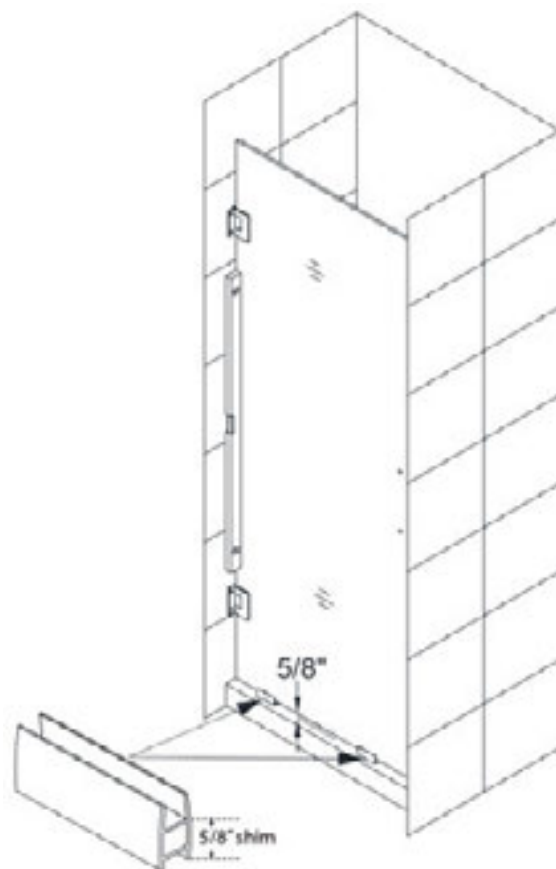


Fig. 2

3. Hold the door in place and mark the drill holes for both **Hinges (05)** on the wall. Set the door aside and use a $\text{Ø } 1/4\text{''}$ drill bit to drill holes up to the stud. Drill 1/8" pilot holes into the stud if necessary.

IMPORTANT:

The included PVC hinge spacers (31) are provided to compensate for minor out-of-plumb wall conditions. Use only as necessary as their use could compromise the opening size of your shower. Please see Fig 4 for an installation example*.

4. Place the **Door Glass (01)** back onto the threshold along with the 5/8" spacers and attach both hinges to the wall with two **Countersunk screws ST5×70 (04)** on the hinge from outside of the shower. Then open the door and install the remaining screws to both wall plates from the inside.

(Fig 3 and Fig 4)

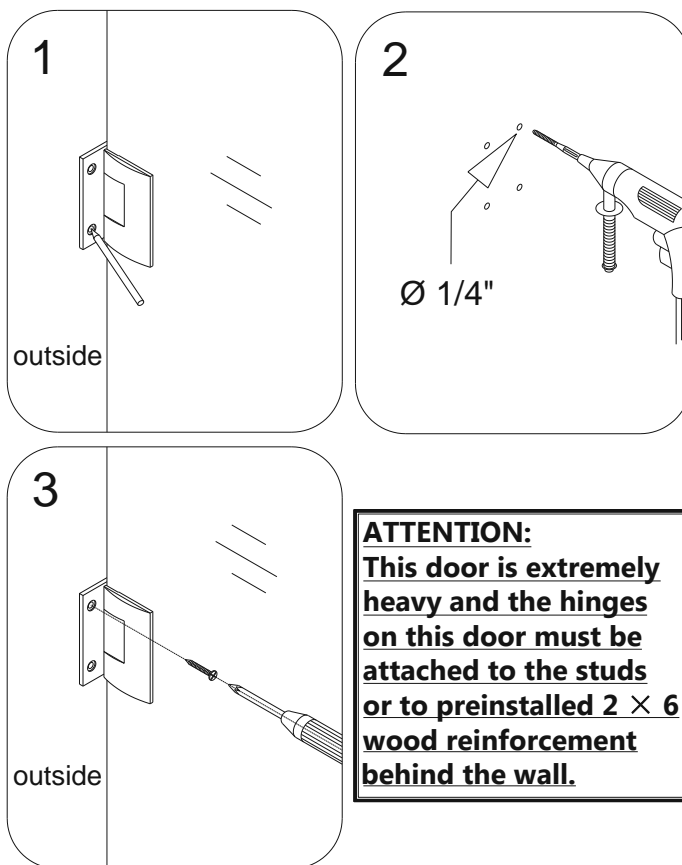


Fig. 3

TIP: The PVC hinge spacer can also be used as a template to assist with marking the hinge mounting holes.

***Only use the PVC hinge spacer to correct for minor out-of-plumb wall conditions.**

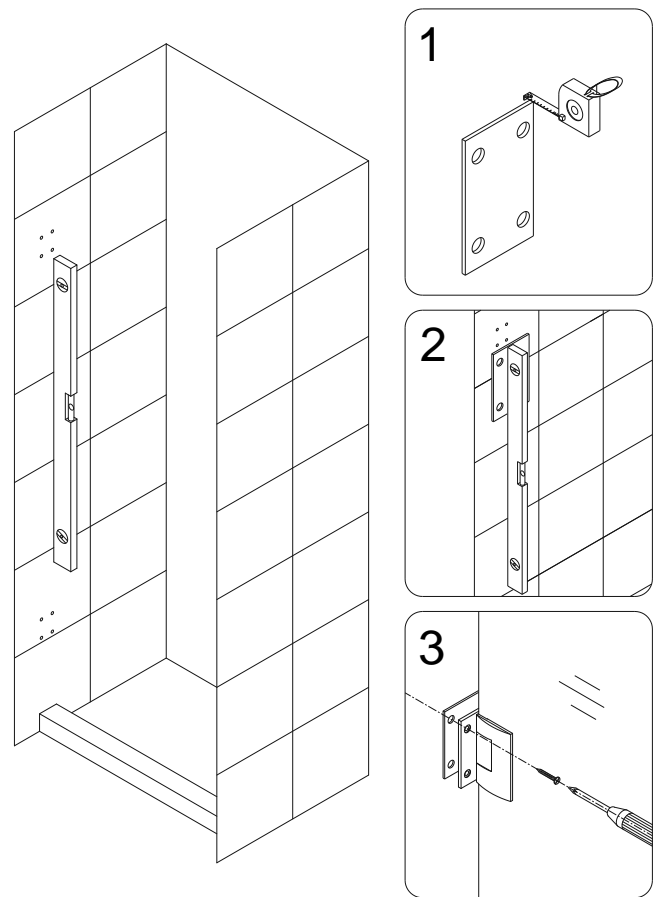


Fig. 4

ATTENTION:

As viewed from inside the shower, the hinge plate is very close to the drilled holes in the wall and might get scratched while installing the long screws. Be careful not to scratch the hinge surfaces during installation.

(OPTIONAL)

5. Carefully remove the hinge plates from the **Hinges (05)** (Fig 5.1), remove the **Door Glass (01)** and carefully set it aside.

Install the remaining **Countersunk screws ST5 x 70 (04)** into the wall, place the **Door Glass (01)** (with the 5/8" bottom spacers still attached) back into position onto the **Hinges (05)** and re-assemble the **Hinges (05)**. Once the door glass is secure, remove the 5/8" spacers from beneath the **Door Glass (01)**. (Fig 5)

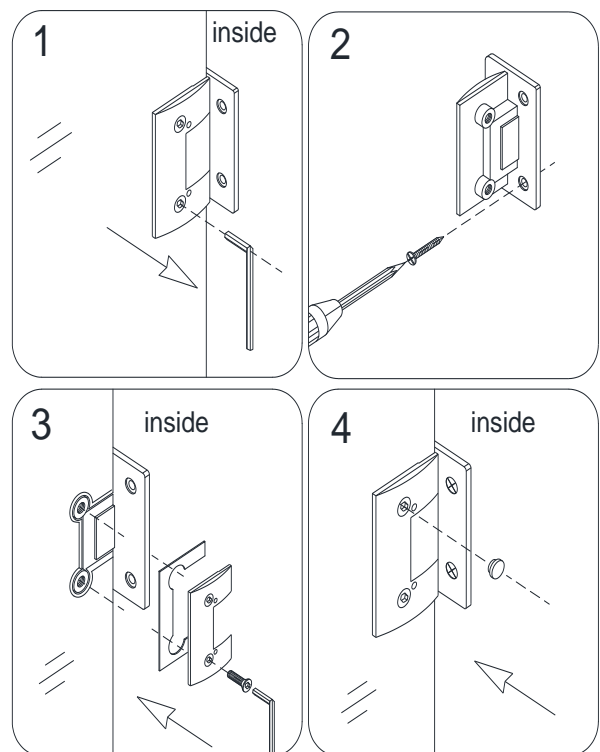
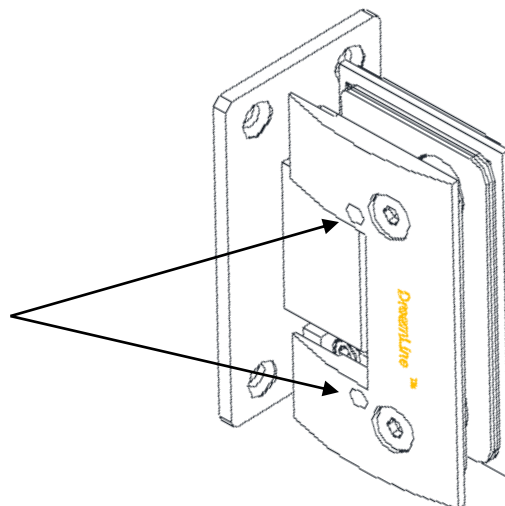


Fig. 5

Setting the Adjustable Hinges

The Adjustable hinges are pre-set to overclose to 85° and are adjustable up to 90° after the door is installed. Once the door glass is installed, simply loosen the Allen set screws and position the door to the desired closed position. While holding the door in the new closed position, retighten the Allen screws and your door will now self-center to the chosen closed position.



5a. Make sure the door glass is plumb and the edge of the hinge is installed flush with the glass edge. Center the hinge in the glass notch and tighten the faceplate screws (**Fig 5a**). Be careful not to scratch the finished surfaces of the hinge during installation.

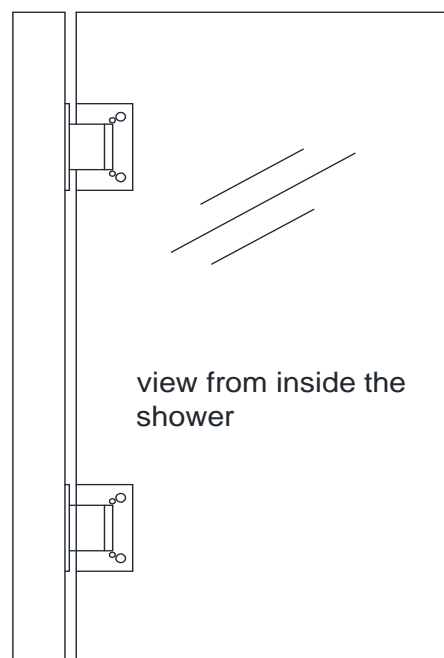


Fig 5a

5b. The hinges are factory set to 85 degrees. You can change this angle by using the adjustment screws on the hinge plate.

(Fig 5b)

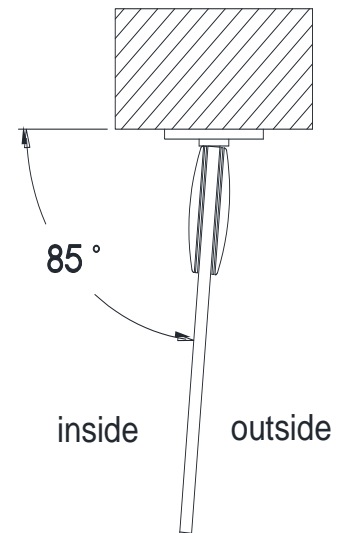


Fig 5b

5c. Use the supplied Allen Key to loosen the adjustment screws on the inside hinge plate, adjust the door to the desired angle (90 degrees for example) then retighten the adjustment screws **(Fig 5c)**. Be sure that you create a tight seal with the supplied strike vinyl when the door is in the closed position.

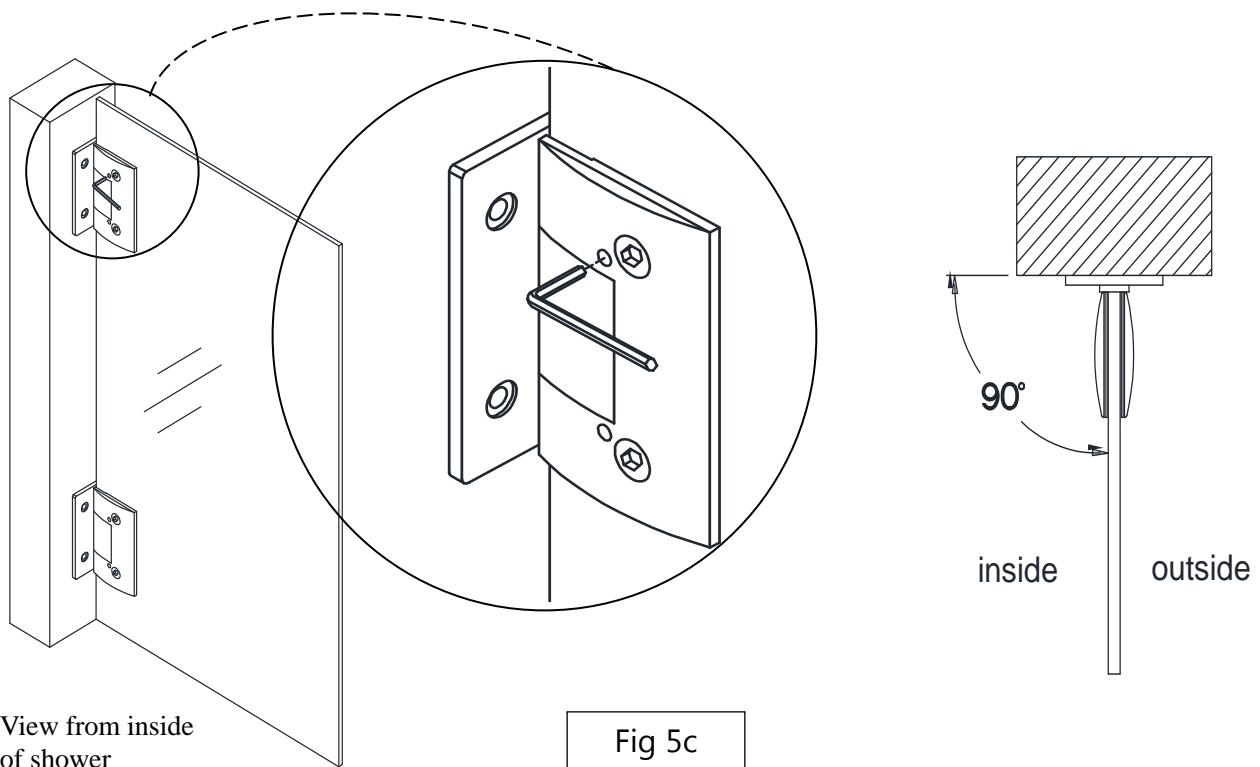


Fig 5c

6. Mount the **Handle (02)** to the **Door Glass (01)**.
(Fig 6)

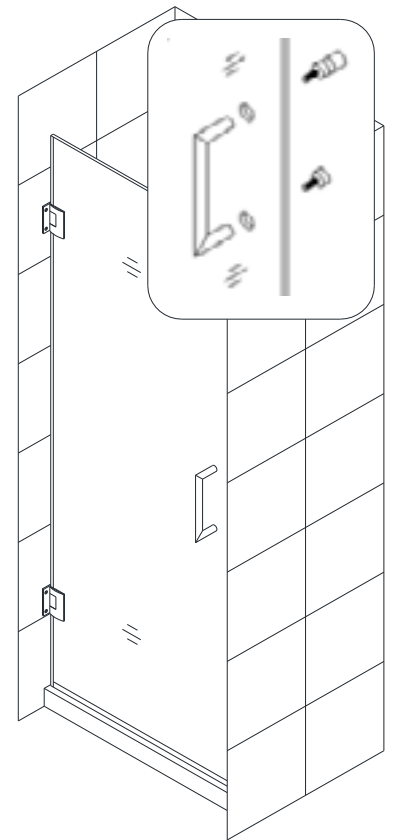


Fig. 6

7. Measure the bottom of the **Door Glass (01)** from end to end to determine the actual width of the **door**. Cut the **Bottom anti-water strip (07)** to the size of your measurement and notch approximately 3/8" off the inner side of the **Bottom anti-water strip as shown**. Press the **Bottom Anti-water strip (07)** tightly onto the bottom edge of the **Door Glass (01)**.

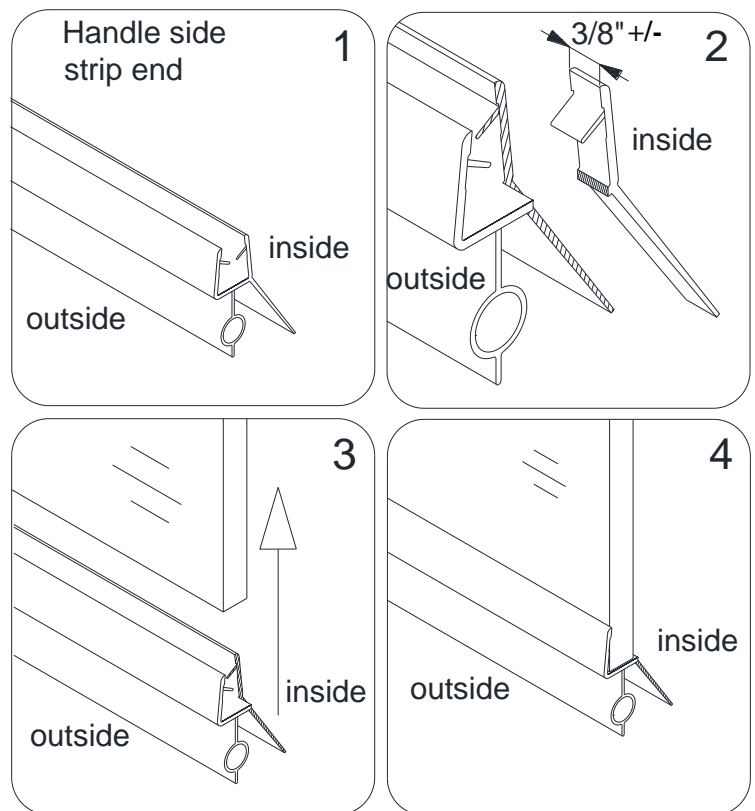


Fig. 7

NOTICE:

Make sure the **Bottom anti-water strip** is flush to the vertical edge of the **Handle side** of the **Door Glass**.

(Fig 7)

8. Take three measurements:

- from the top edge of the **Door Glass (01)** to the upper body of the top **Hinge (05)** (+) $7/8$ "
- from the lower body of the upper **Hinge** to the upper body of the bottom **Hinge** (+) $1-3/4$ "
- from the lower body of the bottom **Hinge** to top of the installed **Bottom anti-water strip (07)** (+) $1-7/8$ "

Cut the **Side strip (06)** according to the measurements.

Notch the cut strips to be able to slide them into the **Hinge** and around the sweep vinyl to cover the space to the wall.

Press the cut strips onto the vertical edge of the **Door Glass**.

(Fig 8)

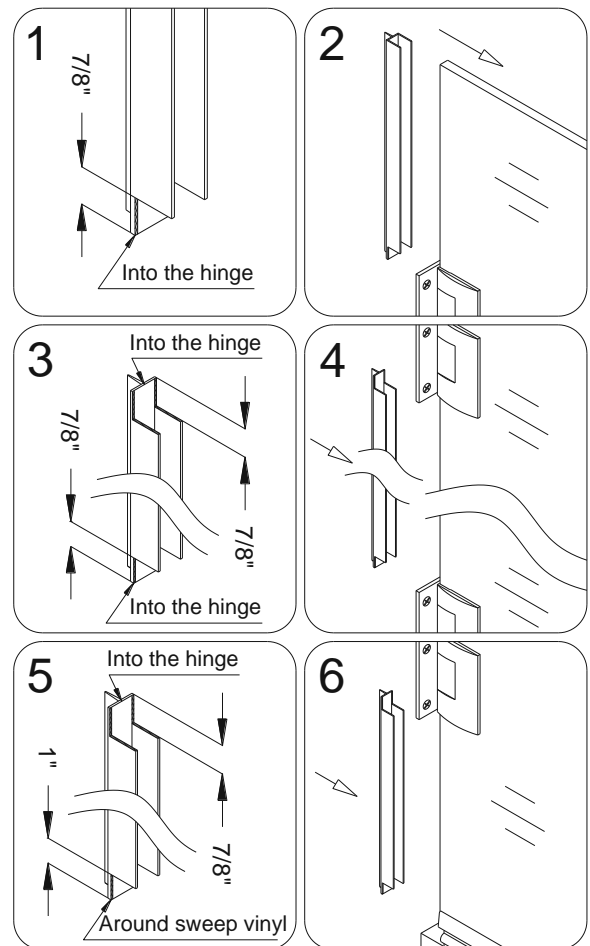


Fig. 8

ATTENTION; Prior to the next step, please be sure that the section of the wall where you need to attach the L-shaped strip (08) is clean, dry and free from soap, oil and any construction debris.

- 9.** Hold the door in the closed position, parallel to the threshold. Place the ***L-shaped strip (08)** onto the door edge. Make sure that the door glass makes good contact with the entire length of the **L-shaped strip (08)**, and mark its location on the wall.

Open the door. Remove the tape backing from the adhesive strip and firmly press the **L-shaped strip (08)** to the wall.

Allow 24 hours for the adhesive to fully setup before use.

(Fig 9 and Fig 10)

***NOTE:**

The above procedure for installing the L-shaped strip (08) is for the Unidoor Style A single shower door installation only. When installing another model with additional panel glass, please refer to the separate panel installation manual located in the glass packaging for model specific instructions. The vinyl seals that apply to the panel glass are packaged with the panel glass.

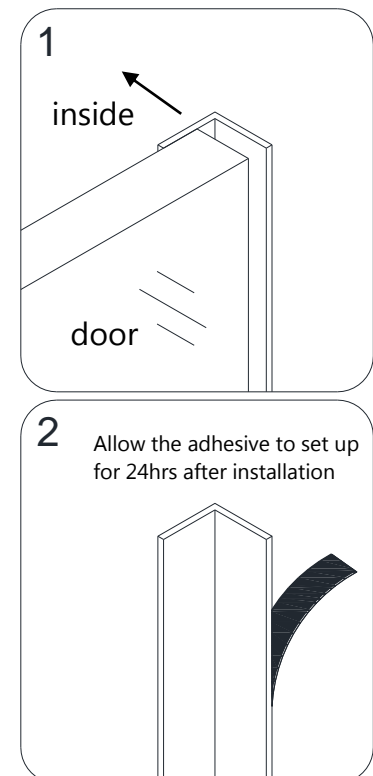


Fig. 9

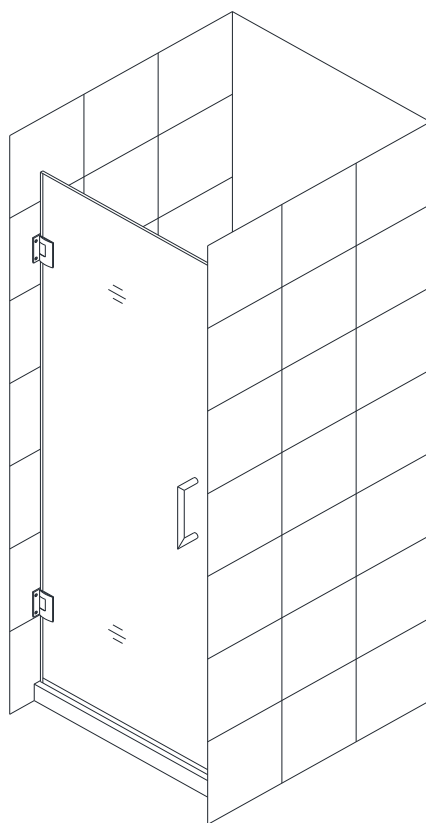


Fig. 10

**If the model includes additional panel glass,
refer to the manual that is packaged with
the panel glass to continue with the installation.**

Product Maintenance

BASES and BACKWALLS: To ensure long-lasting life for your acrylic back walls: wipe them off after each use with a soft cloth. To clean the acrylic back walls use non-abrasive sprays or cream based cleaners. Avoid the use of aerosol spray cleaners. Never use abrasive cleansers, metal brushes or scrapers that could scratch or dull the surface.

GLASS: To ensure long-lasting life for your glass shower products: wipe them off after each use with a soft cloth. Rinse and wipe off the glass using either a soft cloth or a squeegee to prevent soap buildup and water spots (Hard water can etch the surface of the glass over time if left to dry). To prevent scratching the surface: never use abrasive cleaners or cleaning products that contain scouring agents. Never use bristle brushes or abrasive sponges that may scratch the surface.

HARDWARE: To ensure a long-lasting finish: wipe off the metal parts after each use with a soft cloth. Do not use abrasive cleaners or cleaning products containing ammonia, bleach or acid. If accidentally used, rinse the surface as soon as possible to prevent damage to the finish (peeling or corrosion). After cleaning the polished finishes, rinse thoroughly and wipe dry with a soft cloth. Clean stainless steel surfaces at least once a week. When applying stainless steel cleaner or polish to stainless steel hardware, work with (not across) the grain. Never use an abrasive sponge or cloth, steel wool or wired brush as these may permanently scratch the surfaces.

NOTE: To maximize the life of your door, it is important to regularly inspect the glass and other hardware for misalignment, proper attachment, and/or damage. Contact DreamLine® with any questions or concerns.

DreamLine® shower doors and enclosures are designed not to leak when installed properly and the flow of water is not pointed directly at the wall-mounted hinges or vinyl seals.



TEL: [866-731-2244](tel:866-731-2244)

FAX: [866-857-3638](tel:866-857-3638)

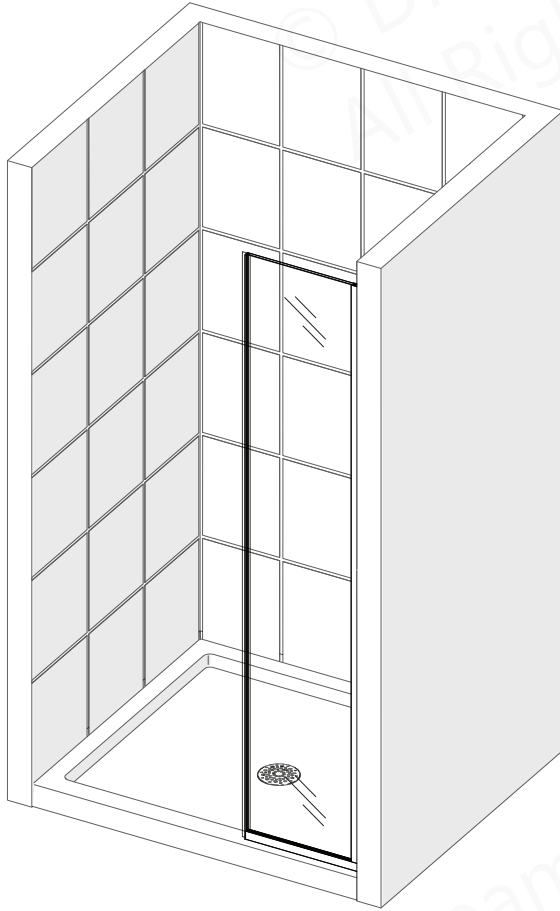
DREAMLINE.COM

For more information on [DreamLine® Shower Doors](#) and [Enclosures](#) please visit DreamLine.com

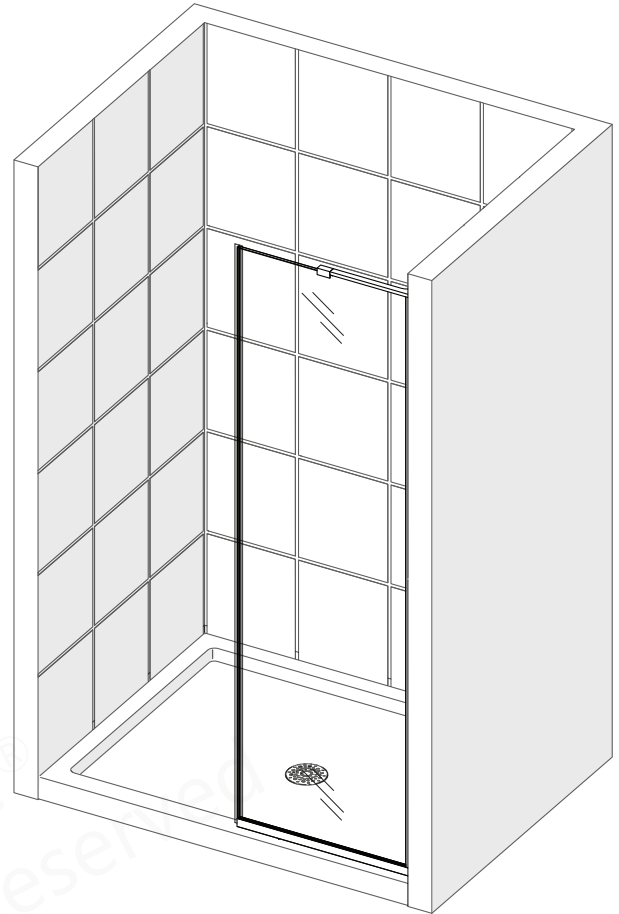
INLINE PANEL (STYLE F)

INLINE PANEL GLASS INSTALLATION INSTRUCTIONS

PLEASE REVIEW THIS ENTIRE MANUAL PRIOR TO INSTALLATION



right-hand inline panel installation shown



*with L-Bar™ support bracket

*L-Bar™ only included with ELEGANCE PLUS models
with nominal panel glass sizes 22", 22-1/2", 30", 30-1/2" & 34"

IMPORTANT!

DreamLine® reserves the right to alter, modify or redesign products at any time without prior notice for the purpose of product improvement and customer experience. Please refer to the model's web page on **DreamLine.com** for the latest technical drawings, installation manuals, warranty information or additional product details.

Do Not Return Product to the Store. Contact DreamLine® with any questions



Questions?

Please Call **DreamLine** Customer Support: **1-866-731-2244**
Hours of Operation M-F 8AM - 6PM EST

Support@DreamLine.com





This model is treated with DreamLine’s exclusive ClearMax™ Glass technology. This is a specially formulated coating that prevents the build up of soap and water spots.

Install the surface with the ClearMax™ label towards the inside of the shower. Please note that depending on the model, the glass may be coated on either one or both surfaces.

For best results, squeegee the glass after each use and dry with a soft cloth.

Record the following purchase information for your records or in the event you need to contact DreamLine®:

Purchase Order Number _____

Store/Vendor Purchased From _____

Installation Date _____

OD Number (optional) _____
located on the shipping box or label if available.


Installed By: _____

SKU Number _____


Table of Contents

Section Title	Page #
ClearMax™ Coating Information	—
Warnings and General Preparaton	2
Model Specific Preparation	3
Tools	4
Detailed Diagram of Inline Panel Glass Components	5
Parts List	6
Installation Steps	7-26
180° Strike Vinyl Installation	21
Reversible L-Bar™ Installation (*for ELEGANCE PLUS model only)	23-26
Product Maintenance	27
Reversible L-Bar™ Feature	28-29
Troubleshooting	30
Factory Parts Information	31
Product SKUs	32-33


Symbol Legend




TIP - for ease of installation.




CORRECT - recommended.



NOTE - take note of special feature; additional information.

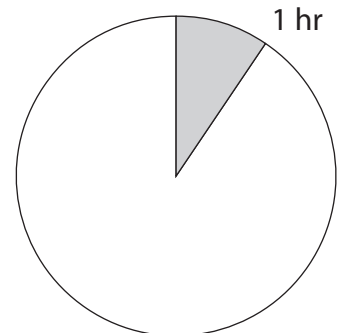


INCORRECT - not recommended.



REQUIRED - requires special attention; signifies a warning.

Average Installation Time





IMPORTANT

- DreamLine® reserves the right to alter, modify or redesign products any time without prior notice for product improvement and customer experience. Please refer to the model's web page on DreamLine.com for the latest technical drawings, installation manuals, warranty information or additional product details.
- This product should be installed by someone familiar with the construction requirements for this type of project and the care necessary for the safe installation and operation of the product.
- The safety of any installation is the responsibility of the installer.
- Professional installation recommended. (All Models)
- Professional installation required. (Enigma Series)
- To prevent damage or serious injury, Do Not lean against the installed panel/door/glass.
- To prevent damage or serious injury: Do Not attempt to lift or move a heavy lite of glass alone. Use an assistant and/or a professional grade glass suction cup.
- The installation of some models may require drilling down into the threshold. Contact the manufacturer of the base, tub, or threshold material with any questions regarding the drilling of holes into their product.
- All drawings in this installation manual are for illustrative purposes only and are not drawn to scale.

GENERAL PREPARATION

- After opening all boxes and packages, read this introduction carefully. Check that all the items are included in the package by marking off the components on the "Detailed Diagram of Product Components" page. Examine all boxes and packages for shipping damage. If the unit has been damaged, has a finishing defect, or is missing parts; please contact our Customer Support department within 3 business days of the delivery date. **Please note that DreamLine® will not replace any damaged products or missing parts free of charge after 3 business days or if the product has been installed.** Please contact DreamLine® if you have any questions.
- **Please note that you should refer to your local building codes with questions on installation compliance standards. Building and plumbing codes may vary by location, and DreamLine® is not responsible for code compliance standards for your project and will not accept any returns.**
- If this unit is going to be installed in a new construction, install all the required plumbing and drainage before installing the shower. **Use a competent and licensed (if required by local code) plumber for all plumbing installation.**
- Make sure that prior to beginning the installation, the surfaces are leveled and solid and will be able to support the total weight of the unit. Also make sure the walls are at right angles. Irregular installation surface level, radius corners or improper angle of side walls will result in serious problems for your installation. Please note that some adjustments and drilling will be necessary during the installation process.
- Protect all primary surfaces of the product during installation. Never set your glass down directly onto a tile floor. Leave corner protectors in place until it is necessary to remove them. Always use a piece of wood or cardboard to protect the bottom edge and corners of the glass prior to and during installation.
- This unit must be installed upon a finished threshold and against finished walls.
- *DreamLine® shower doors are not designed to be installed into a fiberglass surround due to the radius corners and lack of a solid surface to mount the hardware.*

TEMPERED GLASS WARNING

- Your Shower Door Glass Could Shatter Without Warning if Improperly Installed or Mishandled
- Do Not install or operate a shower door if the glass has chipped corners, slivered edges or is otherwise damaged and/or has been dropped or banged into a hard surface such as tile, marble or glass.
- **The main causes of tempered glass breakage are:**
 - Improper handling, storage or installation
 - Misuse/abuse
 - Lack of maintenance
 - Failure to replace damaged glass
 - **Improper handling during storage, unpacking and installation:**
 - Corners and edges are the most susceptible area to damage on a lite of tempered glass and should be protected and handled with care during storage, unpacking, installation and operation. A concentrated point of pressure or impact with a surface harder than itself may cause the tempered glass to shatter. The tempered glass may release immediately, within several hours or even days later.
 - **Incorrect installation of door hardware, rollers, hinges, channels, stopper or glass:**
 - Improper installation may include: loose hardware and/or lack of proper gaskets between the hardware and glass. Additionally, improper alignment of guide rails, wall profiles or other hardware during installation or operation may place stress on the glass edges and cause it to break.
 - This product must be installed by a professional and experienced installer familiar with the safe handling of tempered glass.
 - **Improper use of this product:**
 - Aggressively opening or closing the door may cause trauma to the glass, which can lead to breakage. This may occur immediately or hours or even days later.
 - **The shower door hardware and glass should be inspected periodically:**
 - Instruct the homeowner how to perform a periodic inspection of the shower hardware and glass - some minor adjustments may be necessary based upon the use (or misuse) of the shower door. Ensure that the hardware remains tight and that the door alignment and operation are correct. Any adjustments should be made upon discovery to prevent damage to the product.
 - Additional considerations should be given to the installation of frameless tempered glass products in households with young children or an elderly person due to an increased chance of improper handling. In such cases, alternatives such as shower curtains or grab bars should be considered.

WARNING: TO AVOID THE RISK OF DAMAGE OR INJURY:

- **Follow all recommendations and requirements as shown in the installation instructions.**
- Perform a thorough inspection of the glass and all parts for any damage prior to installation. Any damage to tempered glass can cause breakage. **Do Not install damaged glass!**
- Do Not install or operate a shower or tub door if the glass has chipped corners, slivered edges or is otherwise damaged. Do Not install or operate a shower or tub door that has been dropped or banged into a hard surface such as tile, marble or glass.
- **CAUTION:** Contact with any hard surface can damage tempered glass and cause it to shatter.
- This product uses tempered glass. Glass cannot be cut after it has been tempered. **Do Not attempt to cut tempered glass.**
- DreamLine® Glass Shower doors, Tub doors, Inline panels, and Return panels can shatter due to improper handling or lack of maintenance. Conduct periodic inspections of glass and all parts for possible damage, missing or loose parts.
- Always wear proper safety equipment such as: safety goggles, work gloves and appropriate footwear during the installation process.
- **WARNING. Risk of leakage and/or damage.** Follow all instructions regarding the application of silicone sealant or caulk. Allow 24 hours for the sealant to cure before the initial use of the shower or tub product. Follow the silicone manufacturer's recommendations regarding the use of their product.
- **Thoroughly read these instructions before installing or using this product.**
- **Leave this manual for the end-user of the product.**



This product should be installed by someone familiar with the construction requirements for this type of project and the care necessary for the safe installation and operation of the product.

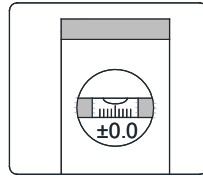


Professional Installation recommended.

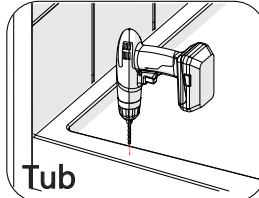
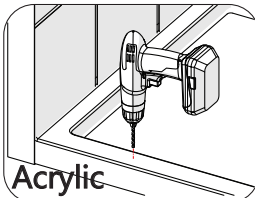
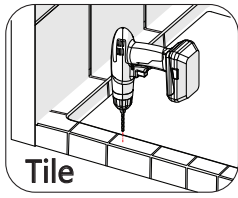
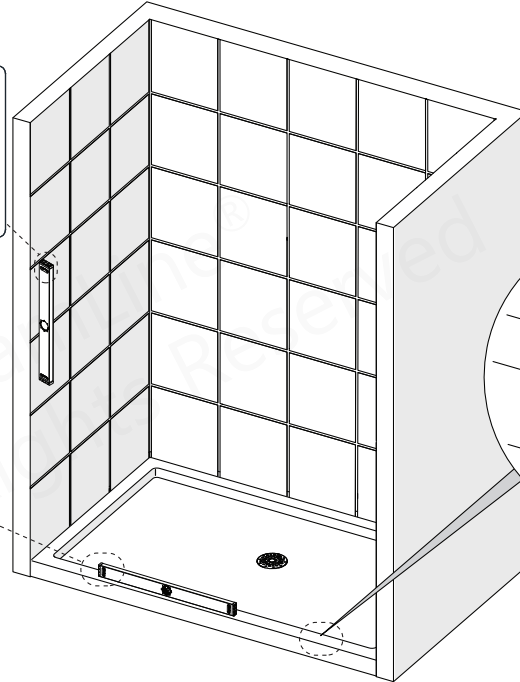
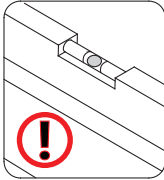
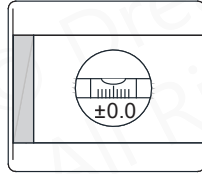
Model Specific Preparation

! REQUIRED:

1/2" Out-of-Plumb Adjustment with the Inline Panel; Verify threshold and walls with a level



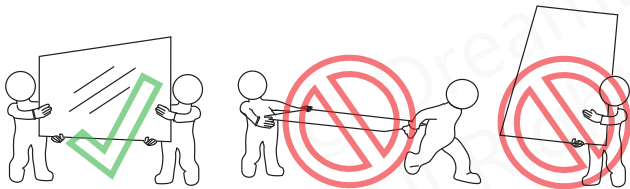
Threshold must be level



Contact the manufacturer of the base, tub or threshold material with any questions regarding the drilling of holes into their product.

right-hand orientation shown

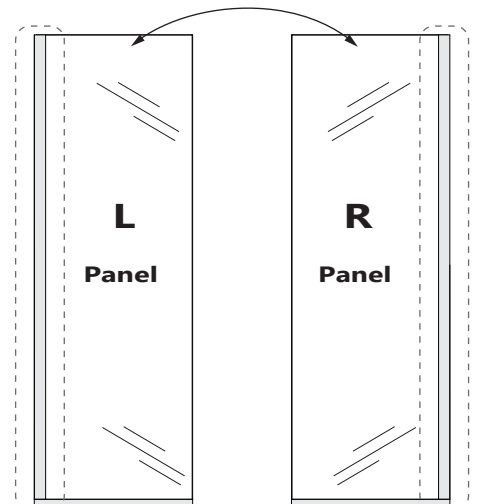
***For ELEGANCE PLUS model only:** this manual will describe the Inline Panel installation using the Reversible L-Bar™ in the right-handed orientation (as shown above). To reverse the L-Bar™ orientation please refer to pages 28-29.



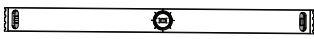
This door recommends professional installation. Two installers recommended.



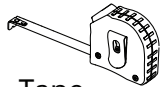
This Inline Panel is reversible for right or left inline panel installation. The right-hand inline panel installation is shown as an example throughout this manual. For the left-hand inline panel installation, simply begin on the opposite wall and reverse the orientation of the installation steps shown.



Tools



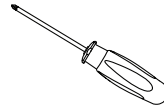
Level



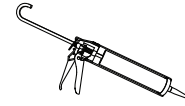
Tape Measure



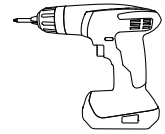
Pencil



#2 Phillips Screwdriver



100 % Silicone



Power Drill



Drill Bit
Ø1/8"
(3mm)



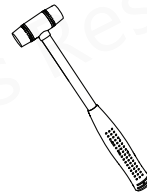
Drill Bit
Ø3/16"
(4mm)



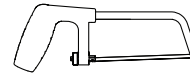
Drill Bit
Ø5/16"
(8mm)



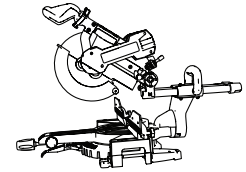
#2 Phillips Driver Bit



Soft Head Hammer



Hacksaw



OR
Mitre Saw



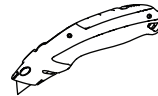
Metal File



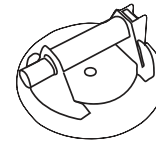
Safety Glasses



Work Gloves



Razor Knife



Professional-grade
Glass Suction Cup
(optional but recommended)



Measure the finished opening before proceeding with the installation to be sure that the correct model size has been ordered.

Use a good quality waterproof, mildew-resistant 100% silicone.

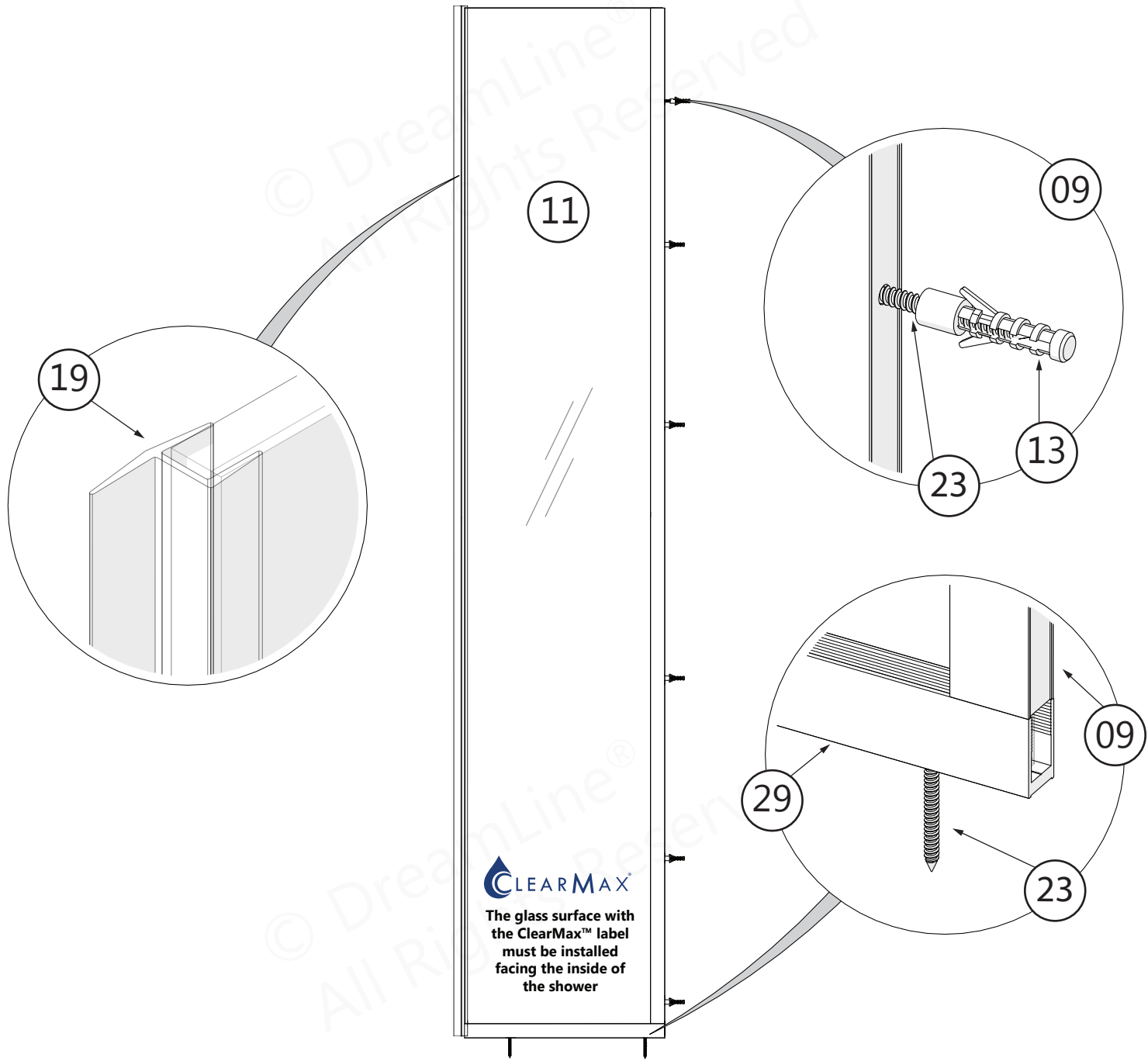
Cover the shower drain with tape prior to installation to prevent the loss of screws or small parts.

To prevent stripping the screw heads, set power drill to a low setting when installing screws.



Unpack your unit carefully and inspect it. Lay it out and identify all parts using the **Detailed Diagram** on page 5; and parts list in this manual as a reference. Before discarding the carton, check for small hardware bags that may have fallen to the bottom of the box. If any parts are damaged or missing, please contact DreamLine® for replacement. The shipping boxes may contain extra parts not used in your model configuration. Retain these installation instructions for future reference.

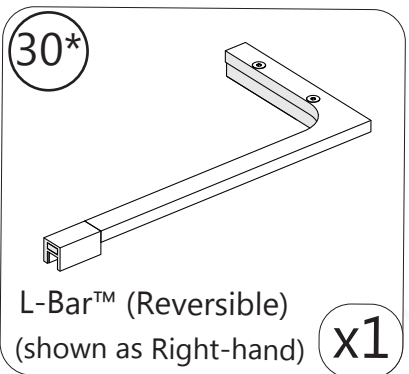
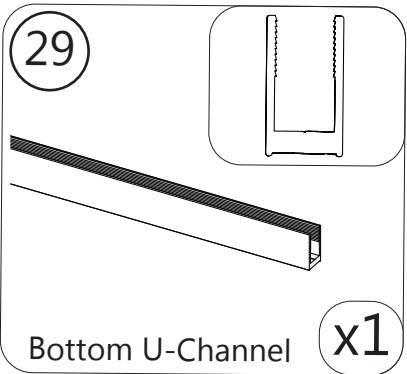
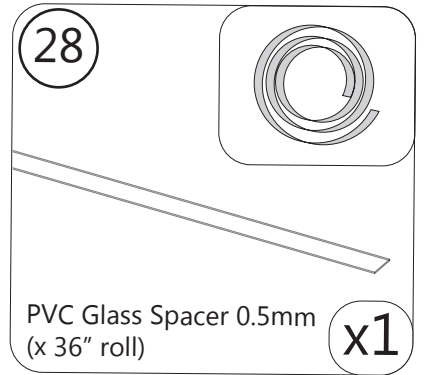
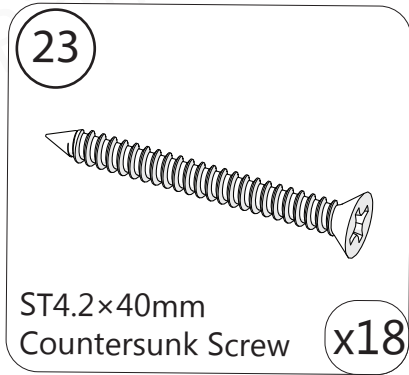
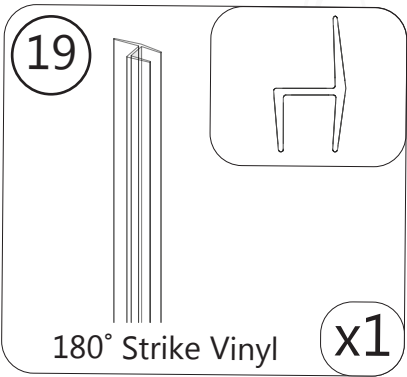
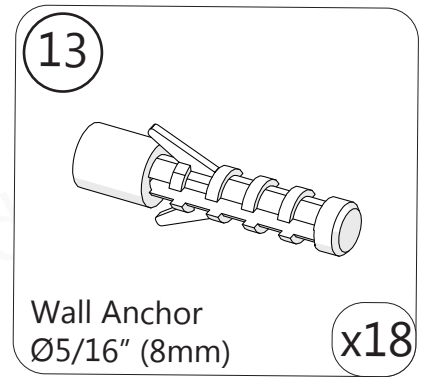
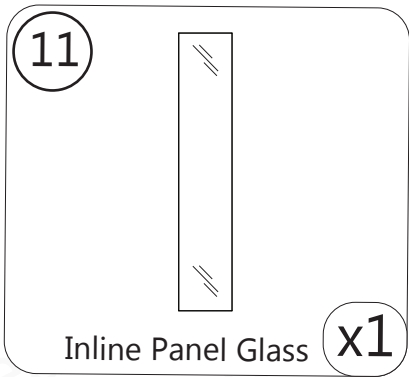
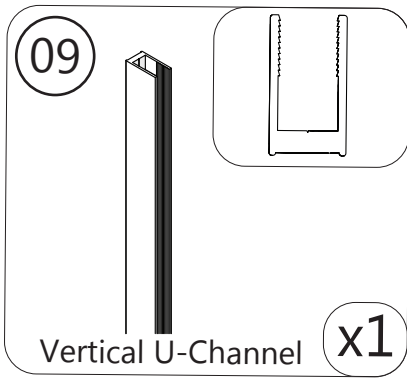
Detailed Diagram of Inline Panel Glass Components



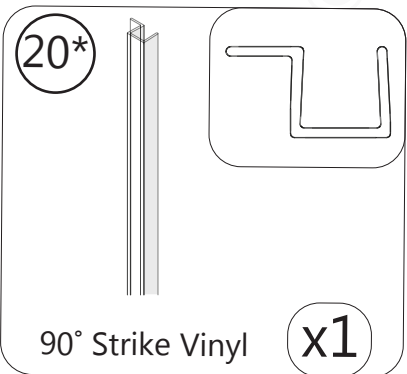
CLEARMAX
The glass surface with the ClearMax™ label must be installed facing the inside of the shower

right-hand panel installation shown

Parts List



***L-Bar™ only available with ELEGANCE PLUS models with inline panel glass of: 22", 22-1/2", 30", 30-1/2", 34"**



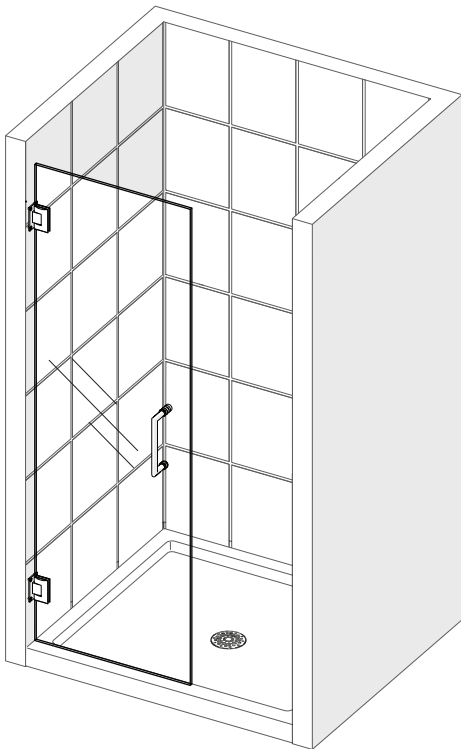
***90° Strike Vinyl is packaged with 30" or larger Panel Glass and is only used with specific enclosure models; The 90° Strike Vinyl is not used for this inline panel installation.**

The Unidoor Plus, Unidoor-X or Elegance Plus Shower Door must be installed prior to proceeding with the following Inline Panel Glass installation instructions.

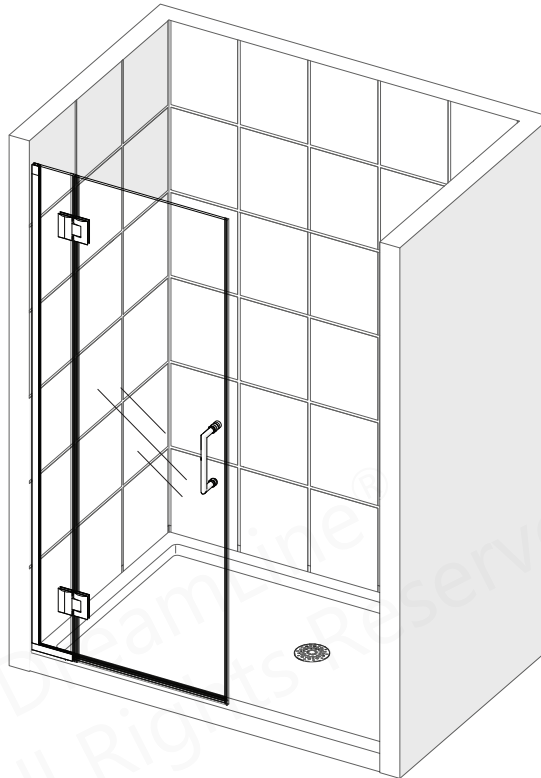


Please see the Single Shower Door Installation Manual packaged with the door glass (or the UNIDOOR-X installation manual that is packaged with the hinge panel glass for glass-to-glass hinge door models) for complete shower door installation instructions.

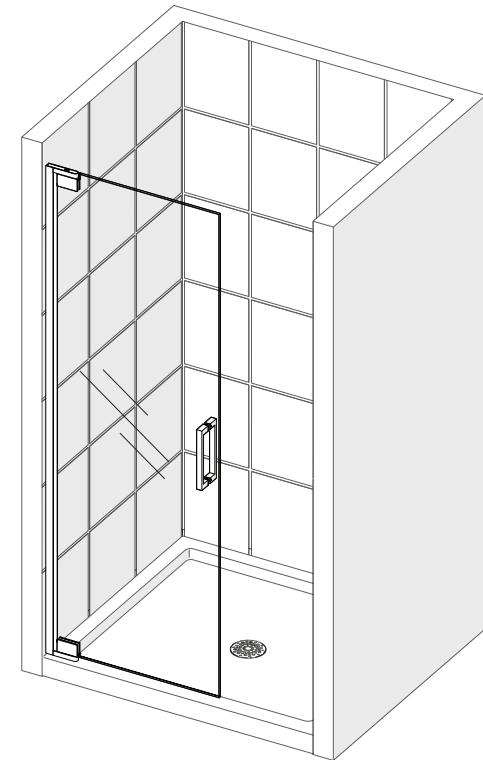
Before you begin the installation, recheck the finished opening size, the walls for plumb and the threshold for level. Specific model size information can be found on DreamLine.com



UNIDOOR PLUS
-Glass-to-wall Hinge door



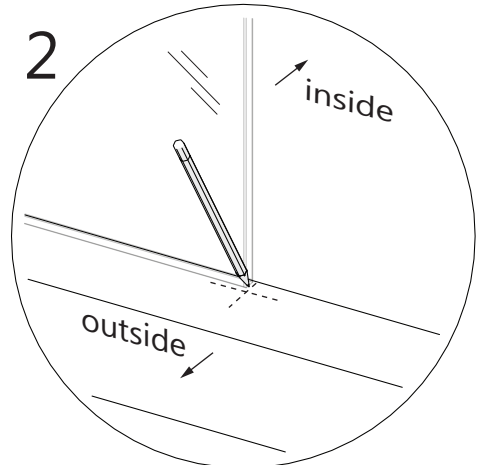
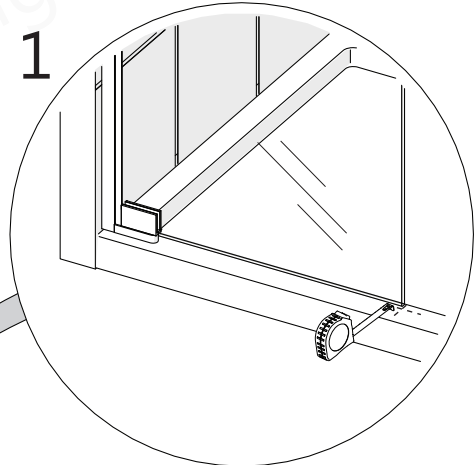
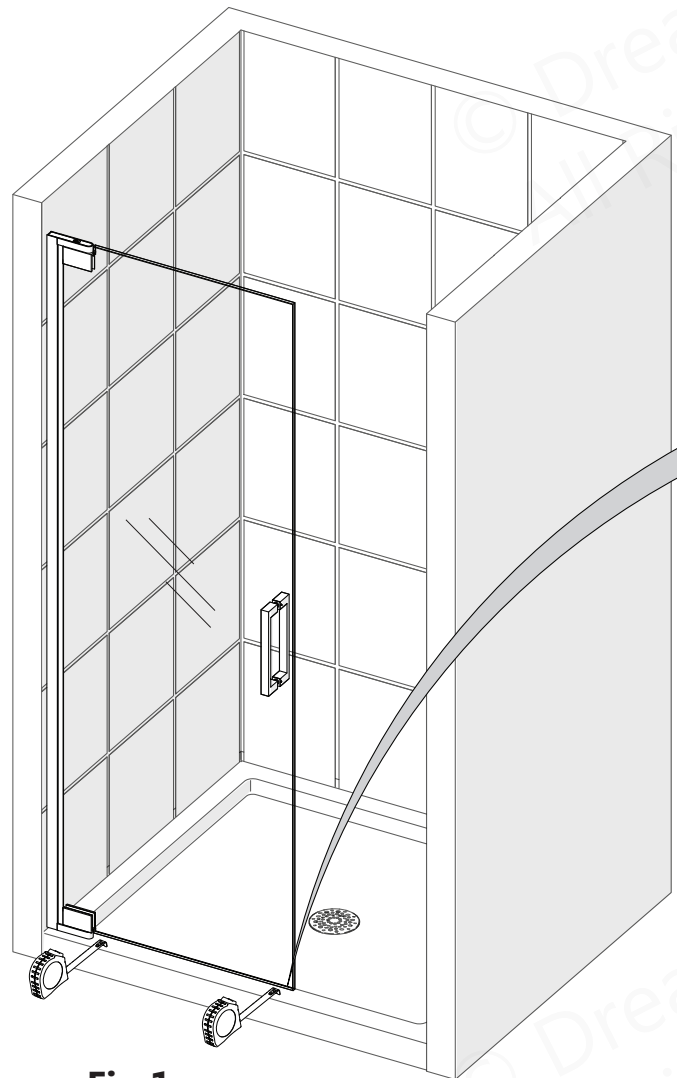
UNIDOOR-X
-Glass-to-glass Hinge door



ELEGANCE PLUS
-Pivot Hinge door

Installation Steps

1



TIP

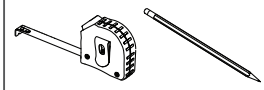
To assist with aligning the **InLine Panel Glass (#11)** with the pre-installed Door Glass, hold the door glass parallel with the outside of the threshold and mark a reference line on the threshold.

Fig 1

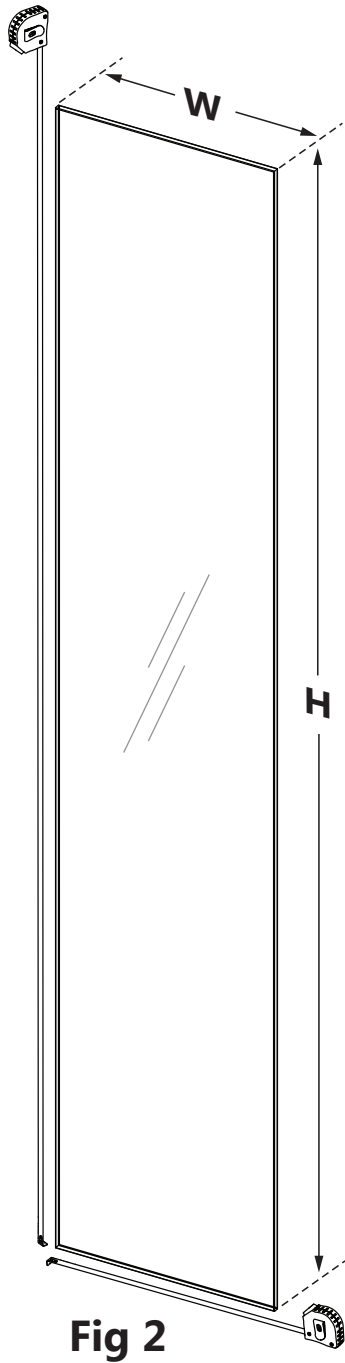
NOTE

The ELEGANCE PLUS shower door is shown as an example throughout this manual

Tools Needed



2



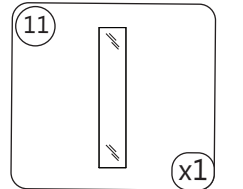
Glass Width (W)

A rounded rectangular box with a pencil icon pointing to it, intended for writing the glass width measurement.

Glass Height (H)

A rounded rectangular box with a pencil icon pointing to it, intended for writing the glass height measurement.

Parts Needed



Tools Needed

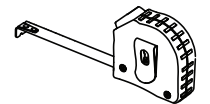
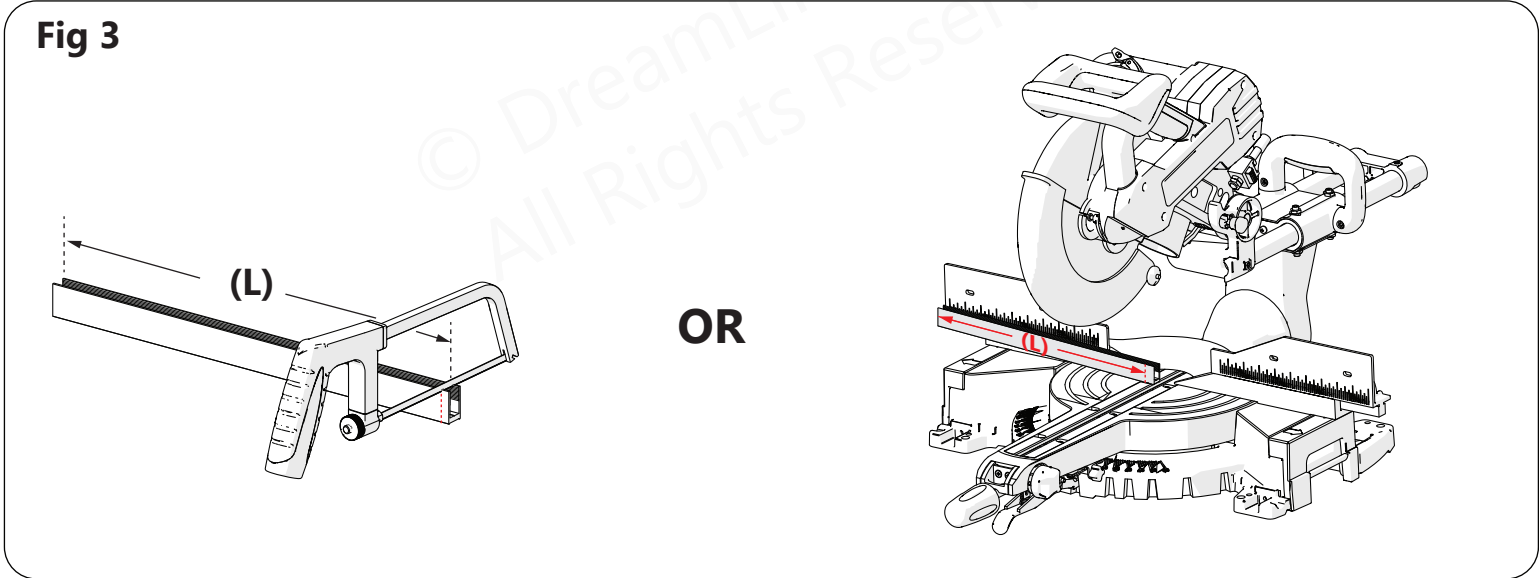
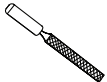


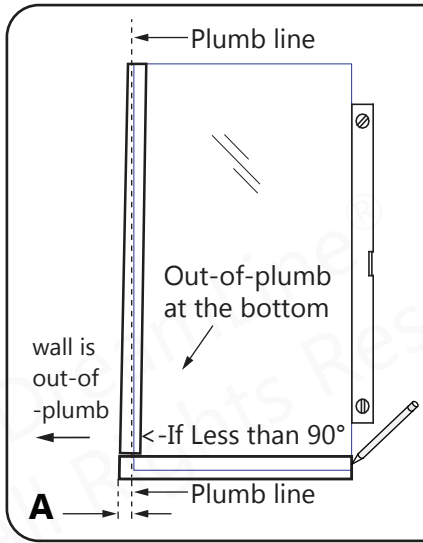
Fig 2

3

Cut the Bottom U-Channel to:
Glass Width (W) + 3/16" = (L)** (see exception below)



 Use a metal file to deburr the cut end

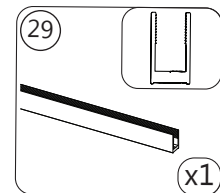


****EXCEPTION:**

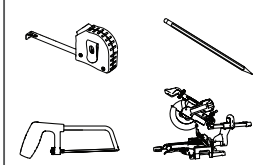
If the wall is out-of-plumb at the bottom, measure that dimension as (A) and add (A) to the finished cut length of the U-channel (+1/2" max):

Glass Width + 3/16" + (A) = Finished cut length (L)

Parts Needed

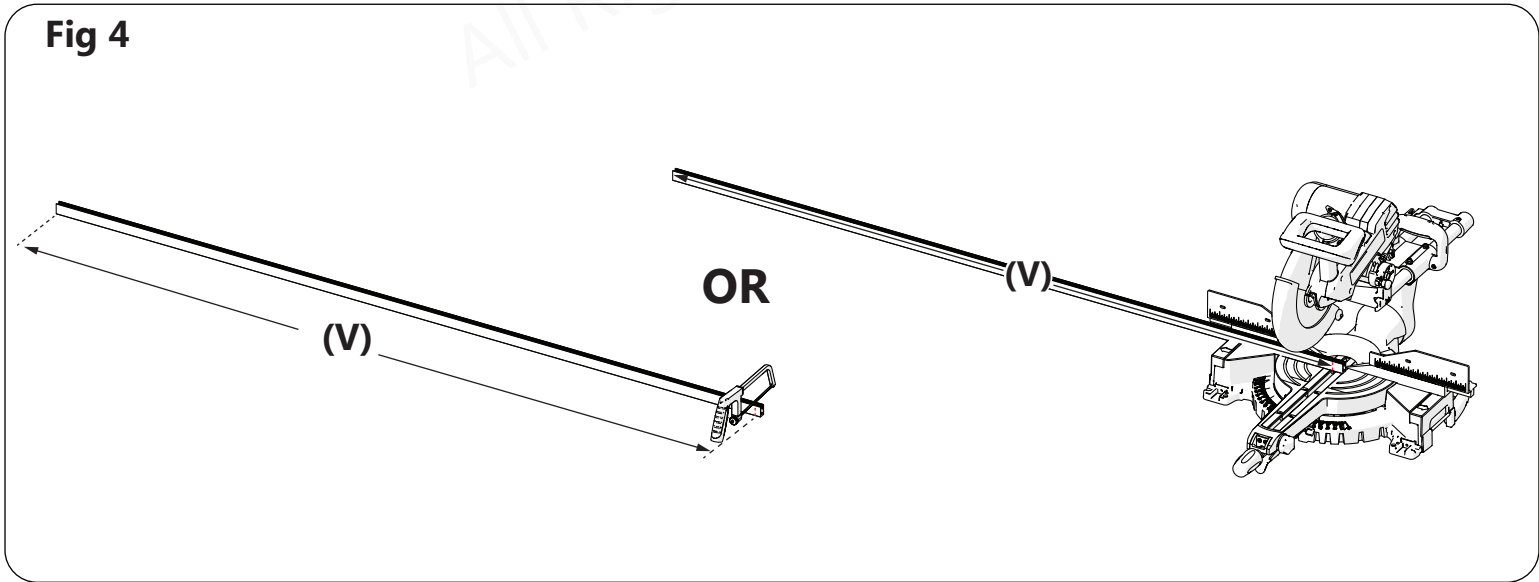


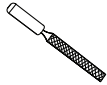
Tools Needed



4

**Cut the Vertical U-Channel to:
Glass Height H (-) 13/16" = V
(for 72" model height, V= 71" (1803.6mm))**

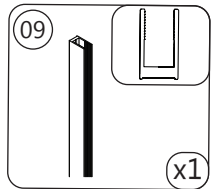


 Use a metal file to deburr the cut end

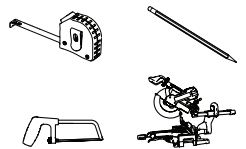


Cut the vertical u-channel to 71" for the standard 72" model height

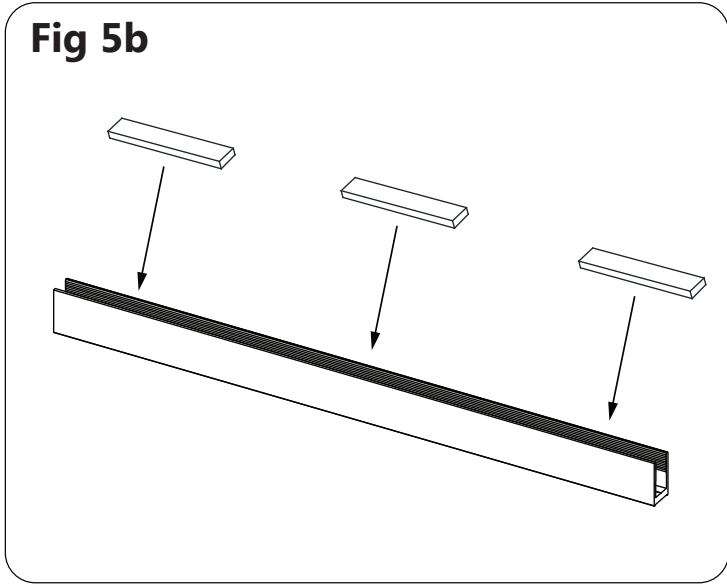
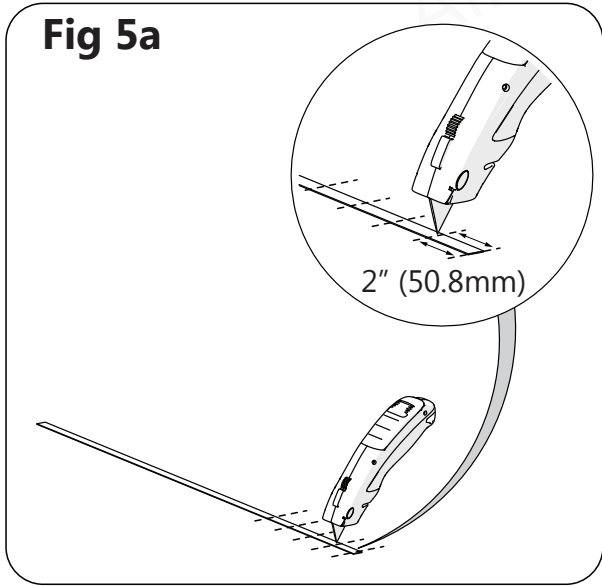
Parts Needed



Tools Needed

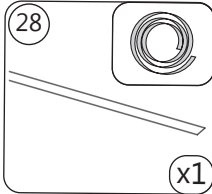


5



**Cut several 2" - 3" pieces of the PVC Glass Spacer 0.5mm (#28).
DO NOT install one long continuous piece into the Bottom (#29) U-Channel**

Parts Needed



Tools Needed



6

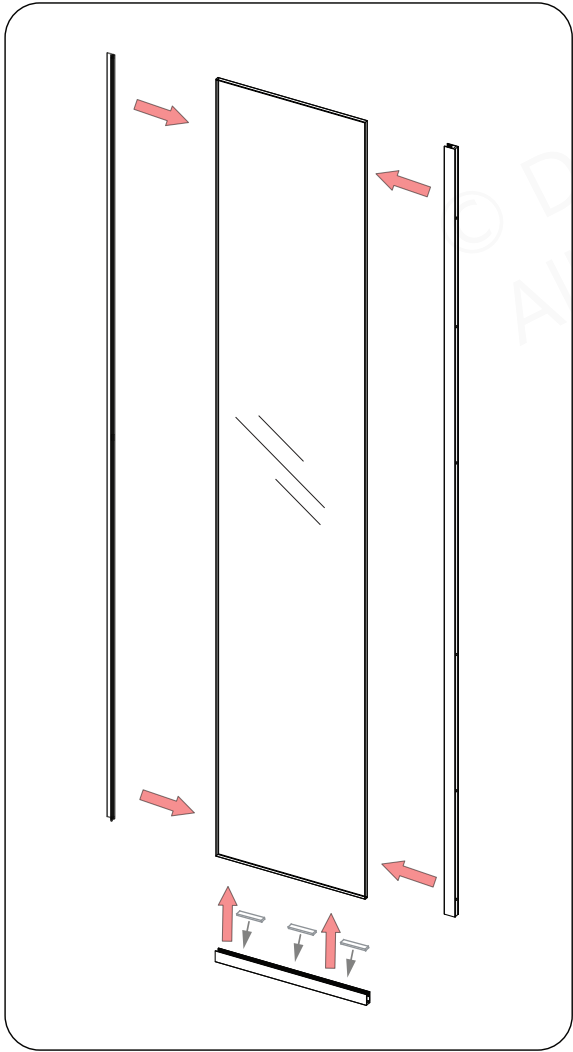


Fig 6a

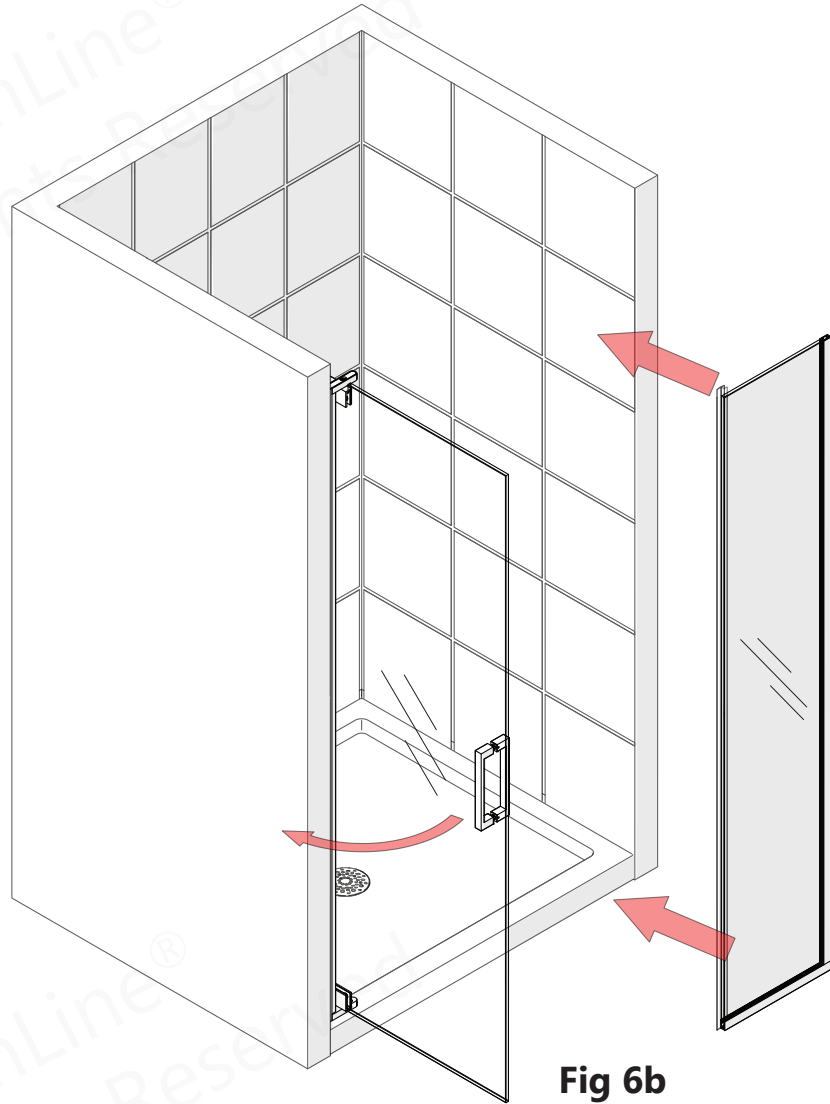
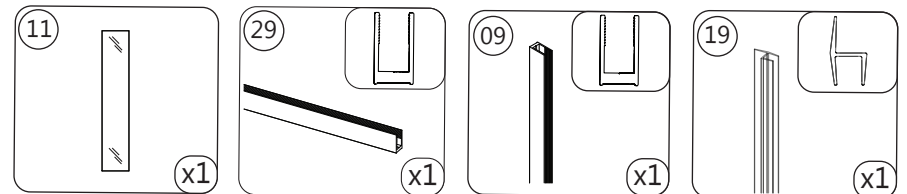


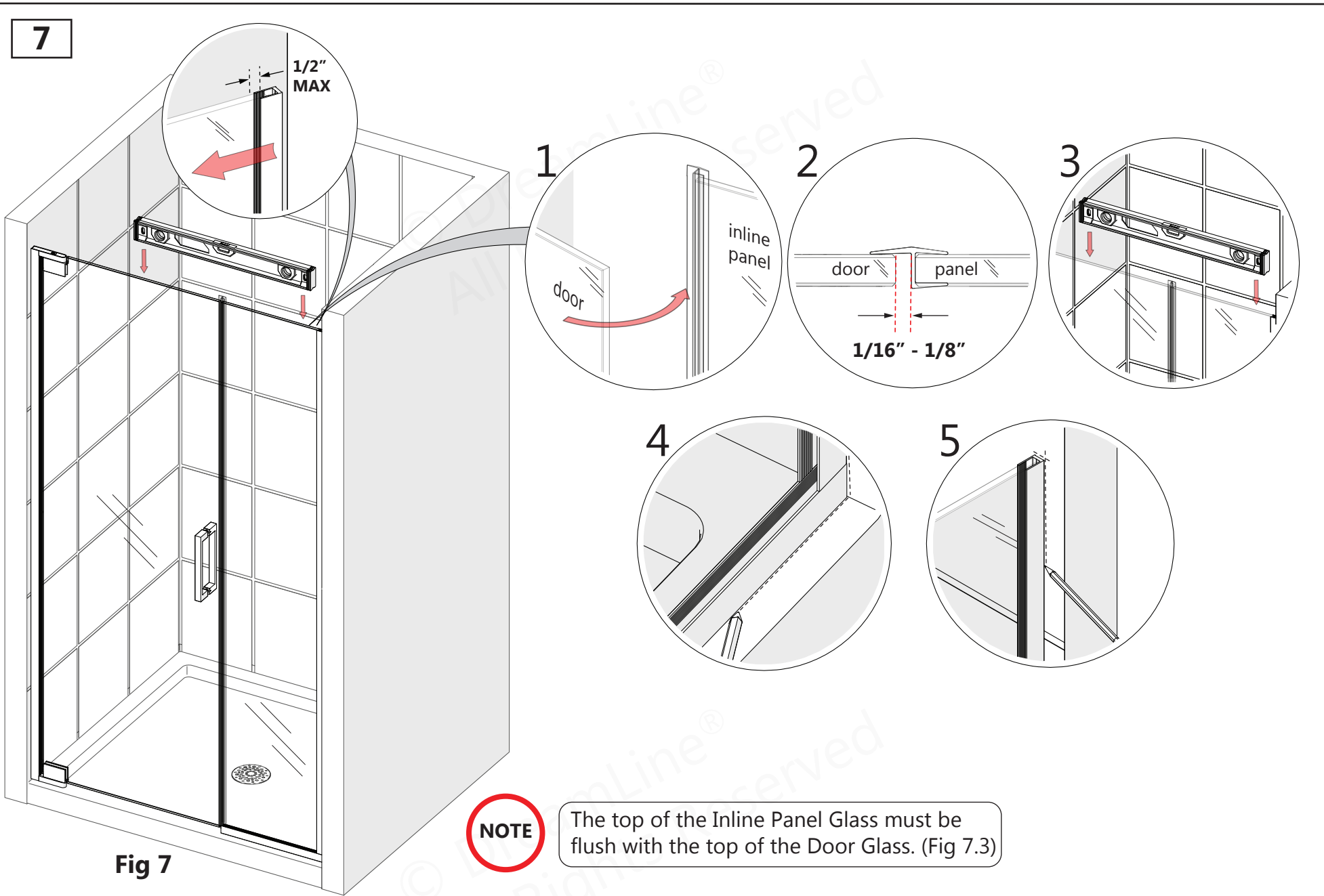
Fig 6b



The **180° Strike Vinyl (#19)** will extend above the panel glass for now, but will be notched to fit around the bottom u-channel. See step#14.

Parts Needed





7

Fig 7

NOTE

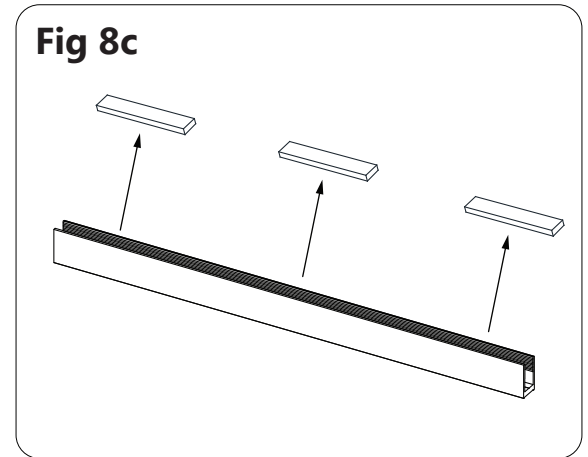
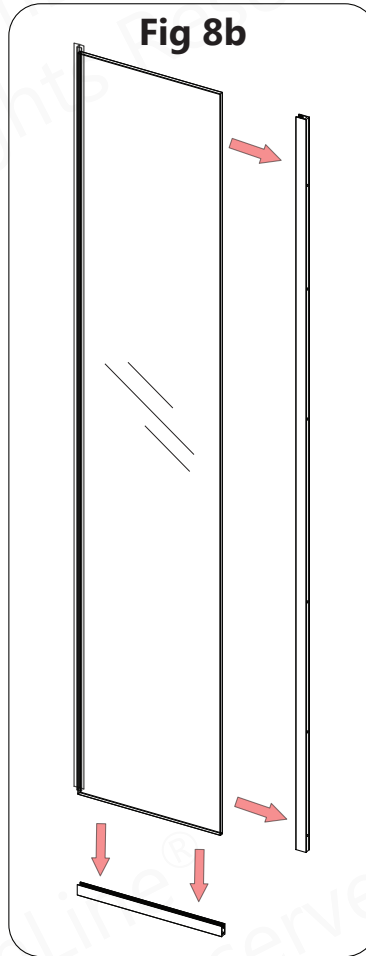
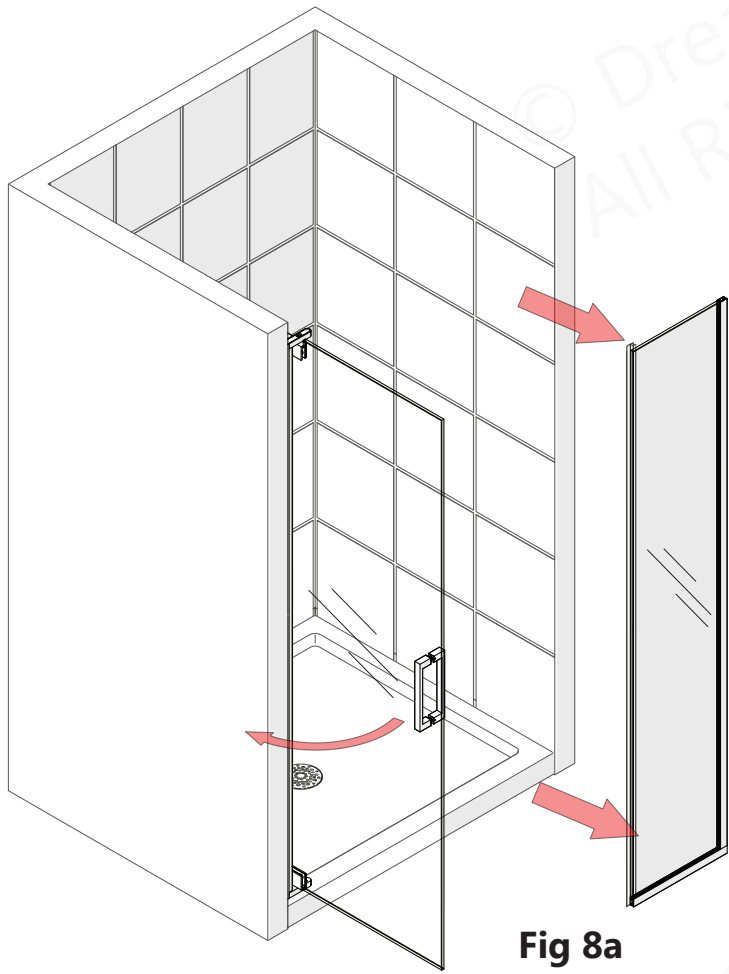
The top of the Inline Panel Glass must be flush with the top of the Door Glass. (Fig 7.3)

NOTE

The **Vertical U-Channel (#09)** will allow for up to 1/2" of out-of-plumb adjustment. Confirm that the **Inline Panel Glass (#11)** is aligned properly with the installed door before marking the positions of the u-channels.

Tools Needed

8



Remove the PVC Glass Spacers 0.5mm (#28) from the Bottom U-Channel (#29). (Fig 8c) These must be reinstalled in step #12.

9

NOTE

The surfaces need to be clean and free of debris before applying silicone.

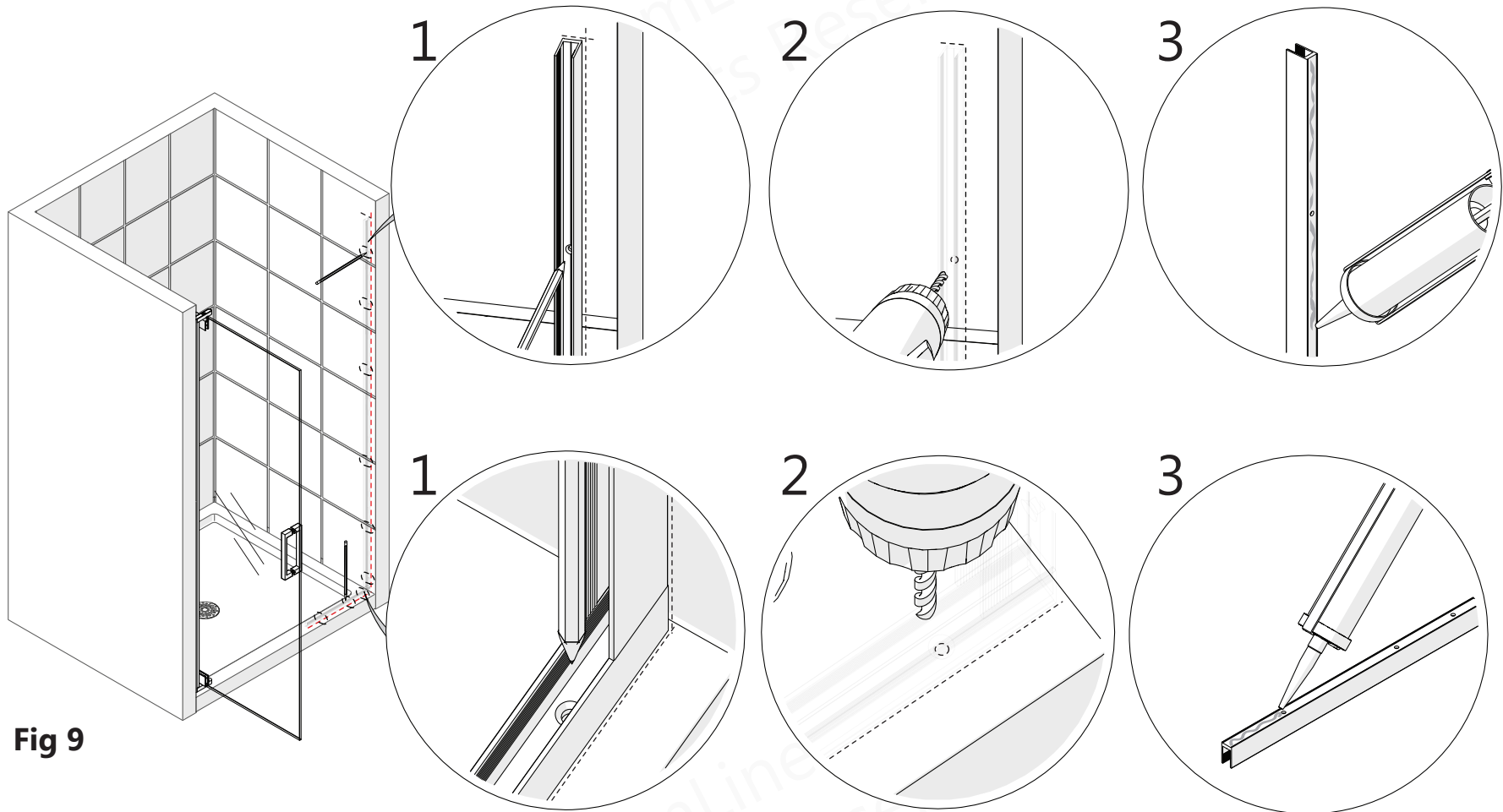


Fig 9

NOTE

▪ For installation into an **Acrylic Threshold**:
drill an **Ø1/8" (3mm)** hole and use the
ST4.2 x 40mm Countersunk Screw (#23)

OR

▪ For installation into a **Tile Threshold**:
drill a **Ø3/16" (4.76mm)** hole up to the stud,
drill an **Ø1/8" (3mm)** pilot hole into the stud
and use the **ST4.2 x 40mm Countersunk Screw (#23)**

▪ **If a stud is present behind the wall:**

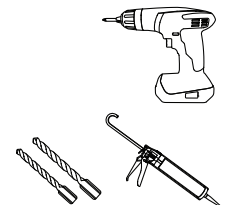
drill a **Ø3/16" (4.76mm)** hole up to the stud,
drill an **Ø1/8" (3mm)** pilot hole into the stud and use the
ST4.2 x 40mm Countersunk Screws (#23)

OR

▪ **If no stud is present behind the wall:**

drill a **Ø5/16" (8mm)** hole and insert the **Wall Anchors (#13)**
and use the **ST4.2 x 40mm Countersunk Screws (#23)**.

Tools Needed



10

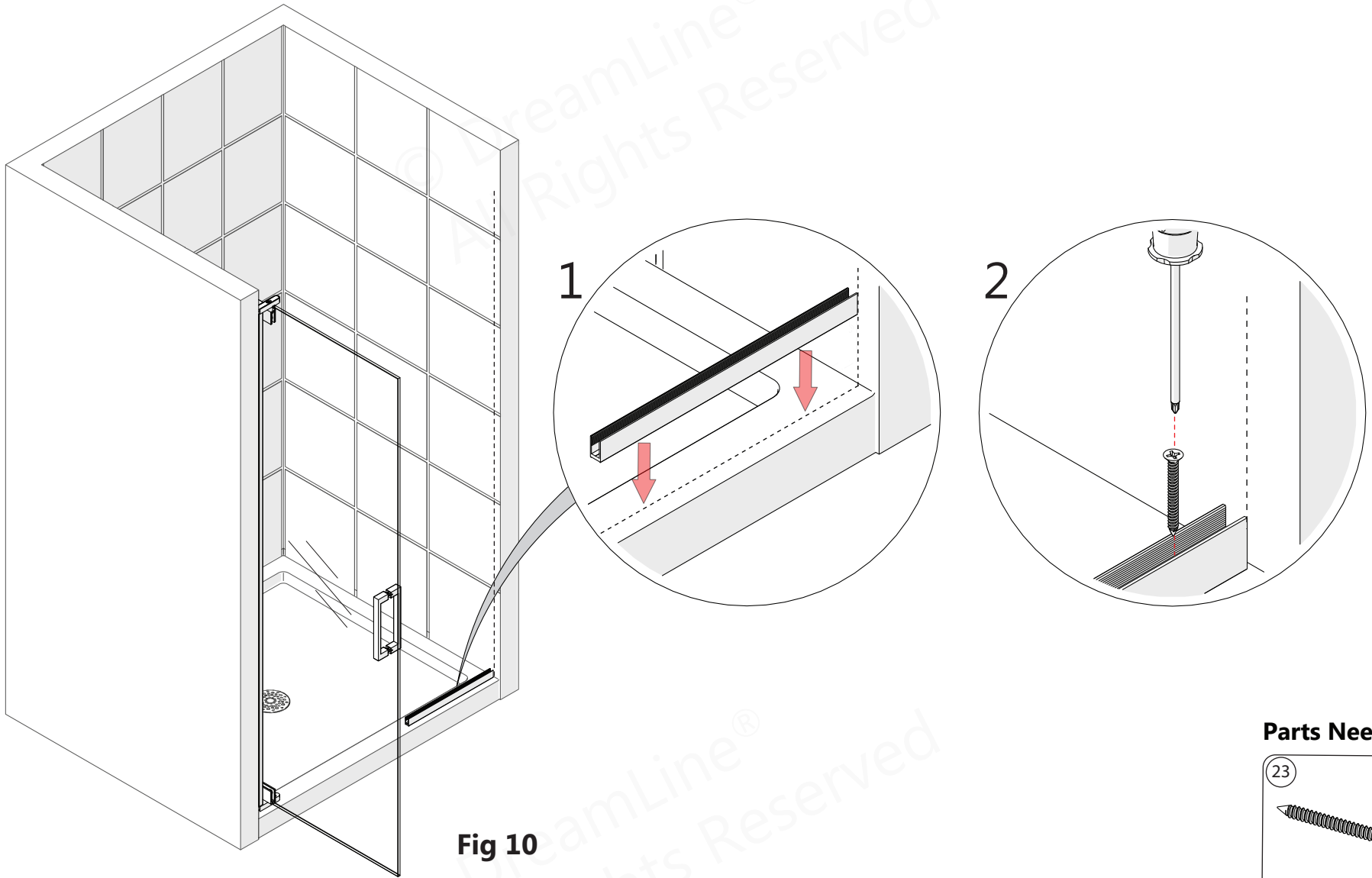
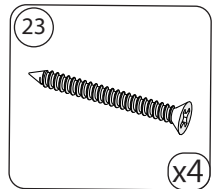


Fig 10

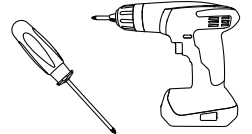


To prevent damage to the glass, be sure that the screws are fully countersunk and that the screw heads do not stick up above the surface of the u-channel

Parts Needed



Tools Needed



11

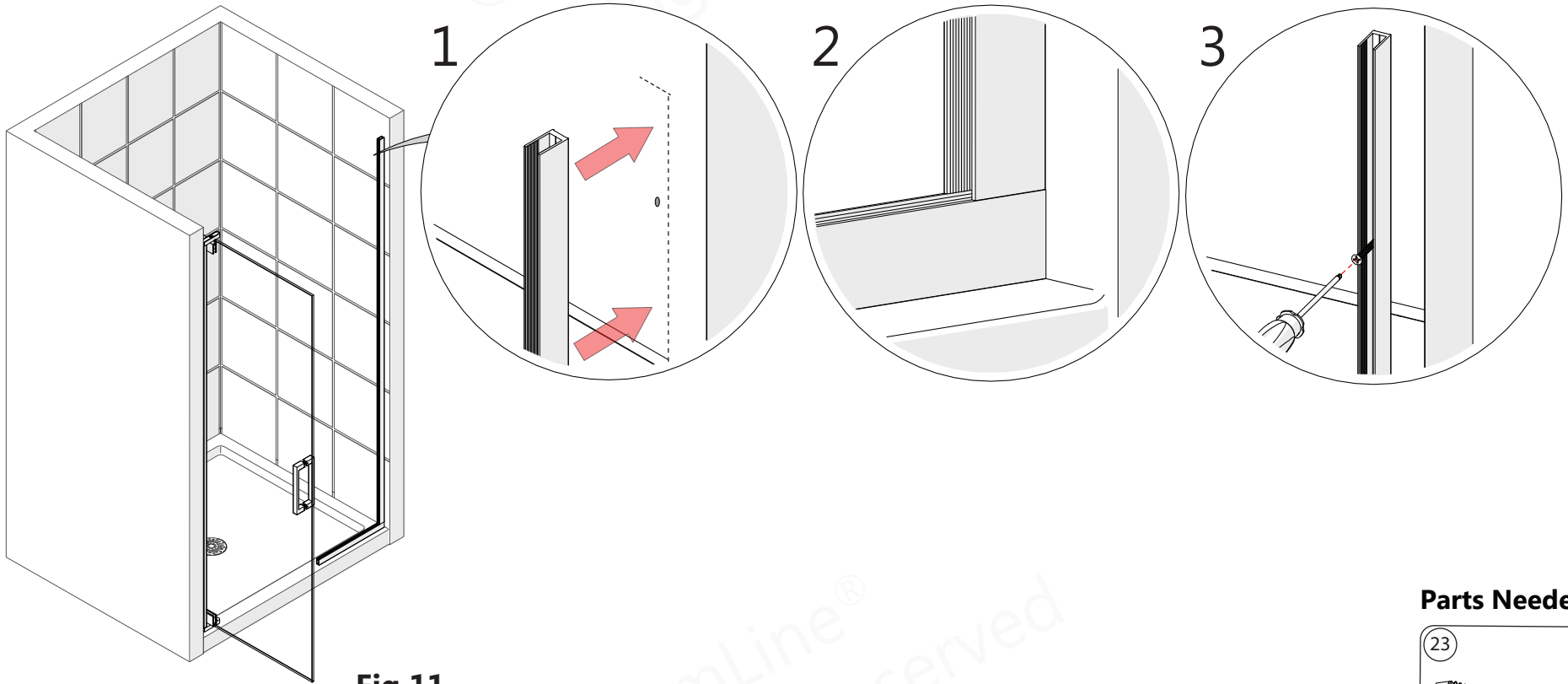
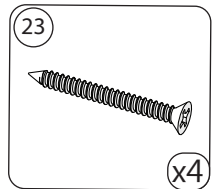
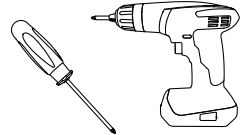


Fig 11

Parts Needed



Tools Needed



12

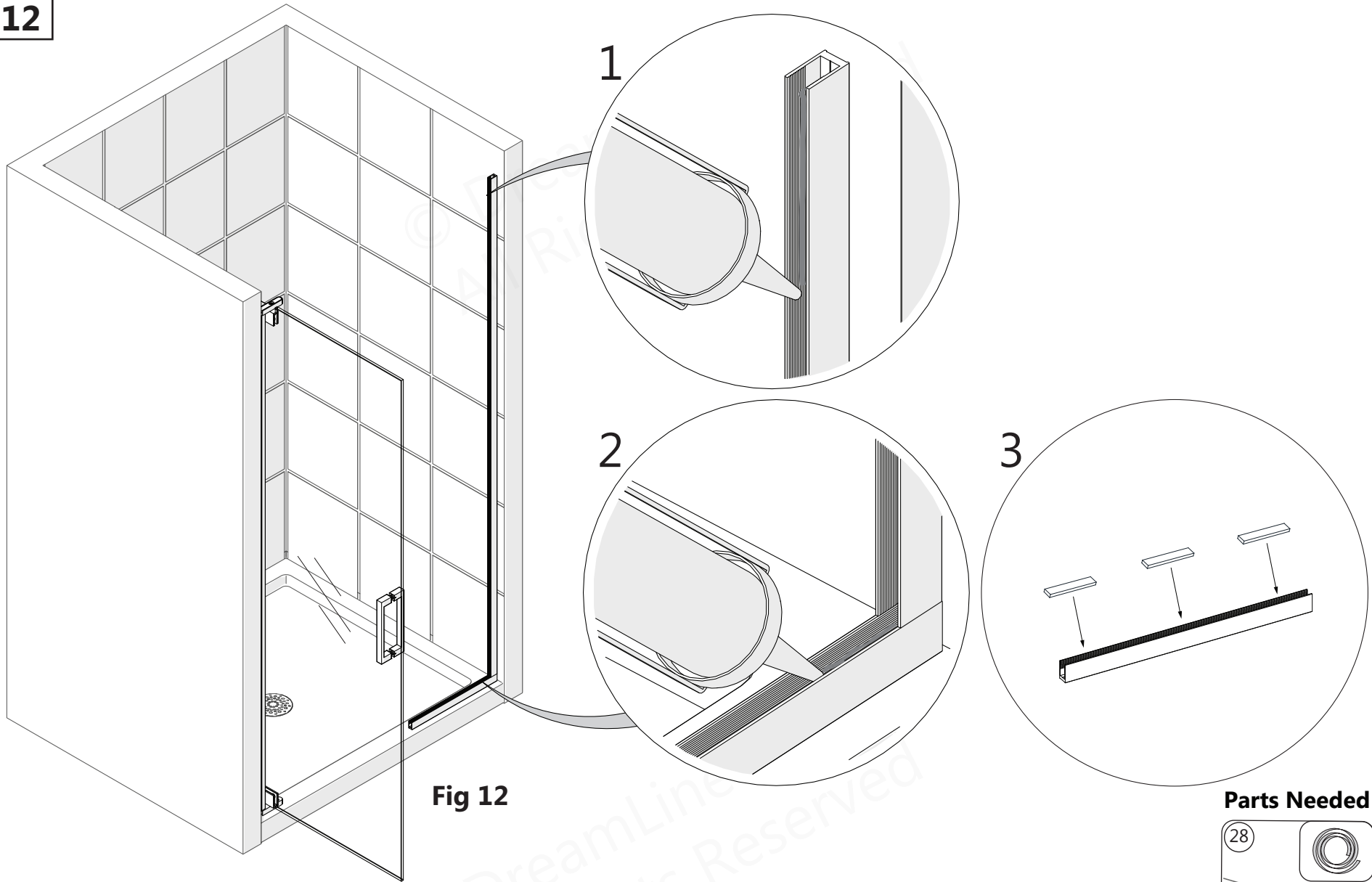
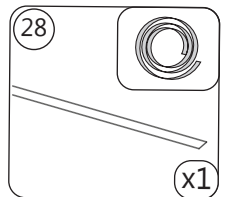


Fig 12

NOTE

After applying silicone into the bottom U-Channel install several 2" - 3" pieces of the PVC Glass Spacer 0.5mm (#28) into the Bottom U-Channel (#29) to protect the bottom edge of the glass. (Fig 12.3)

Parts Needed



Tools Needed



13

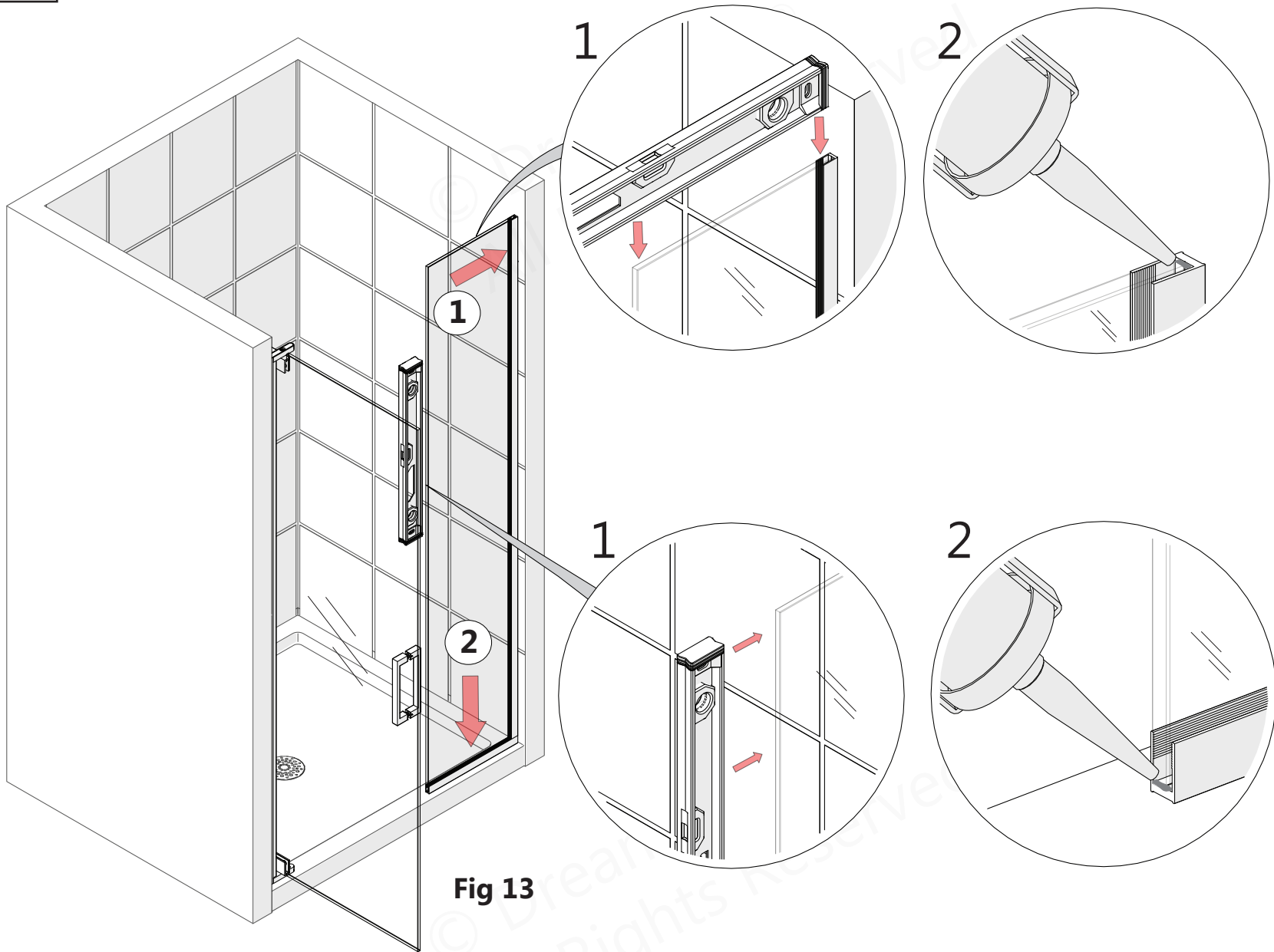


Fig 13

Tools Needed

The tools needed for this step are a level and a pry bar.

14

180° Strike Vinyl Installation

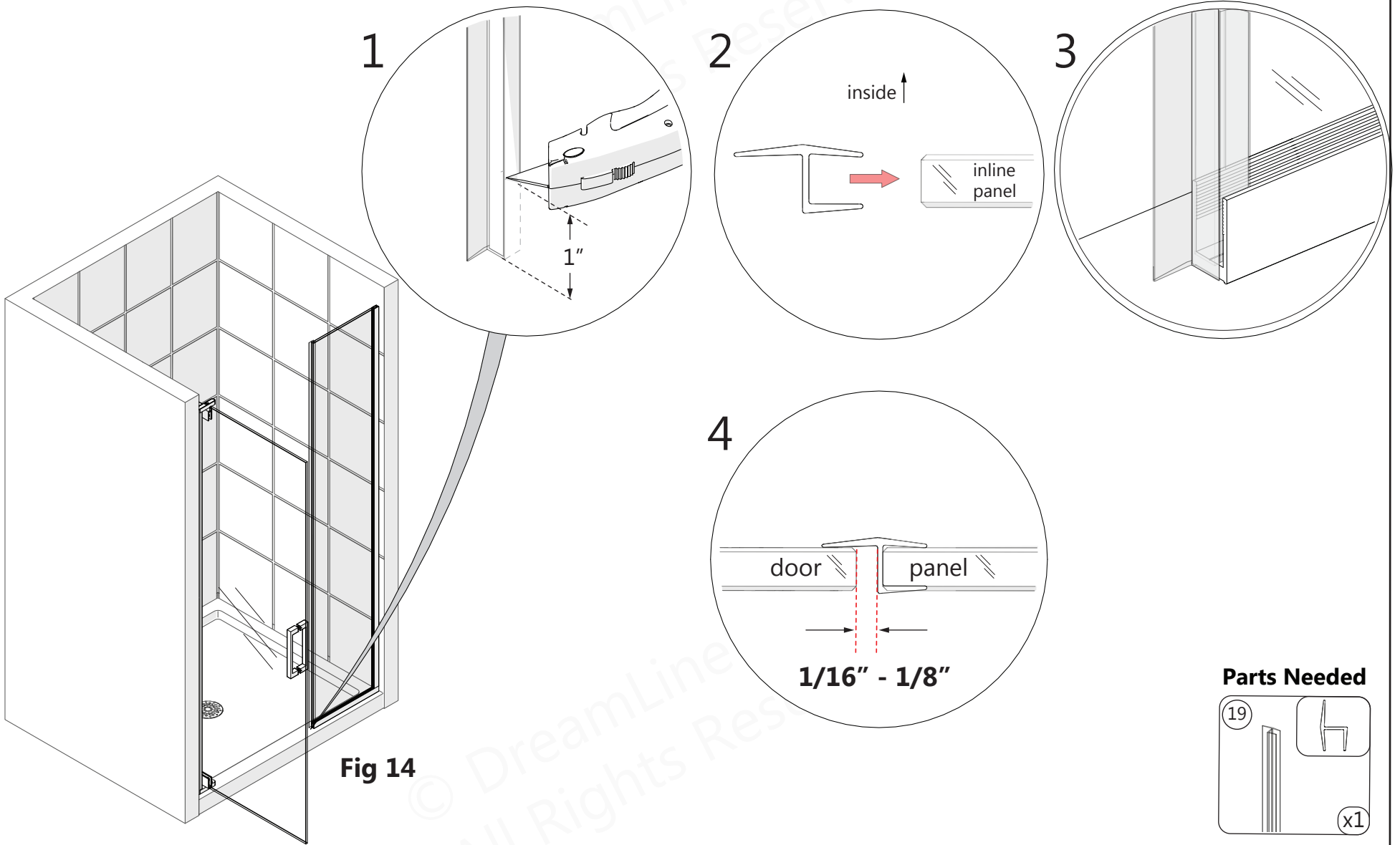


Fig 14

15

NOTE

The surfaces need to be clean and free of debris before applying silicone.

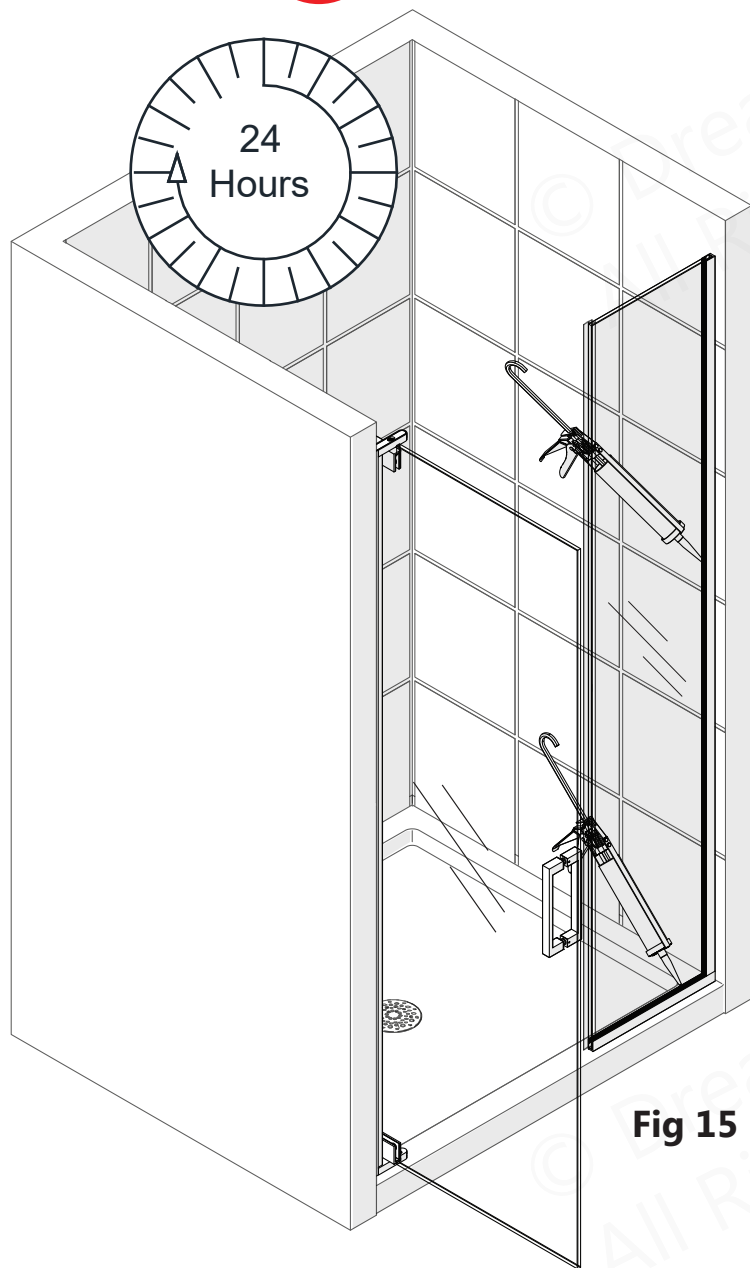


Fig 15

NOTE

If the model does not include an L-Bar™ Support Bracket, this completes the Inline Panel installation.



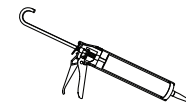
Continue onto the next steps for the installation of the Reversible L-Bar™ Support Bracket (#30): (for models that require the L-Bar Support Bracket)

-Continue to the next installation step or use the manual that is packaged with the Reversible L-Bar™ Support Bracket.



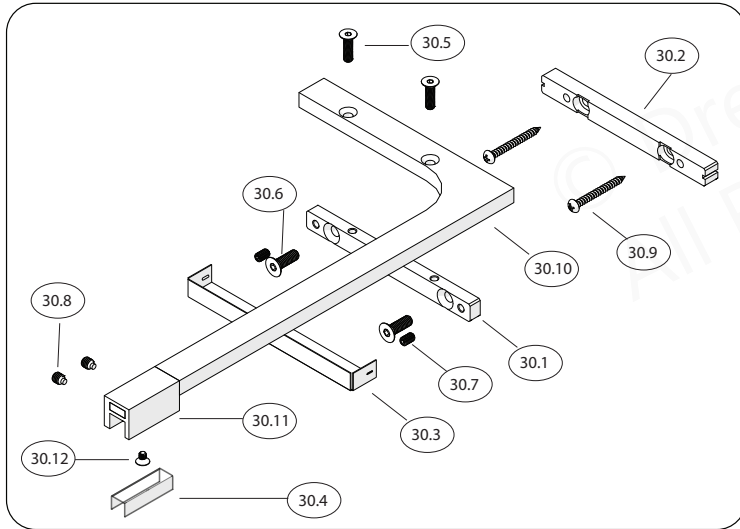
Allow 24 hours for the silicone to cure before using shower

Tools Needed

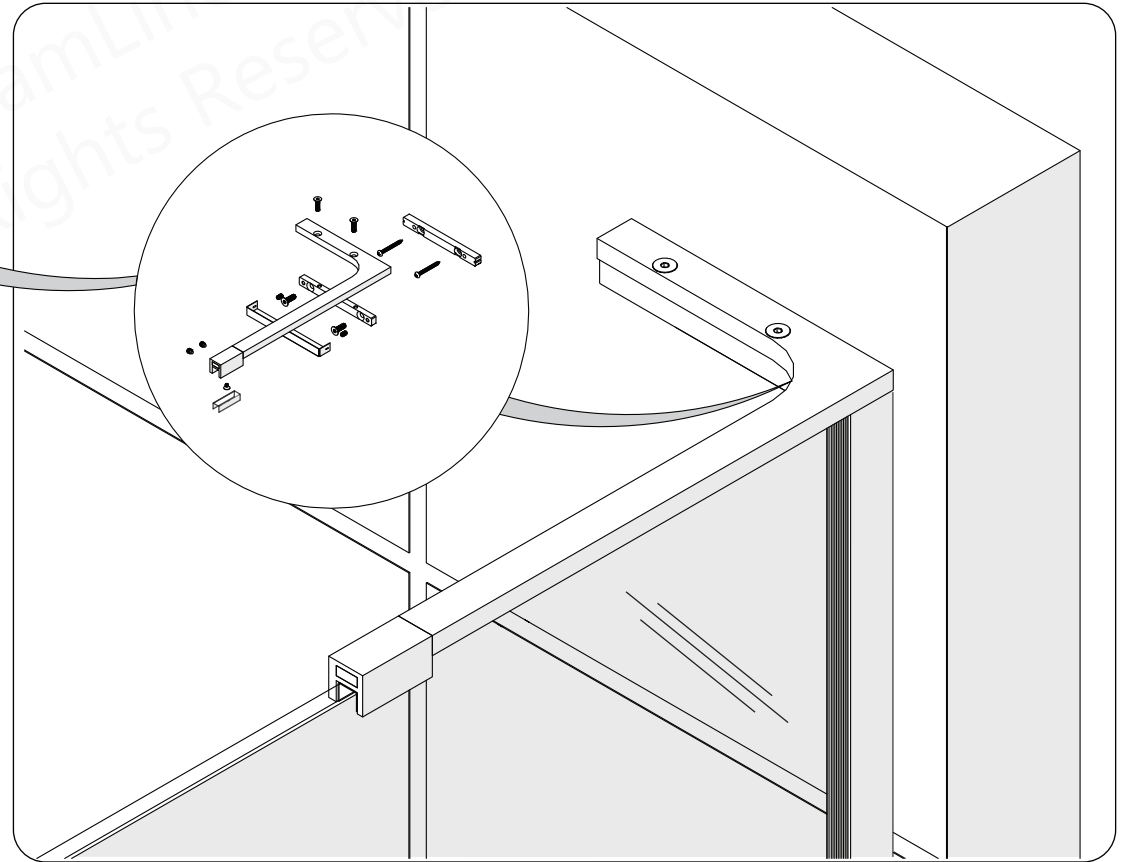


16

Reversible L-Bar™ Installation (L-Bar™ for ELEGANCE PLUS model only)



Right-handed orientation shown*



Right-handed orientation shown

Item	Item Description	Quantity
30.1	Reversible L-Bar™ Adjustable Bracket	1pc
30.2	Reversible L-Bar™ Wall Bracket	1pc
30.3	Reversible L-Bar™ Decorative Cover	1pc
30.4	Sheet Vinyl Gasket	1pc
30.5	M5×18 Screw	2pcs
30.6	M6×18 Screw	2pcs
30.7	M5×8 Set Screw	2pcs
30.8	M6×6 Rubber-Tipped Set Screw	2pcs
30.9	ST4.2 x 40 Truss Head Screw	2pcs
30.10	Reversible L-Bar™ Body	1pc
30.11	Reversible L-Bar™ Glass Holder	1pc
30.12	M4×6 Screw	1pc

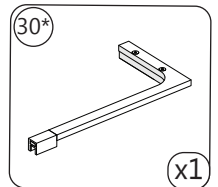


12" L-Bar™ for 22" and 22-1/2" panels
18" L-Bar™ for 30"~ 34" panels



The L-Bar™ (#30) is reversible. All images shown are in the right-handed orientation as an example. To reverse the orientation of the L-Bar™ (#30), refer to pages 29-30 for further instructions.

Parts Needed



17

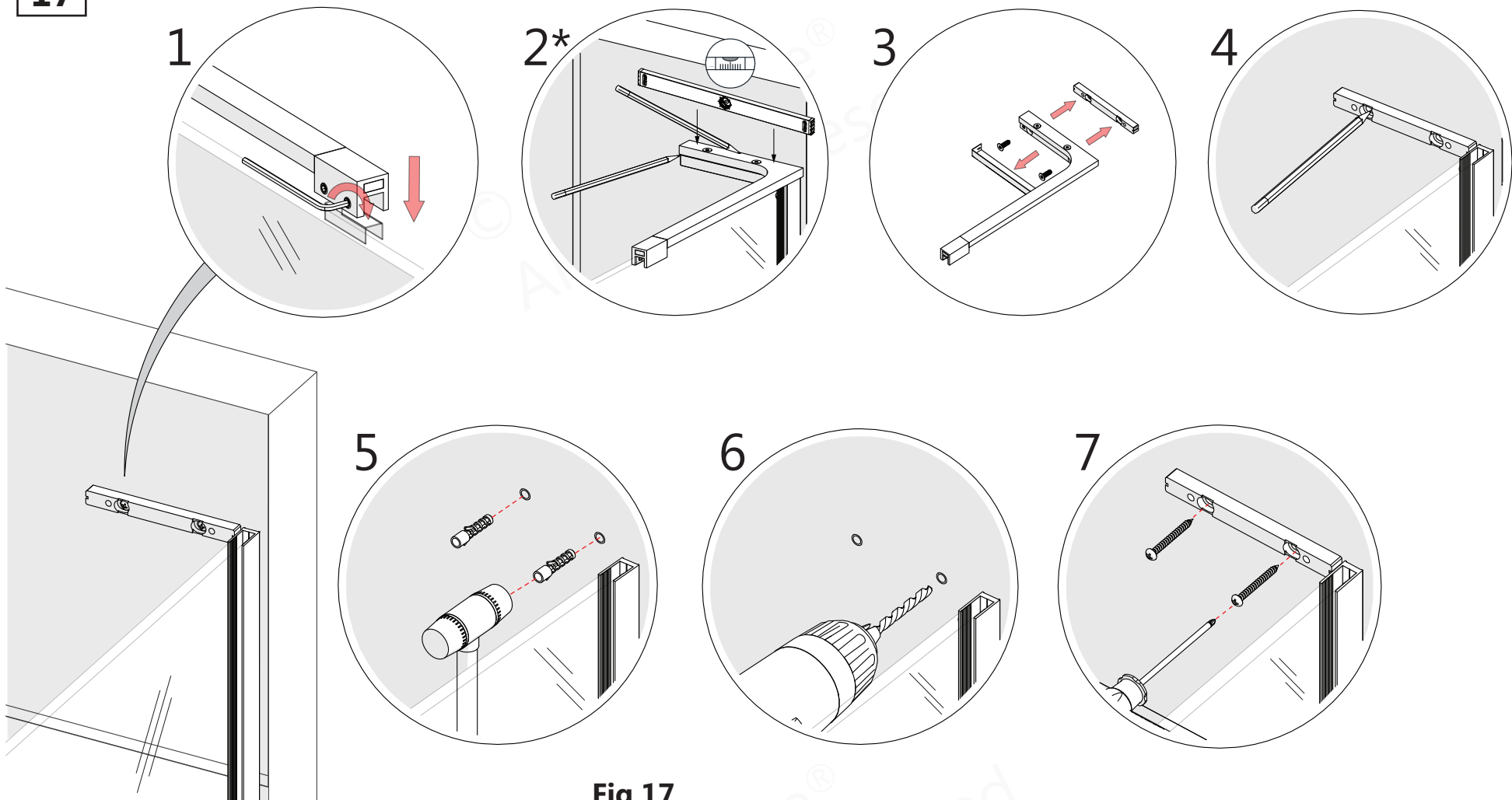


Fig 17

right-handed installation shown

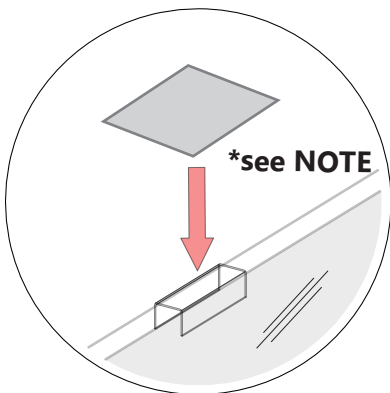
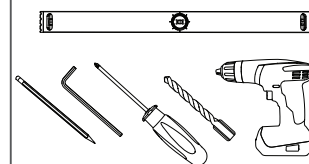


*Leave the L-Bar™ decorative cover attached when marking the L-Bar™ position on the wall to allow space (1/16"-1/8") to re-attach the cover plate after installation.



*The **0.5mm PVC Spacer (#30.4)** for the **L-Bar™ Glass Holder (#30.11)** is shipped flat and this piece must be folded around the top of the **Inline Panel Glass (#11)** during installation.

Tools Needed



18

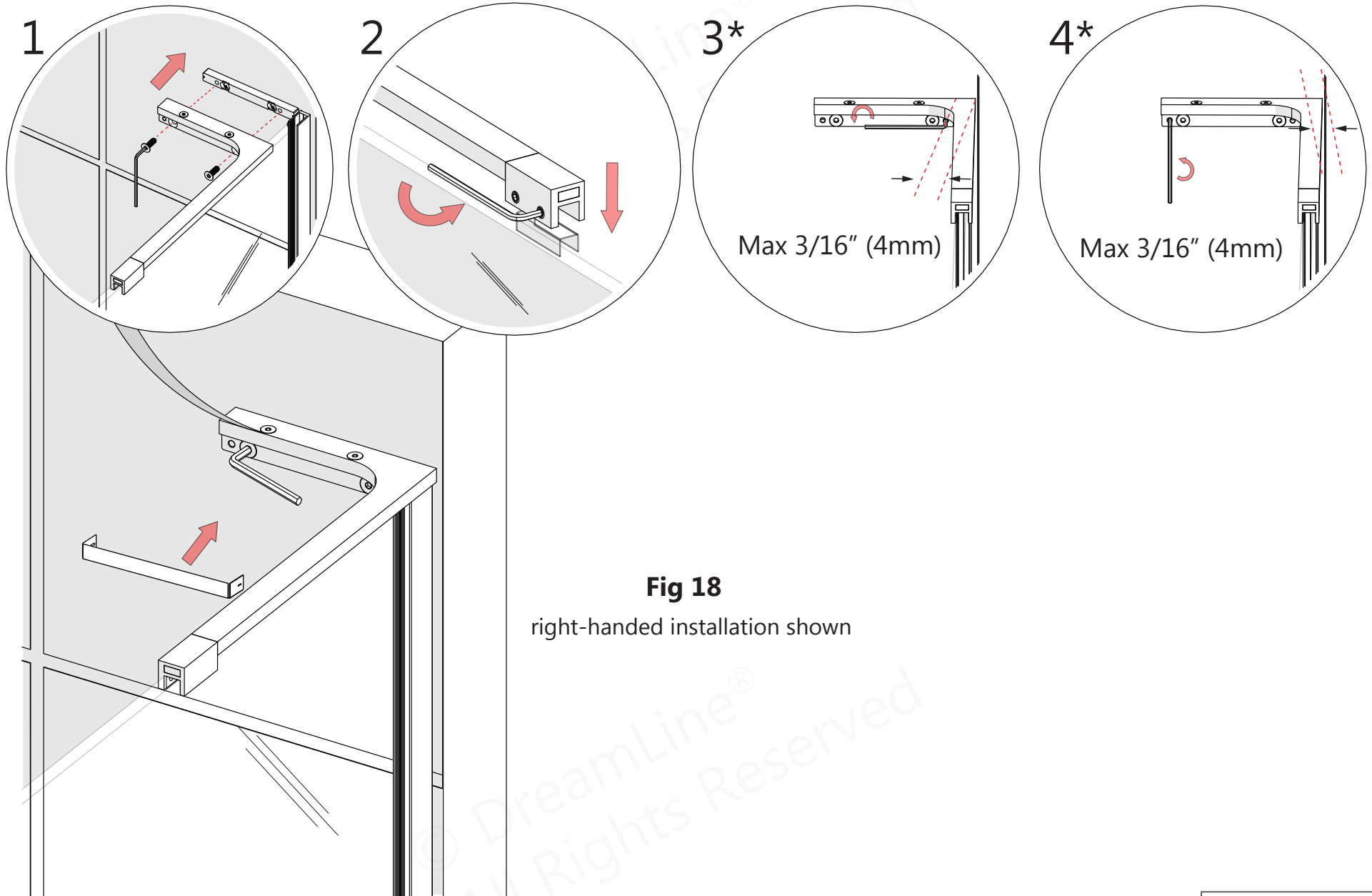


Fig 18

right-handed installation shown

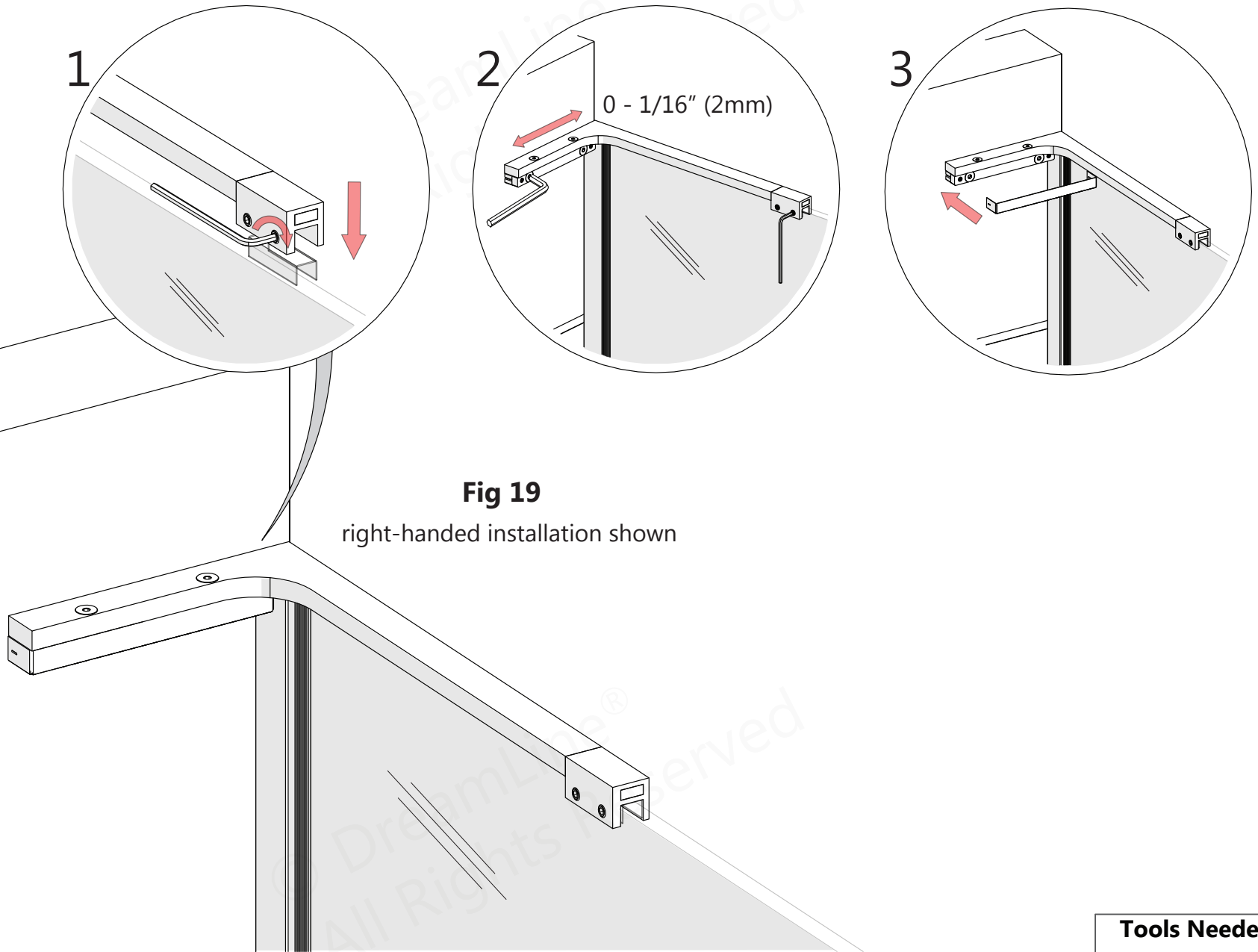


* To adjust the angle of the **L-Bar™**: Loosen the **M5 x 14.5 screws**, rotate the appropriate set screw (See Fig 18.3 and 18.4) to adjust the angle of the **L-Bar™** (up to 3/16" (4mm)) in the desired direction. Hand tighten the **M5 x 14.5** screws after adjustment is complete and replace the decorative cover.

Tools Needed



19



Tools Needed



Product Maintenance

BASES and BACKWALLS: To ensure long lasting life for your acrylic back walls: wipe them off after each use with a soft cloth. To clean the acrylic back walls use non-abrasive sprays or cream based cleaners. Avoid the use of aerosol spray cleaners. Never use abrasive cleansers, metal brushes or scrapers that could permanently scratch or dull the surface.

GLASS: To ensure long lasting life for your glass shower products: wipe them off after each use with a soft cloth. Rinse and wipe off the glass using either a soft cloth or a squeegee to prevent soap buildup and water spots (Hard water can etch the surface of the glass over time if left to dry). To prevent scratching the surface: never use abrasive cleaners or cleaning products that contain scouring agents. Never use bristle brushes or abrasive sponges that may scratch the surface of the glass.

HARDWARE: To ensure a long lasting finish: wipe off all metal parts after each use with a soft cloth. Do not use abrasive cleaners or cleaning products containing ammonia, bleach or acid. If accidentally used, rinse the surface as soon as possible to prevent damage to the finish (peeling or corrosion). After cleaning the polished finishes, rinse thoroughly and wipe dry with a soft clean-cloth.

Clean stainless steel surfaces at least once a week. When applying stainless steel cleaner or polish to stainless steel hardware, work with the grain (not across the grain). Never use an abrasive sponge or cloth, steel wool or wired brush as these may permanently scratch the surfaces.



To maximize the life of your door, it is important to regularly inspect the glass and other hardware for misalignment, proper attachment, and/or damage. Contact DreamLine® with any questions or concerns.

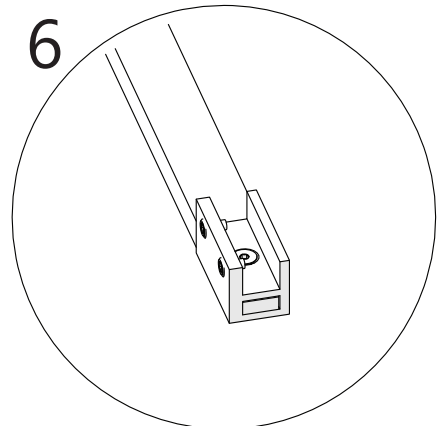
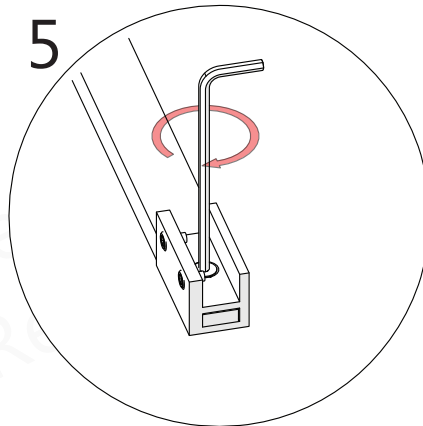
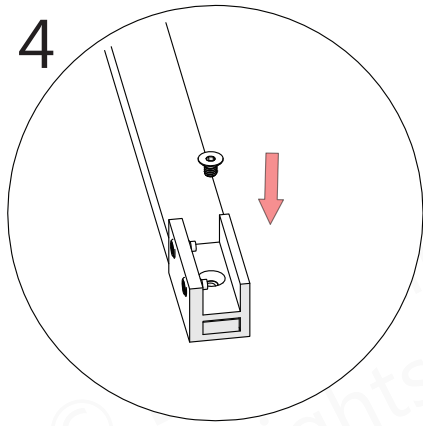
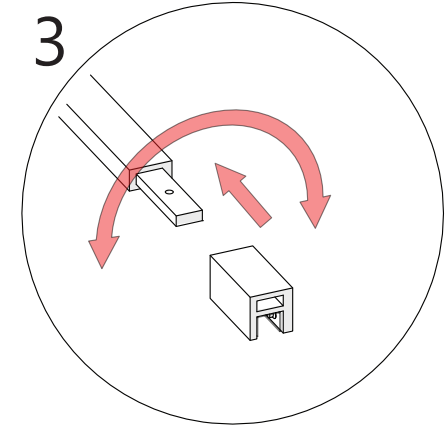
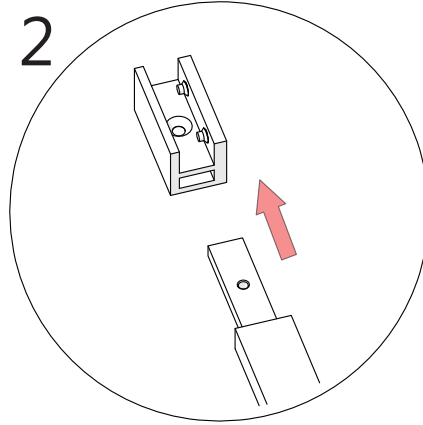
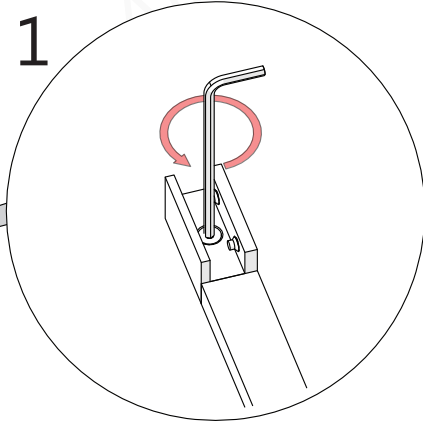
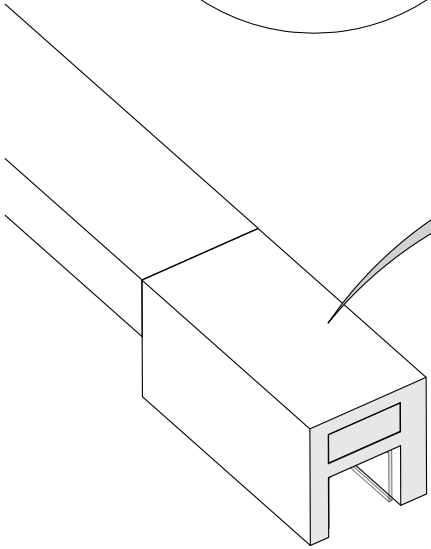
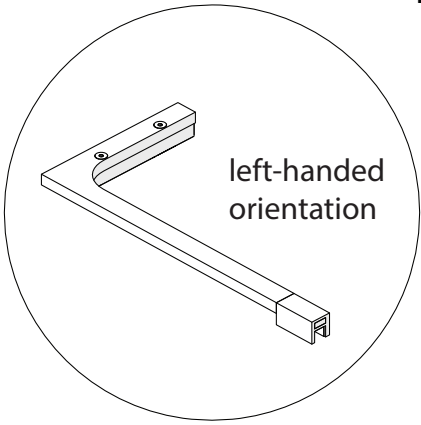
INLINE PANEL (Style F) Maintenance Checklist

- Inspect the U-Channels. Make sure both Bottom and Vertical U-Channels are tightly secured.
- Inspect that the Door Glass and Inline Panel glass are properly aligned when the door is in the closed position.
- Inspect the L-Bar™ (for ELEGANCE PLUS models only). Tighten set-screws if necessary.
- Inspect and replace damaged or missing Vinyl Seals. Order replacement as necessary to prevent leakage.
- Inspect silicone application. Remove and replace as necessary to prevent leakage. (refer to the silicone manufacturer's recommendations on the proper application of their product).
- Remove Vinyl Seals to inspect the edges of the glass for concealed damage.

Damaged glass must be replaced!

Reversible L-Bar™ Feature: Glass Holder (for ELEGANCE PLUS model only)

Step 1

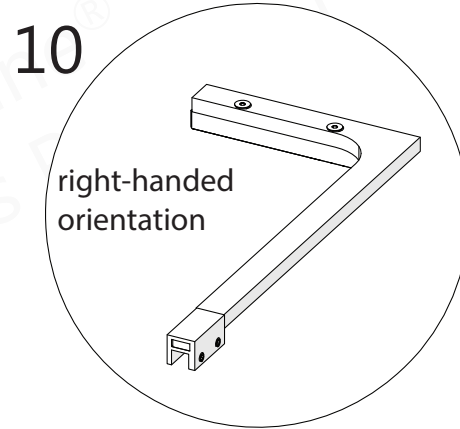
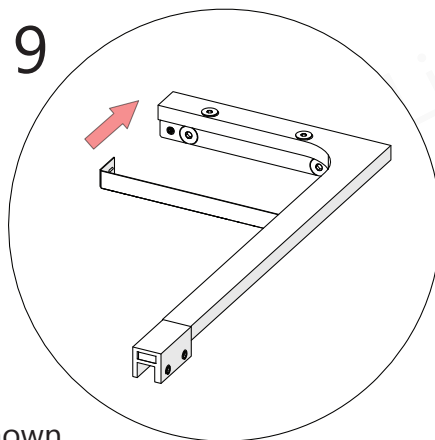
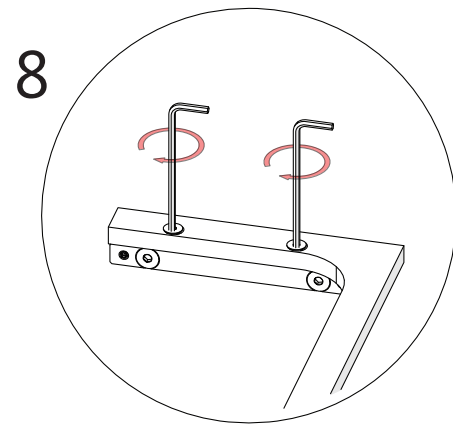
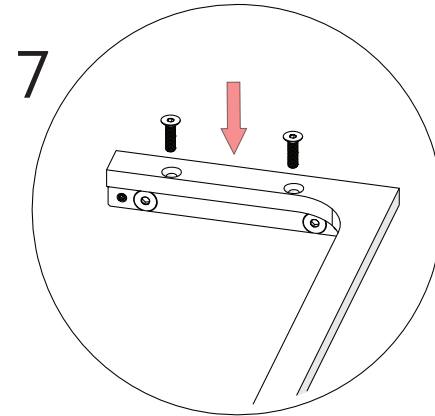
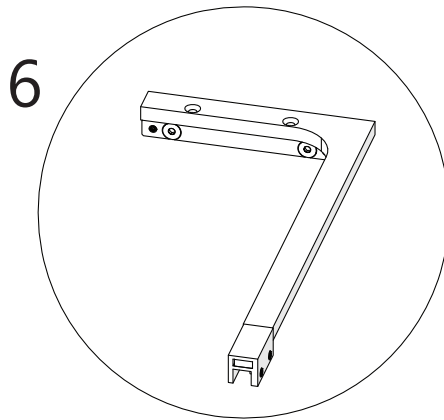
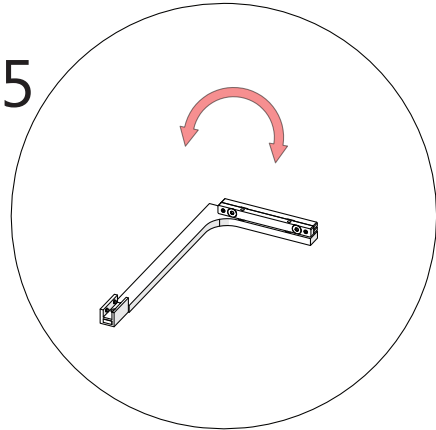
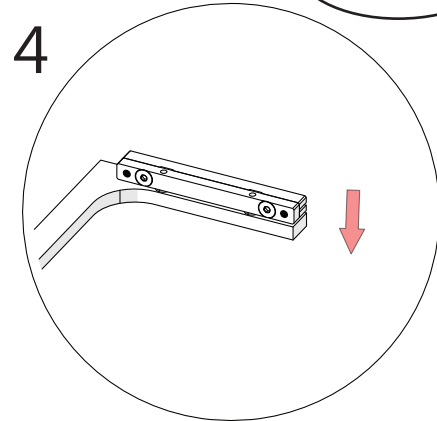
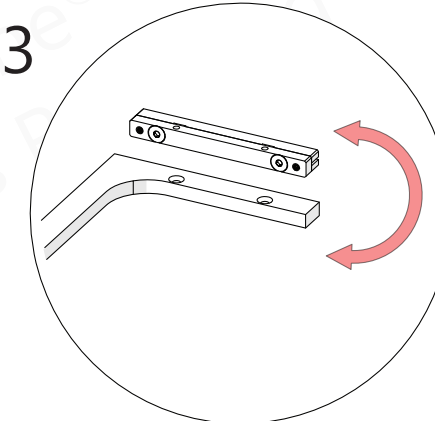
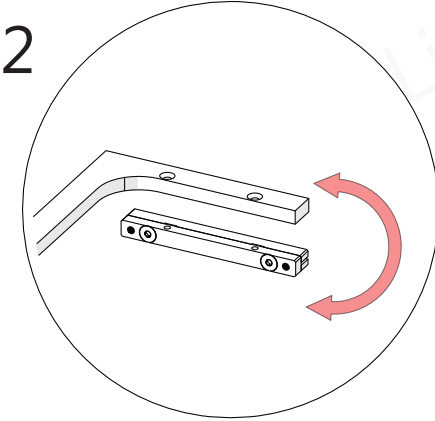
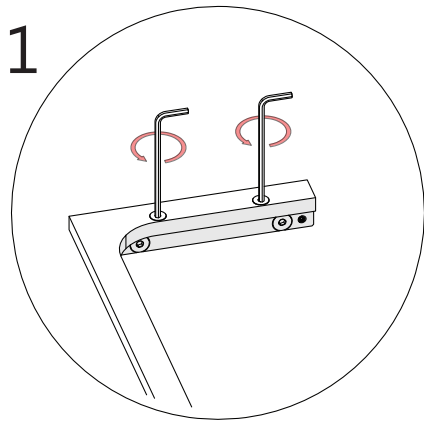


left-to-right handed orientation shown



Reversible L-Bar™ Feature: Wall Bracket

Step 2



left-to-right handed orientation shown

Tools Needed

Troubleshooting

Problem/Symptom	Suggested Solution	Page(s)
Missing Parts	<ul style="list-style-type: none"> • Check all shipping/packaging material for missing parts/components. • If not found, contact DreamLine Customer Support [1-866-731-2244] to order factory part replacement. 	—
Door Glass does not close flush with the 180° Strike Vinyl (#19) and Inline Panel Glass (#11)	<ul style="list-style-type: none"> • Inspect the 180° Degree Strike Vinyl (#19) and ensure the orientation of the vinyl is correct. • Check that the 180° Degree Strike Vinyl (#19) is installed correctly so the Door Glass closes flush with the vinyl. • Check that the reveal between the door and the strike vinyl is consistent/even. Use a level and adjust the assembly. Removal and re-installation may be necessary. 	13;21
Top of Inline Panel Glass (#11) is not flush with the top of the Door Glass	<ul style="list-style-type: none"> • Measure that the height of the Door and Inline Panel Glass is at 72 inches. • Refer to the Door Manual for proper installation of the door. 	—
Leakage: beneath the Bottom U-Channel (#29) and Inline Panel (#11)	<ul style="list-style-type: none"> • Confirm that all screws are tightly secured to the threshold • Inspect the silicone and ensure that a complete application of silicone has been applied. Allow 24 hours for the silicone to cure before using the shower. 	—
L-Bar™ Support Bracket (#30) not installed level with the Inline Panel Glass	<ul style="list-style-type: none"> • Review the L-Bar™ Support Bracket (#30) installation steps to adjust the L-Bar. • Confirm the gaskets are in place to protect the glass • Removal and re-installation may be necessary • The L-Bar must be installed correctly for the safety of the installation 	23-26



Prior to contacting DreamLine® Customer Service, please have the following information readily available:

- Purchase Order Information
 - Name, PO Number, Dealer/Vendor Name, etc.
- SKU/Model Number (see Page 31)
- Factory Part Information (see Page 31)

Factory Parts Information

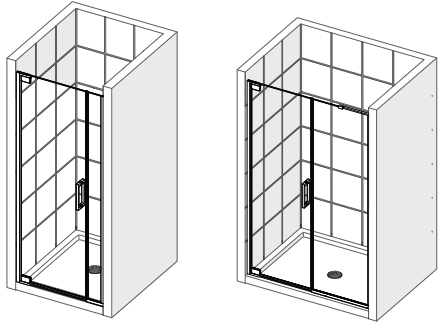
INLINE PANEL [STYLE F] - HARDWARE		FACTORY PARTS INFORMATION	
ITEM #	FACTORY PART NUMBER	ITEM DESCRIPTION	QTY
09	041540 11 -1930 / 041540 41 -1930 / 041540 61 -1930 / 041540 91 -1930	U-Channel 1" Aluminum for 10mm (3/8in.) Glass	1 pc
13	07552148	Wall Anchor 8mm (5/16in)	18 pcs
19	063010100-1829	180 Degree Strike Vinyl for 10mm (3/8in.) Glass	1 pc
23	092108	ST4.2×40mm Countersunk Screw	18 pcs
28	07550083	PVC Glass Spacer 0.5mm	1 pc
29	041540 11 -1118 / 041540 41 -1118 / 041540 61 -1118 / 041540 91 -1118	U-Channel 1" Aluminum for 10mm (3/8in) Glass	1 pc
Exclusive to 22in, 22-1/2in ELEGANCE PLUS INLINE PANEL Models			
30	0712 1 050 / 0712 4 050 / 0712 6 050 / 0712 9 050	L-Bar Support Bracket Reversible 12" for 10mm (3/8in) glass	1 pc
Exclusive to 30in, 30-1/2in, 34in ELEGANCE PLUS INLINE PANEL Models			
30	0712 1 150 / 0712 4 150 / 0712 6 150 / 0712 9 150	L-Bar Support Bracket Reversible 18" for 10mm (3/8in) glass	1 pc

BOLD digit indicates finish: **1** = Chrome; **4** = Brushed Nickel;
6 = Oil Rubbed Bronze; **9**= Satin Black

INLINE PANEL [STYLE F] - GLASS		FACTORY PARTS INFORMATION	
ITEM #	FACTORY PART NUMBER	ITEM DESCRIPTION (Installed Inline Panel Glass Size)	QTY
11	010137095	6-in Inline Panel Glass	1 pc
11	010137117	6-1/2-in Inline Panel Glass	1 pc
11	010137099	14-in Inline Panel Glass	1 pc
11	010137119	14-1/2-in Inline Panel Glass	1 pc
11	010137103	22-in Inline Panel Glass	1 pc
11	010137121	22-1/2-in Inline Panel Glass	1 pc
11	010137109	30-in Inline / Return Panel Glass	1 pc
11	010137123	30-1/2-in Inline / Return Panel Glass	1 pc
11	010137111	34-in Inline / Return Panel Glass	1 pc

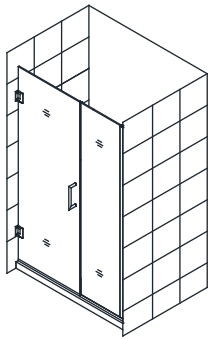
Contact Support@DreamLine.com for Part replacement, installation assistance or additional information.
 Complete **Warranty** information is available on DreamLine.com.

Product SKUs



Elegance Plus w/inline panel

- SHDR-443060-##
- SHDR-443465-##
- SHDR-444014-##
- SHDR-444622-##
- SHDR-4452225-##
- SHDR-4458305-##

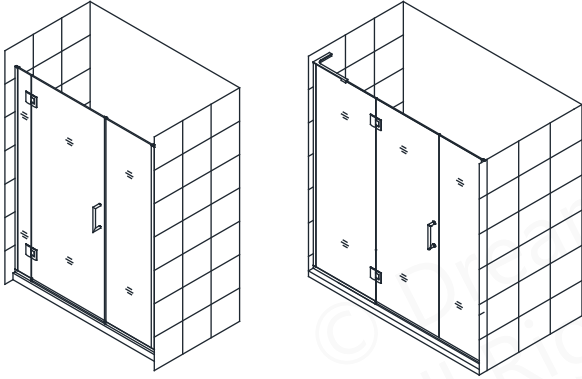


Unidoor Plus Style F

- | | | |
|-------------------|----------------|----------------|
| SHDR-242907210-## | SHDR-244307210 | SHDR-244957210 |
| SHDR-243007210 | SHDR-244407210 | SHDR-245057210 |
| SHDR-243107210 | SHDR-243757210 | SHDR-245157210 |
| SHDR-243207210 | SHDR-243857210 | SHDR-245257210 |
| SHDR-243307210 | SHDR-243957210 | SHDR-245307210 |
| SHDR-243407210 | SHDR-244057210 | SHDR-245407210 |
| SHDR-243507210 | SHDR-244157210 | SHDR-245507210 |
| SHDR-243607210 | SHDR-244257210 | SHDR-245607210 |
| SHDR-242957210 | SHDR-244357210 | SHDR-245707210 |
| SHDR-243057210 | SHDR-244457210 | SHDR-245807210 |
| SHDR-243157210 | SHDR-244507210 | SHDR-245907210 |
| SHDR-243257210 | SHDR-244607210 | SHDR-246007210 |
| SHDR-243357210 | SHDR-244707210 | SHDR-245357210 |
| SHDR-243457210 | SHDR-244807210 | SHDR-245457210 |
| SHDR-243557210 | SHDR-244907210 | SHDR-245557210 |
| SHDR-243657210 | SHDR-245007210 | SHDR-245657210 |
| SHDR-243707210 | SHDR-245107210 | SHDR-245757210 |
| SHDR-243807210 | SHDR-245207210 | SHDR-245857210 |
| SHDR-243907210 | SHDR-244557210 | SHDR-245957210 |
| SHDR-244007210 | SHDR-244657210 | SHDR-246057210 |
| SHDR-244107210 | SHDR-244757210 | |
| SHDR-244207210 | SHDR-244857210 | |

- ## = finish
 01 - Chrome
 04 - Brushed Nickel
 06 - Oil Rubbed Bronze
 09 - Satin Black

Product SKUs



Unidoor-X Style M1

D12306572-##	D1270672	D3230672L	D3262272R
D1230672	D12714572	D3230672R	D32706572L
D12314572	D1271472	D32314572L	D32706572R
D1231472	D12722572	D32314572R	D3270672L
D12322572	D1272272	D3231472L	D3270672R
D1232272	D12730572	D3231472R	D32714572L
D12330572	D1273072	D32406572L	D32714572R
D1233072	D12806572	D32406572R	D3271472L
D12406572	D1280672	D3240672L	D3271472R
D1240672	D12814572	D3240672R	D32806572L
D12414572	D1281472	D32414572L	D32806572R
D1241472	D12822572	D32414572R	D3280672L
D12422572	D1282272	D3241472L	D3280672R
D1242272	D12830572	D3241472R	D32814572L
D12430572	D1283072	D32506572L	D32814572R
D1243072	D12906572	D32506572R	D3281472L
D12506572	D1290672	D3250672L	D3281472R
D1250672	D12914572	D3250672R	D32906572L
D12514572	D1291472	D32514572L	D32906572R
D1251472	D12922572	D32514572R	D3290672L
D12522572	D1292272	D3251472L	D3290672R
D1252272	D12930572	D3251472R	D32914572L
D12530572	D1293072	D32606572L	D32914572R
D1253072	D13006572	D32606572R	D3291472L
D12606572	D1300672	D3260672L	D3291472R
D1260672	D13014572	D3260672R	D33006572L
D12614572	D1301472	D32614572L	D33006572R
D1261472	D13022572	D32614572R	D3300672L
D12622572	D1302272	D3261472L	D3300672R
D1262272	D13030572	D3261472R	D33014572L
D12630572	D1303072	D32622572L	D33014572R
D1263072	D32306572L	D32622572R	D3301472L
D12706572	D32306572R	D3262272L	D3301472R

= finish
 01 - Chrome
 04 - Brushed Nickel
 06 - Oil Rubbed Bronze
 09 - Satin Black



TEL: 866-731-2244
FAX: 866-857-3638
DREAMLINE.COM



For more information on DreamLine® Shower Doors and Enclosures please visit **DreamLine.com**