

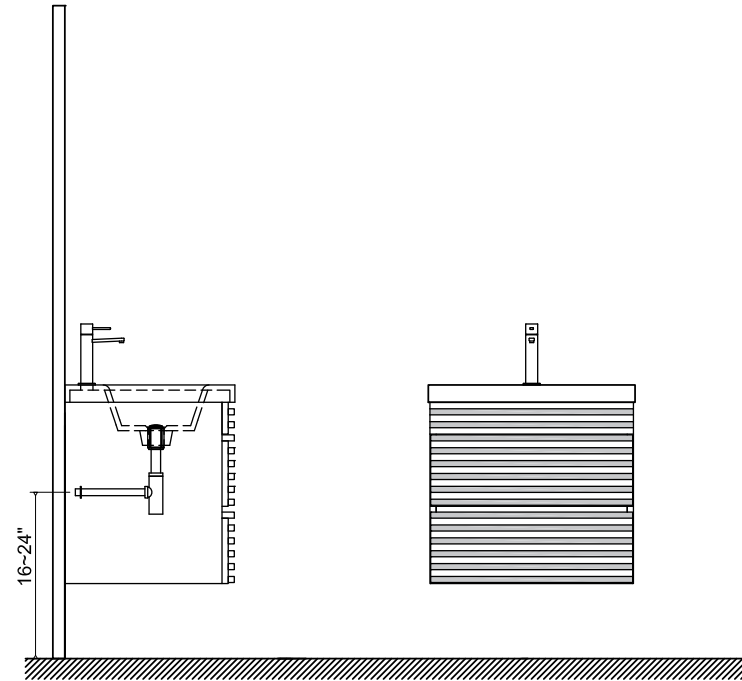
INSTALLATION GUIDE GIBSON COLLECTION

tilebar

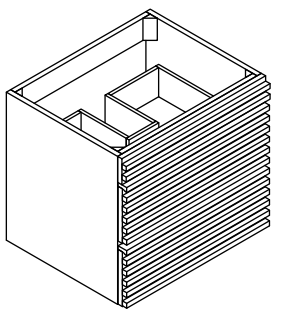
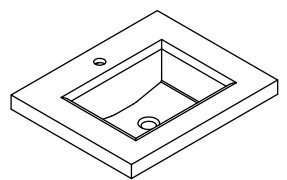
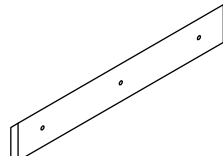
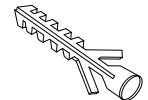
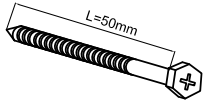
Before beginning to assemble and install your vanity, please check that you have received all of the parts and hardware listed in the packing list. Please report any missing items immediately.

To avoid scratches, scuffs, and other damage, do not assemble your vanity directly on the floor. Place a sheet of cardboard or another protective surface on the floor, and assemble your vanity on top of it. Always protect all surfaces from sharp objects, high heat sources, direct prolonged sunlight, and harsh chemicals.

Professional installation is recommended.



PACKING LIST

- | | | | | |
|--|--|---|---|---|
| <p>(A) MAIN CABINET (1 PCS)</p>  | <p>(B) INTEGRATED COUNTER & BASIN (1 PCS)</p>  | <p>(C) WOOD CLEAT (3 PCS)</p>  | <p>(D) WALL ANCHOR (3 PCS)</p>  | <p>(E) WOOD SCREW (3 PCS)</p>  <p>L=50mm</p> <p>M5 x 50</p> |
|--|--|---|---|---|

REQUIRED TOOLS

GLOVES

SAFETY GLASSES

DRILL BITS

3/8" (8mm) dia.
HSS (High-Speed Steel)

DRILL

MEASURING TAPE

PENCIL

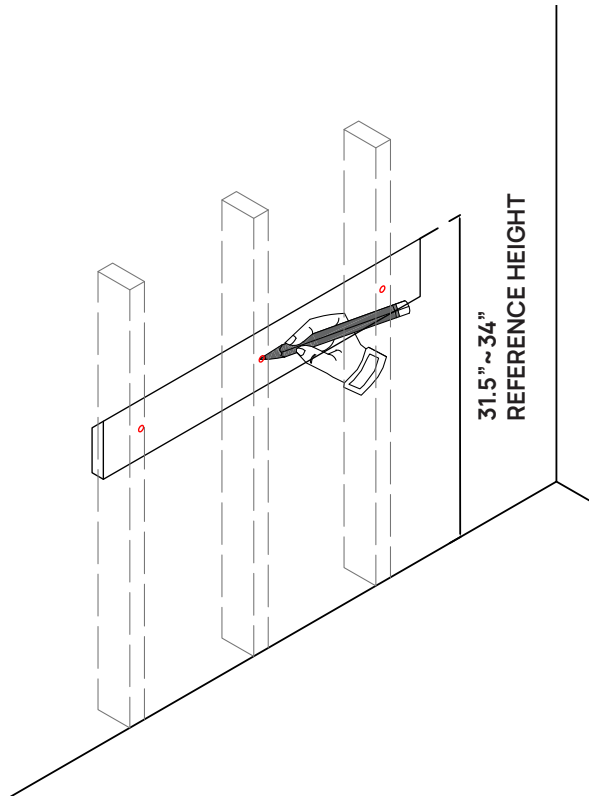
SCREWDRIVER

LEVEL

SILICONE

HAMMER

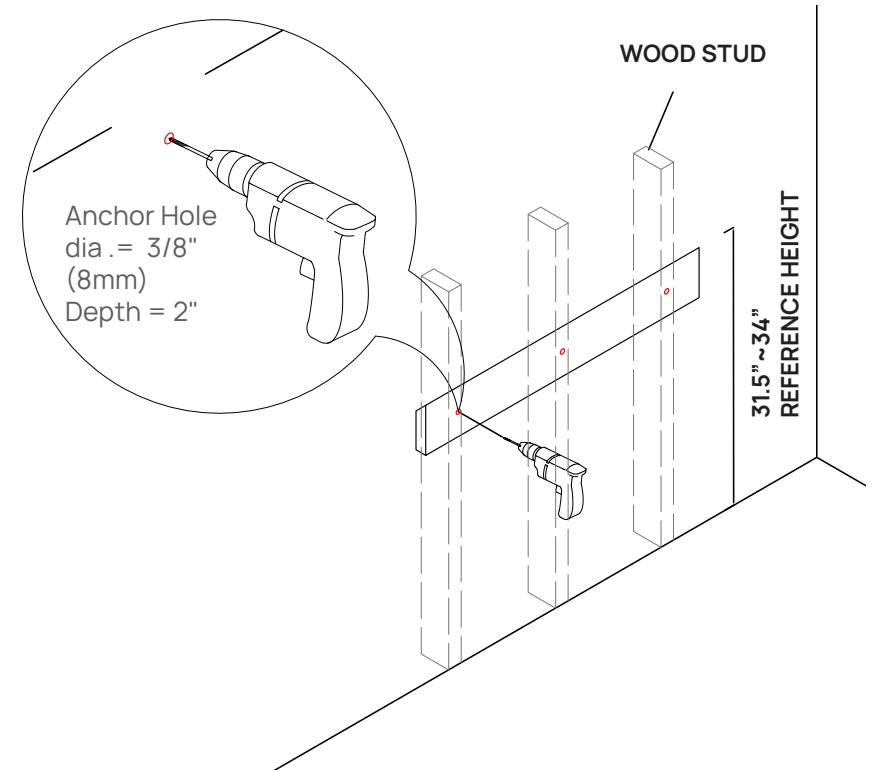
STEP 1



Locate the wood studs behind the walls. Mark the installation location for the wood cleat (C). Ensure the wood cleat (C) will be level before installing to the wall.

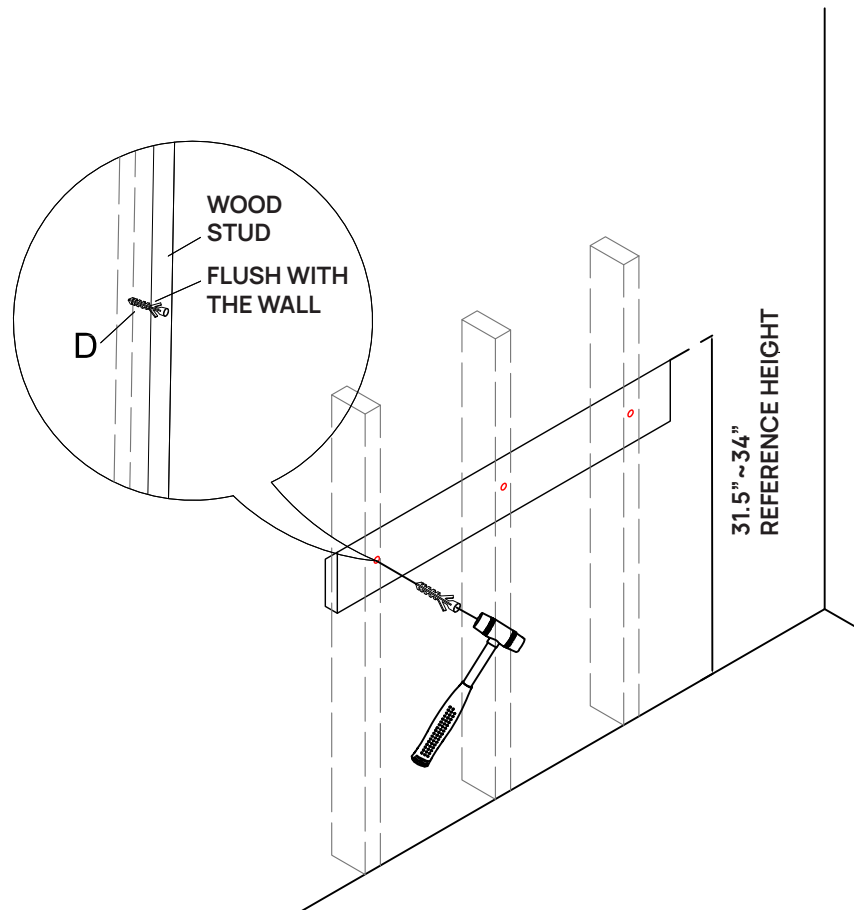
Note: The screw holes must be on the wood studs as dry wall cannot support the weight of the cabinet.

STEP 2



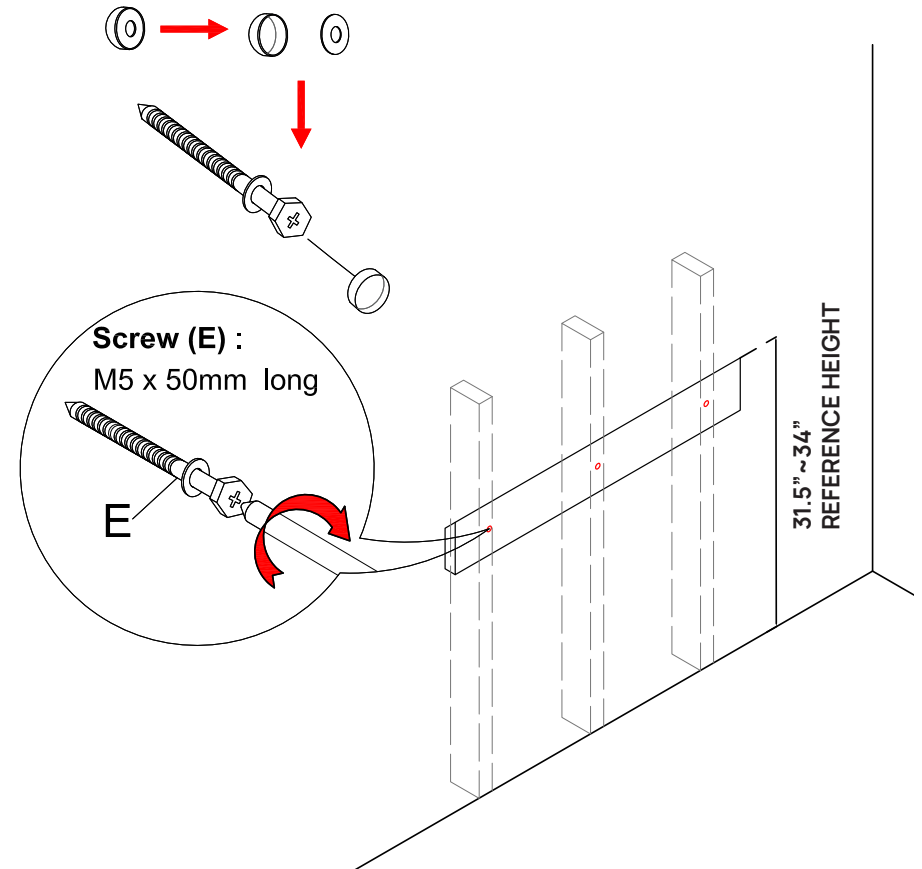
Drill the anchor holes through the marks from Step 1.

STEP 3



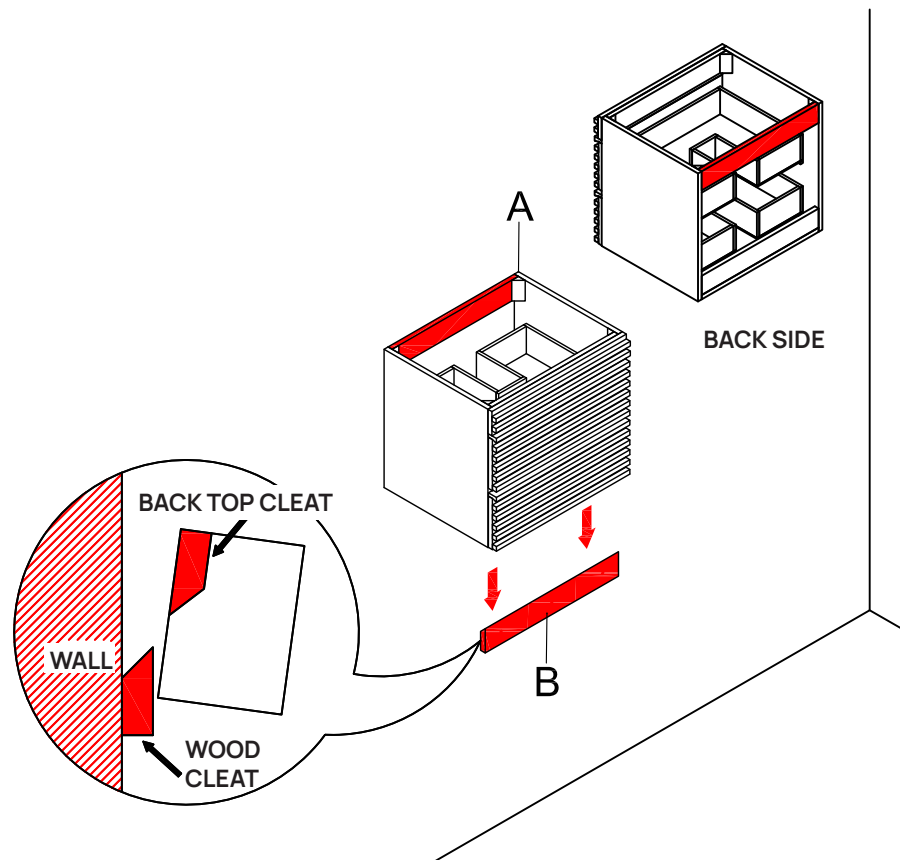
Hammer the wall anchors (D) provided into the wall.

STEP 4



Attach the wood cleats (C) to the wood studs with the wood screws provided (E).

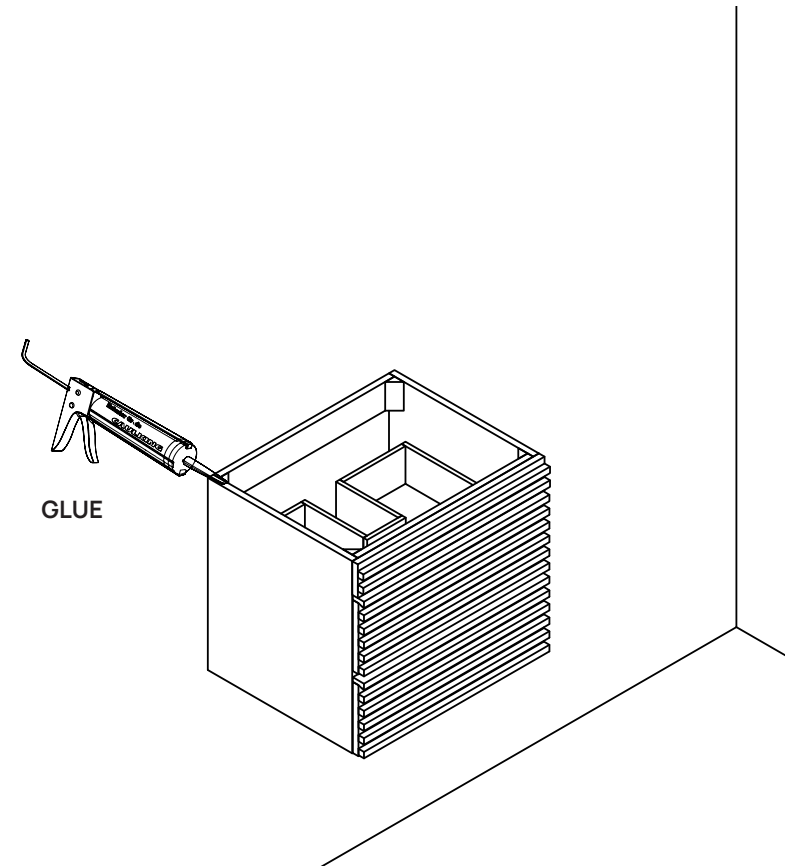
STEP 5



With help from another person, carefully hang the main cabinet (A) onto the wood cleat (C).

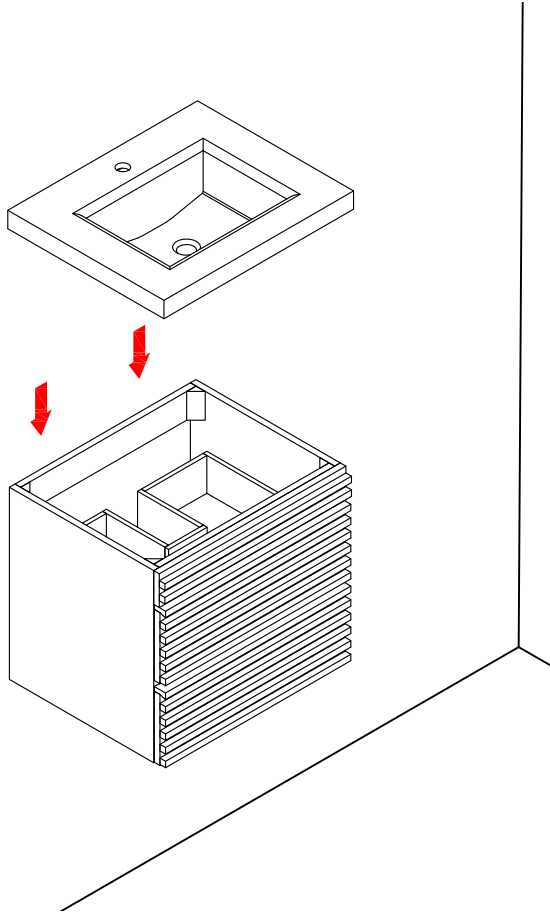
Note: When installing the wood cleat (C), make sure the angle cut is facing the wall.

STEP 6



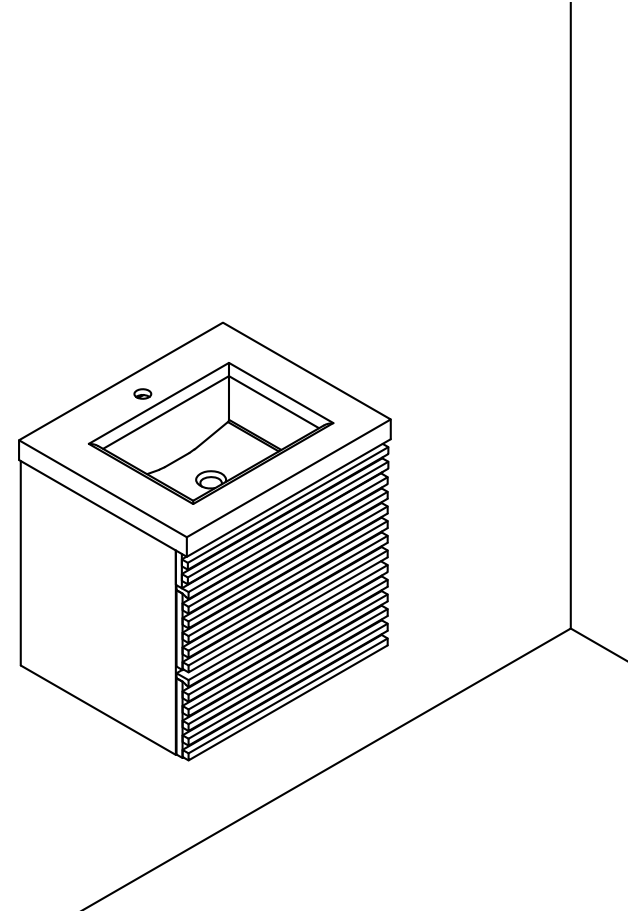
Apply caulk to the top perimeter of the top of the cabinet.

STEP 7



Install the countertop by attaching the basin so that the rim of the countertop rests on the caulk.

STEP 8



Please allow the caulk to dry for at least 24 hours before using your vanity.