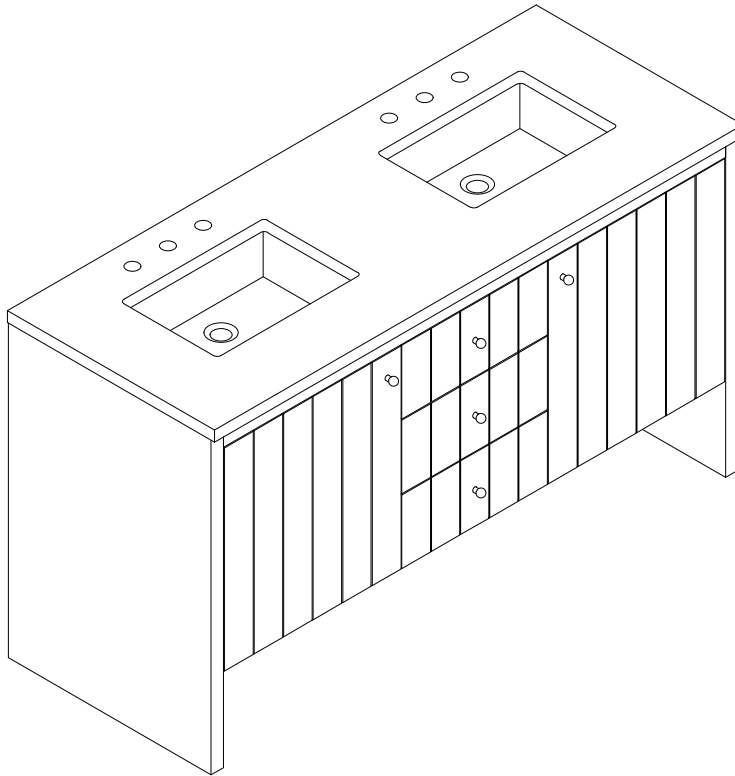


60D" HUDSON VANITY

JAMES MARTIN
VANITIES™

435-V60D-LNO



Features

Materials

Solids (Species): Ash

Veneers: Flat Cut White Oak

Panels: Plywood

Number of Basins: Two

Vanity Top : Sold Separately - 3cm Top with Sink

Basins Included: No

Number of Doors: Two

Number of Drawers: Four

Number of Tip Outs: No

USB/Power Component:Yes (ETL5011080)

Assembly Required: No

Bamboo Storage Tray: One

Drawer Box Material and Construction: 12mm Plywood/English Dovetail Joinery

Hardware Material and Finish: Zinc Alloy in Champagne Brass Color

Fits Drain Hole Size: 1-3/4"

Full Extension, Soft Close Glides

European Soft Close Hinges

Aluminum Laminate Drawer Liners

Dimension

Width:59-7/8"

Depth:23-1/8"

Height:33"

Rough-In Height:21-1/2"

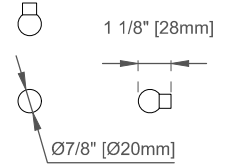
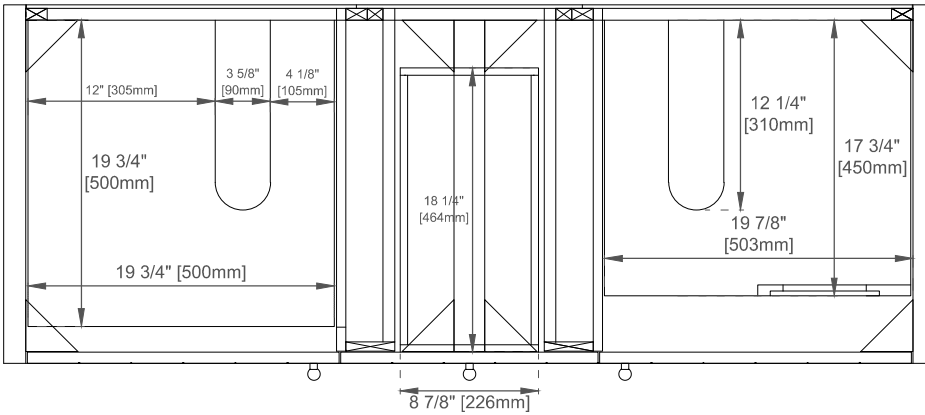
Visit website for warranty and installation information
www.jamesmartinvanities.com

Version:202212

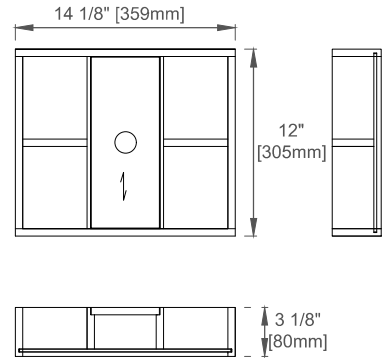
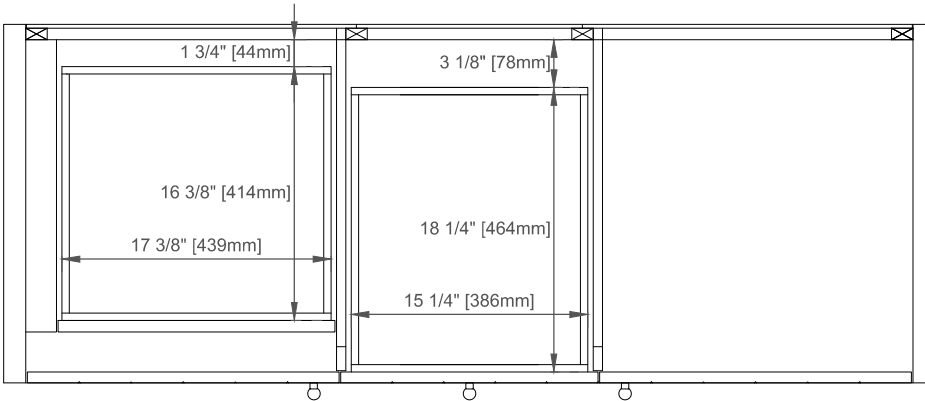
60D" HUDSON VANITY



435-V60D-LNO

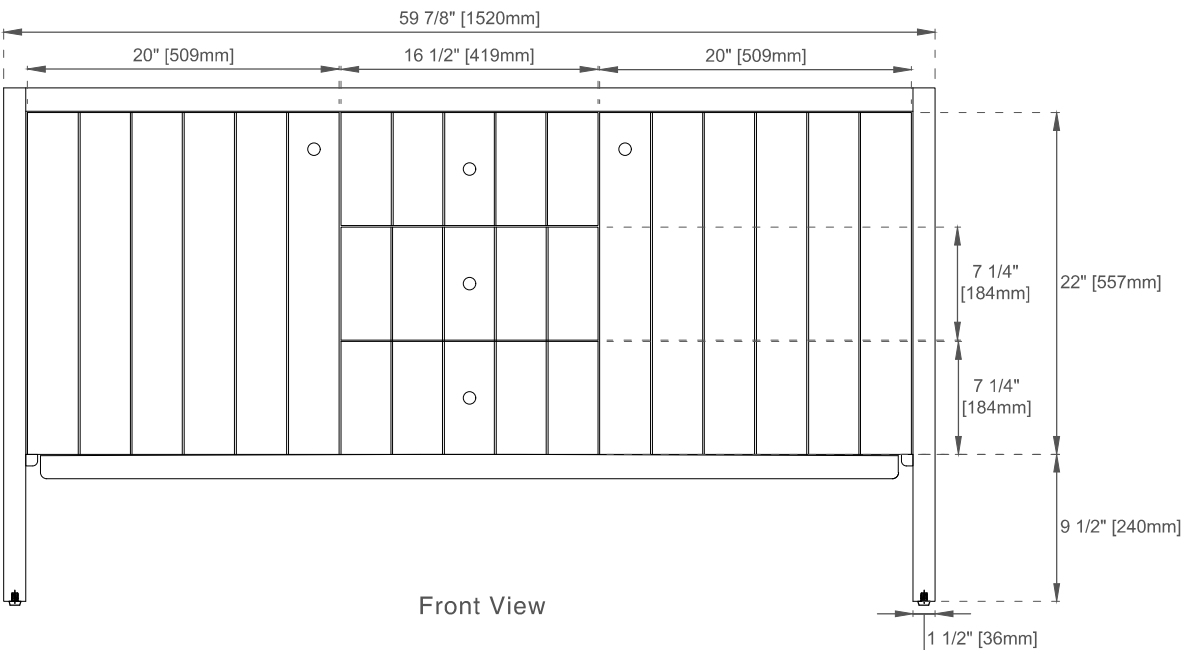


Knob



Bamboo Drawer Organizer

Top View



Front View

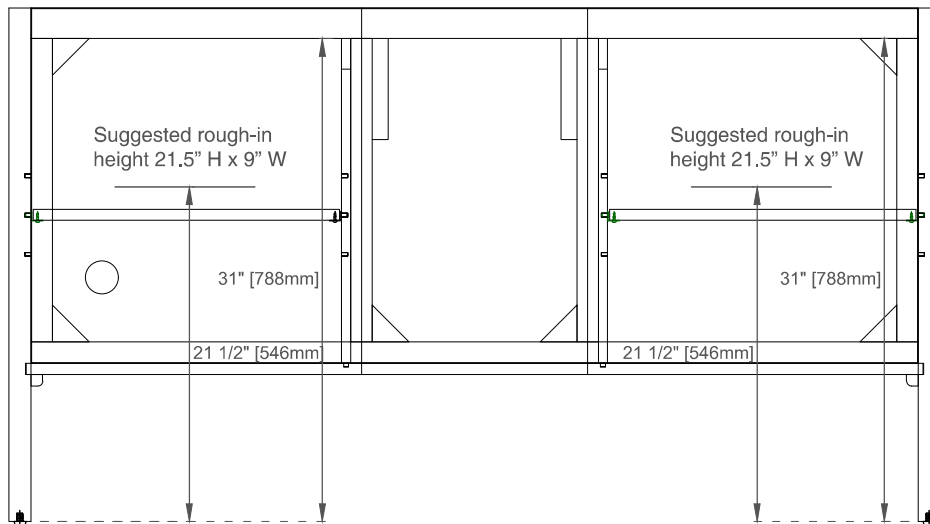
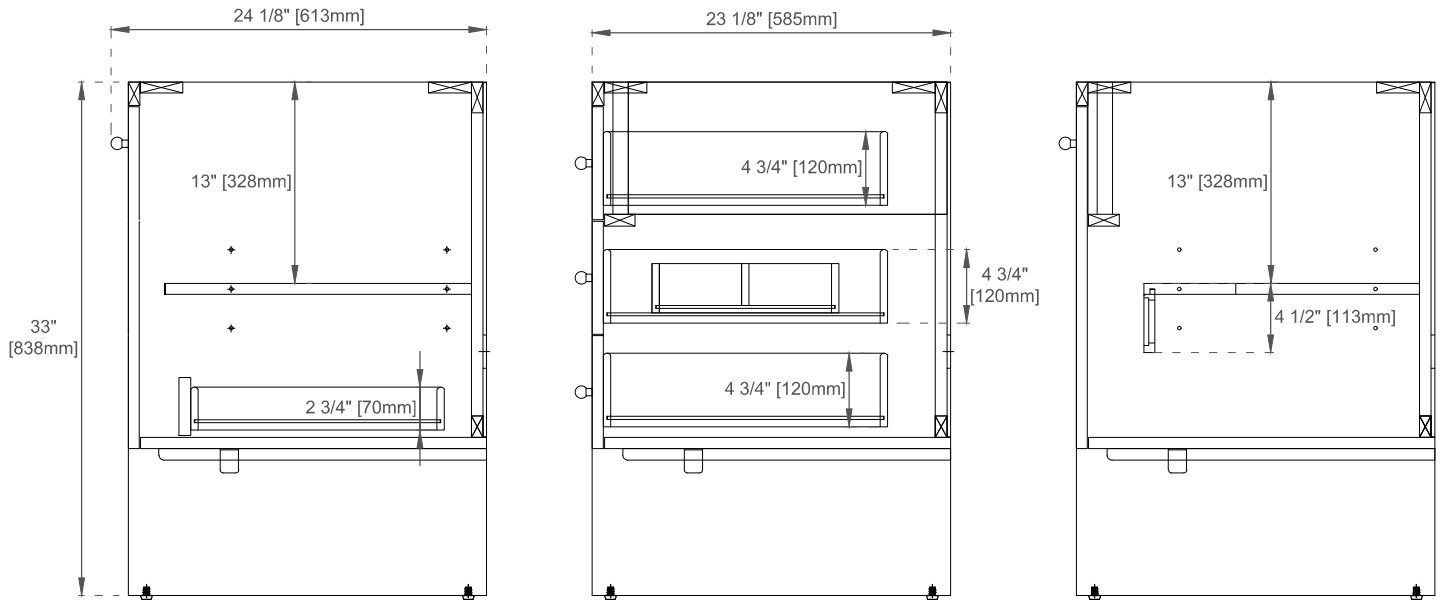
Diagrams are of cabinets only –James Martin Optional Countertops and sinks are not shown

Visit website for warranty and installation information
www.jamesmartinvanities.com

60D" HUDSON VANITY



435-V60D-LNO



Back View

Diagrams are of cabinets only –James Martin Optional Countertops and sinks are not shown

Visit website for warranty and installation information
www.jamesmartinvanities.com

Version:202212