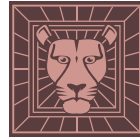


72"

Item Number:

500-V72-HON

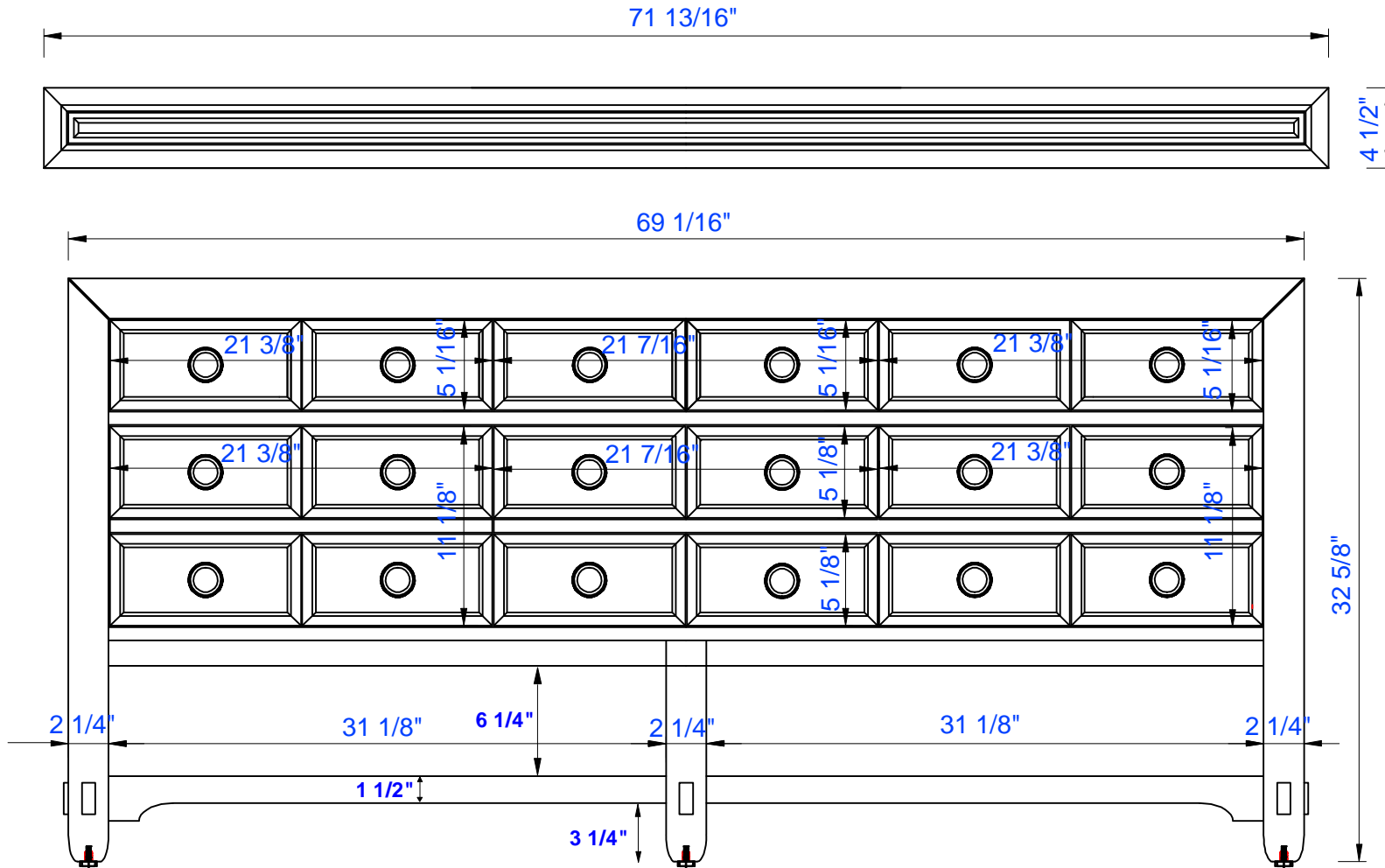
JAMES MARTIN



VANITIES™

Malibu 72" Cabinet

Diagrams with Dimensions
page 01 of 03



NOTE ONE: Countertops are not shown in these diagrams. (Cabinet Only)

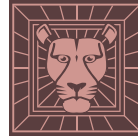
NOTE TWO: Wood Backsplash (Shown) is designed for the molding detail to align with sinks in James Martin's Optional Countertops. Customers' own countertops and sinks may align differently.

Please consult our website for Countertop Diagrams: www.jamesmartinvanities.com

72"

Item Number:
500-V72-HON

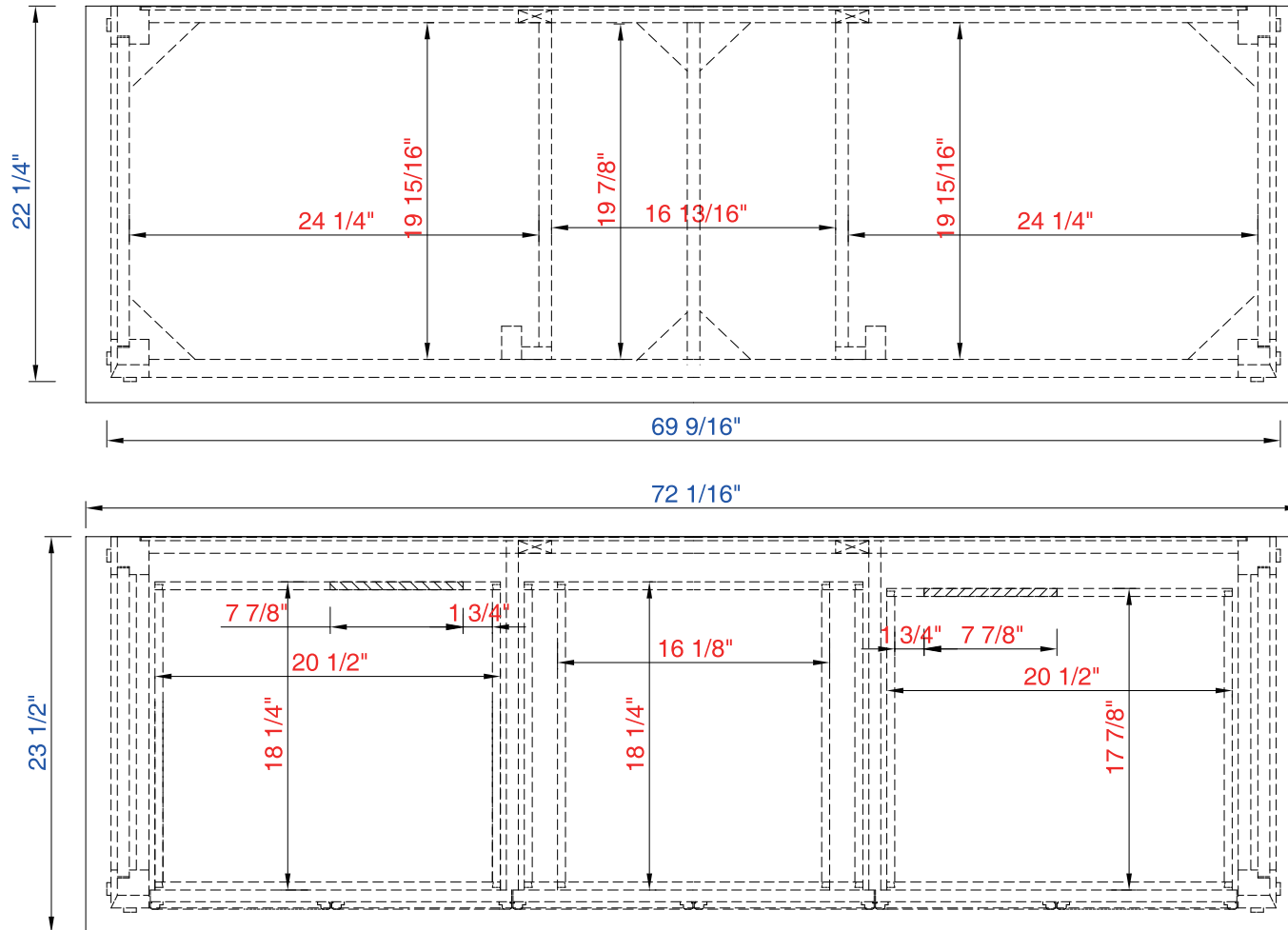
JAMES MARTIN



VANITIES™

Malibu 72" Cabinet

Diagrams with Dimensions
page 02 of 03



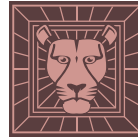
NOTE ONE: Countertops are not shown in these diagrams. (Cabinet Only)

Version: 201909

72"

Item Number:
500-V72-HON

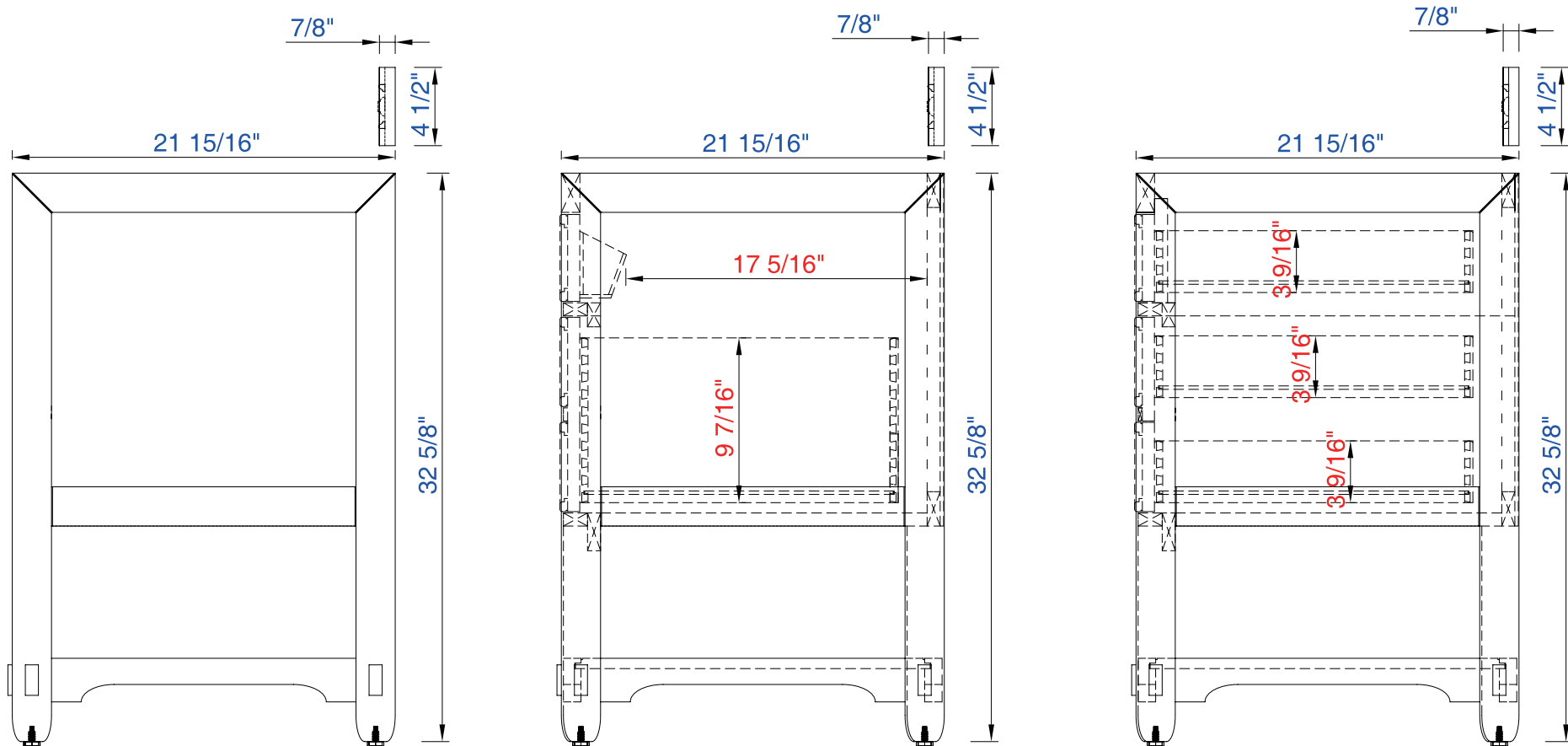
JAMES MARTIN



VANITIES™

Malibu 72" Cabinet

Diagrams with Dimensions
page 03 of 03



NOTE ONE: Countertops are not shown in these diagrams. (Cabinet Only)

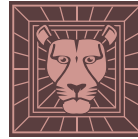
NOTE TWO: Wood Backsplash (Shown) is designed for the molding detail to align with sinks in James Martin's Optional Countertops. Customers' own countertops and sinks may align differently.

Please consult our website for Countertop Diagrams: www.jamesmartinvanities.com

1830mm

Item Number:
500-V72-HON

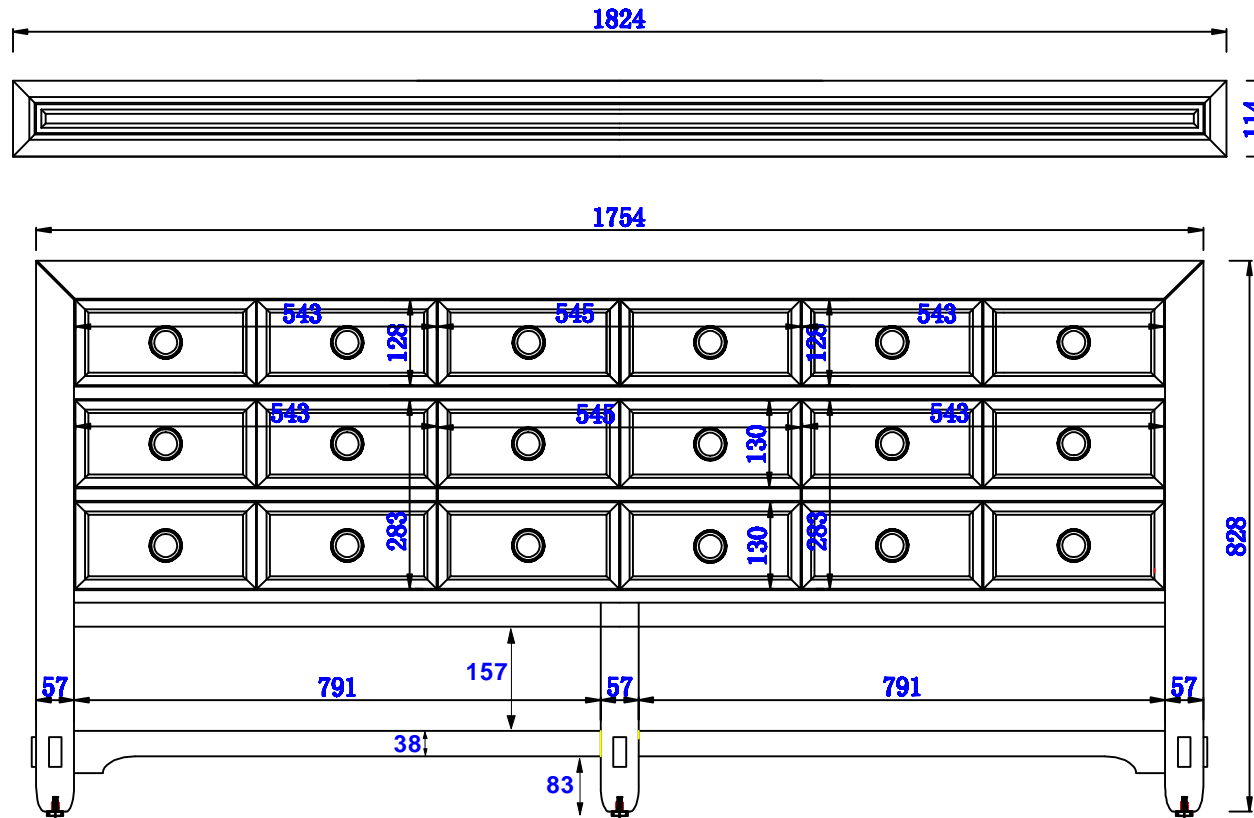
JAMES MARTIN



VANITIES™

Malibu 1830mm Cabinet

Diagrams with Dimensions
page 01 of 03



NOTE ONE: Countertops are not shown in these diagrams. (Cabinet Only)


NOTE TWO: Wood Backsplash (Shown) is designed for the molding detail to align with sinks in James Martin's Optional Countertops. Customers' own countertops and sinks may align differently.

Please consult our website for Countertop Diagrams: www.jamesmartinvanities.com

1830mm

Item Number:
500-V72-HON

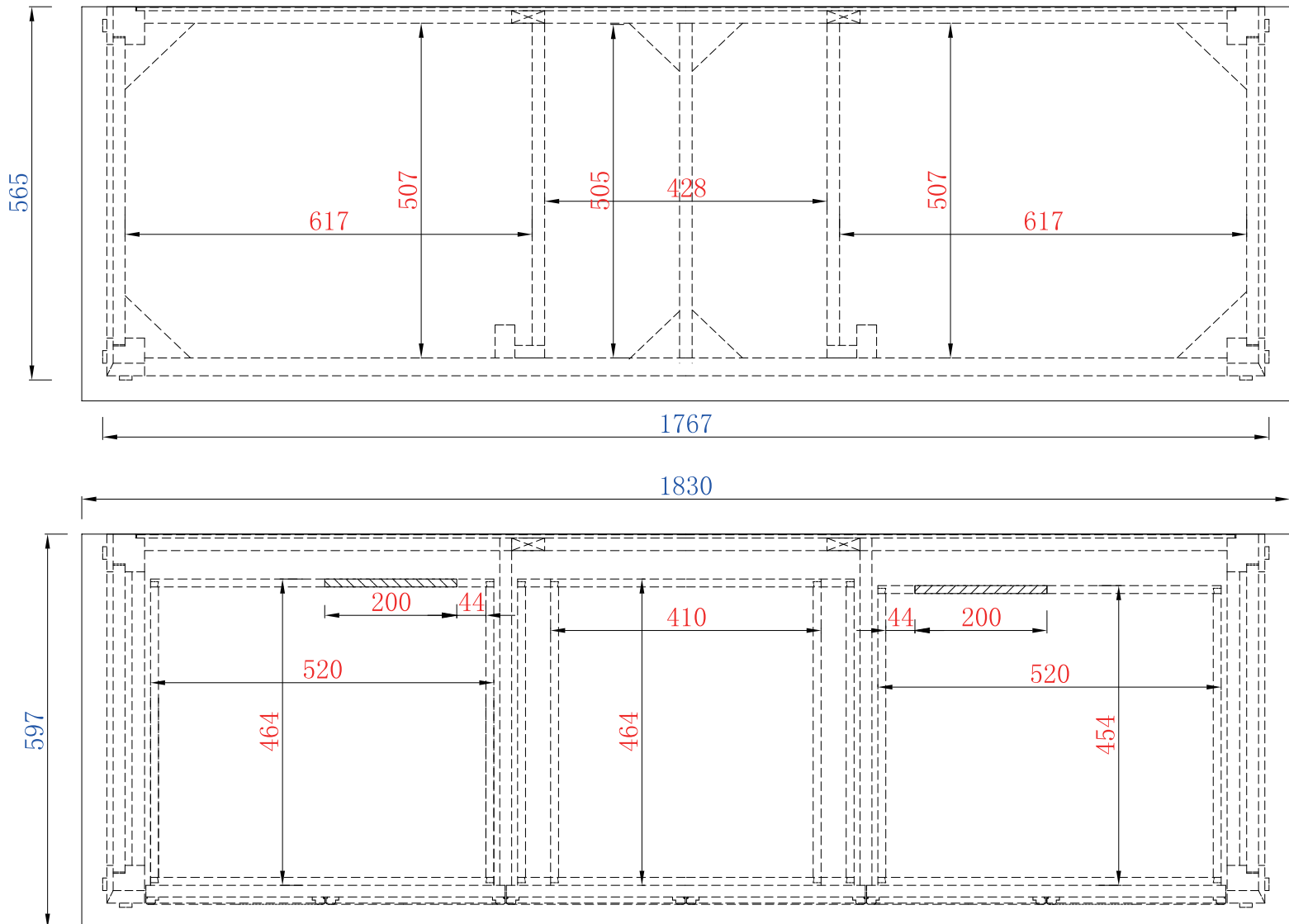
JAMES MARTIN



VANITIES™

Malibu 1830mm Cabinet

Diagrams with Dimensions
page 02 of 03



The technical drawing consists of two views of the cabinet. The top view shows the front elevation with a total width of 1830mm and a height of 565mm. It features three vanity units. The left and right units are 617mm wide, and the central unit is 428mm wide. The distance between the inner edges of the vanity units is 505mm. The distance from the inner edge of the vanity unit to the side panel is 507mm. The bottom view shows the side elevation with a total depth of 597mm. It shows the depth of the vanity units and the side panels. The vanity units are 520mm deep, and the side panels are 464mm deep. The distance between the vanity units is 410mm. The distance from the vanity unit to the side panel is 200mm, and the distance from the side panel to the vanity unit is 44mm.

NOTE ONE: Countertops are not shown in these diagrams. (Cabinet Only)

Version: 201909

1830mm

Item Number:
500-V72-HON

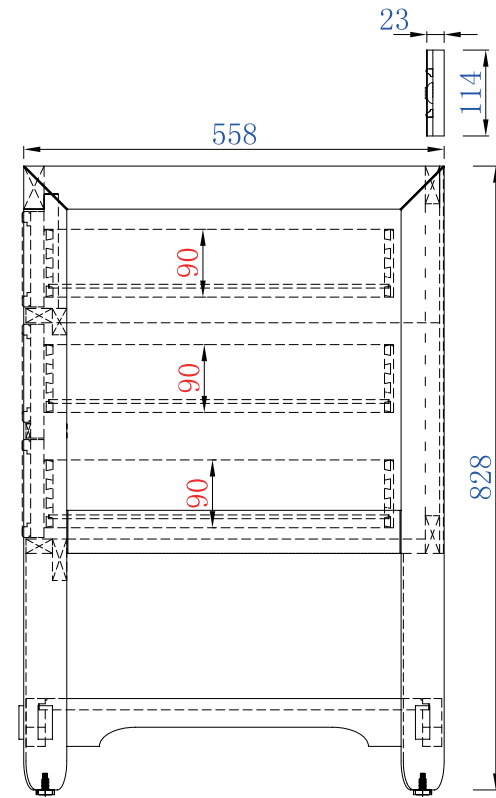
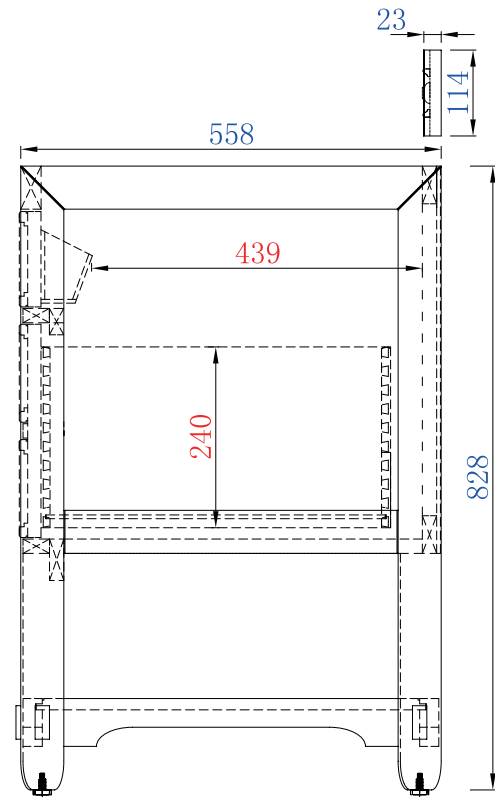
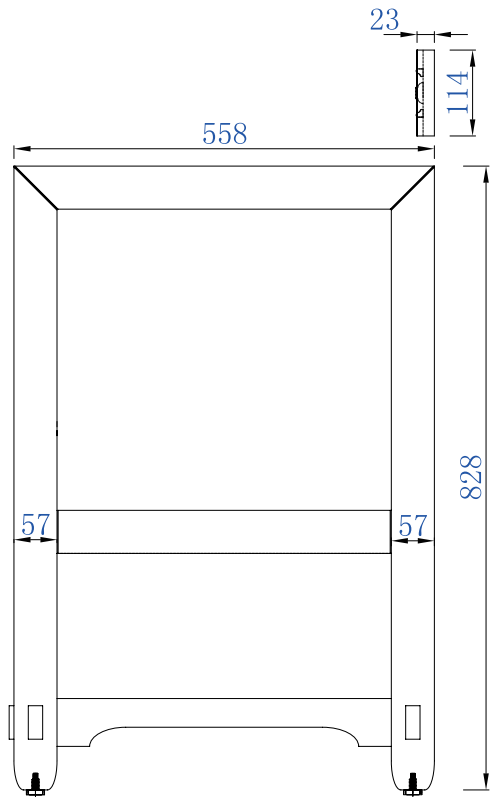
JAMES MARTIN



VANITIES™

Malibu 1830mm Cabinet

Diagrams with Dimensions
page 03 of 03



NOTE ONE: Countertops are not shown in these diagrams. (Cabinet Only)

NOTE TWO: Wood Backsplash (Shown) is designed for the molding detail to align with sinks in James Martin's Optional Countertops. Customers' own countertops and sinks may align differently.

Please consult our website for Countertop Diagrams: www.jamesmartinvanities.com