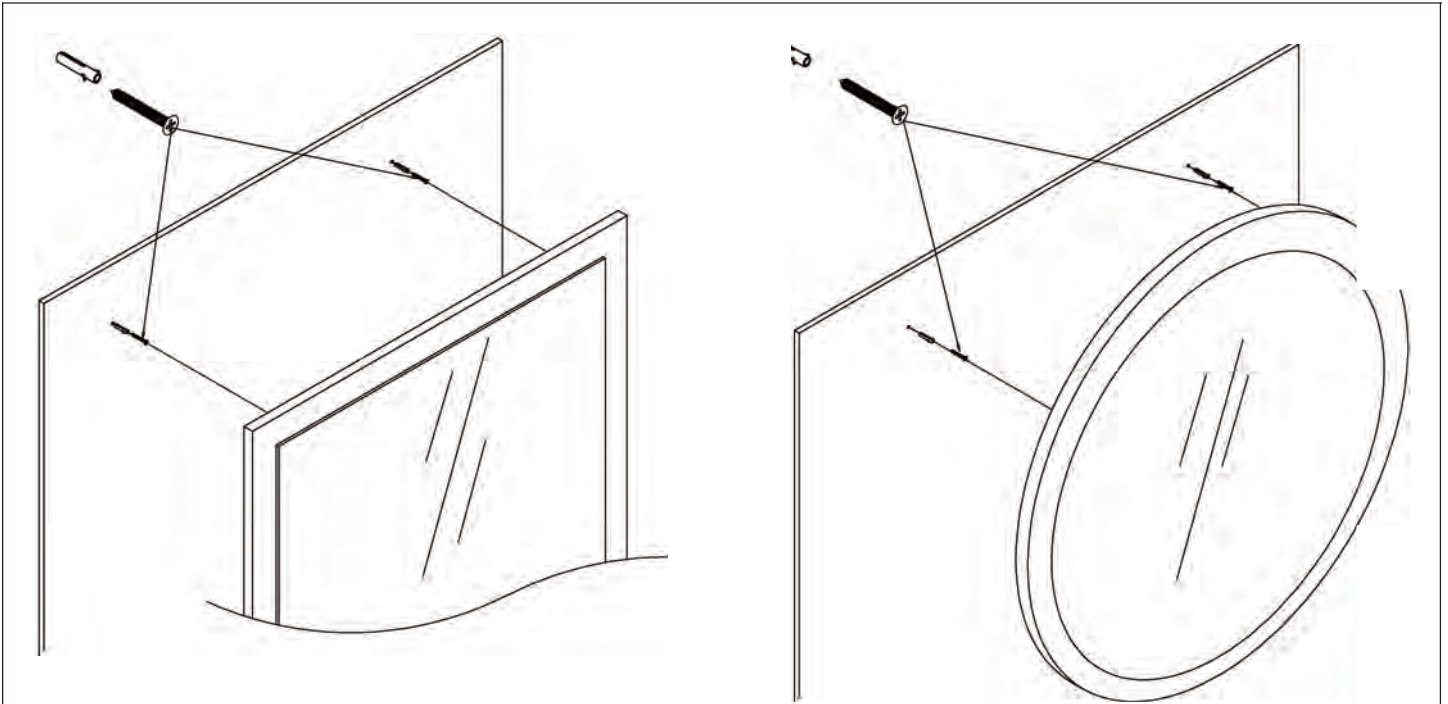
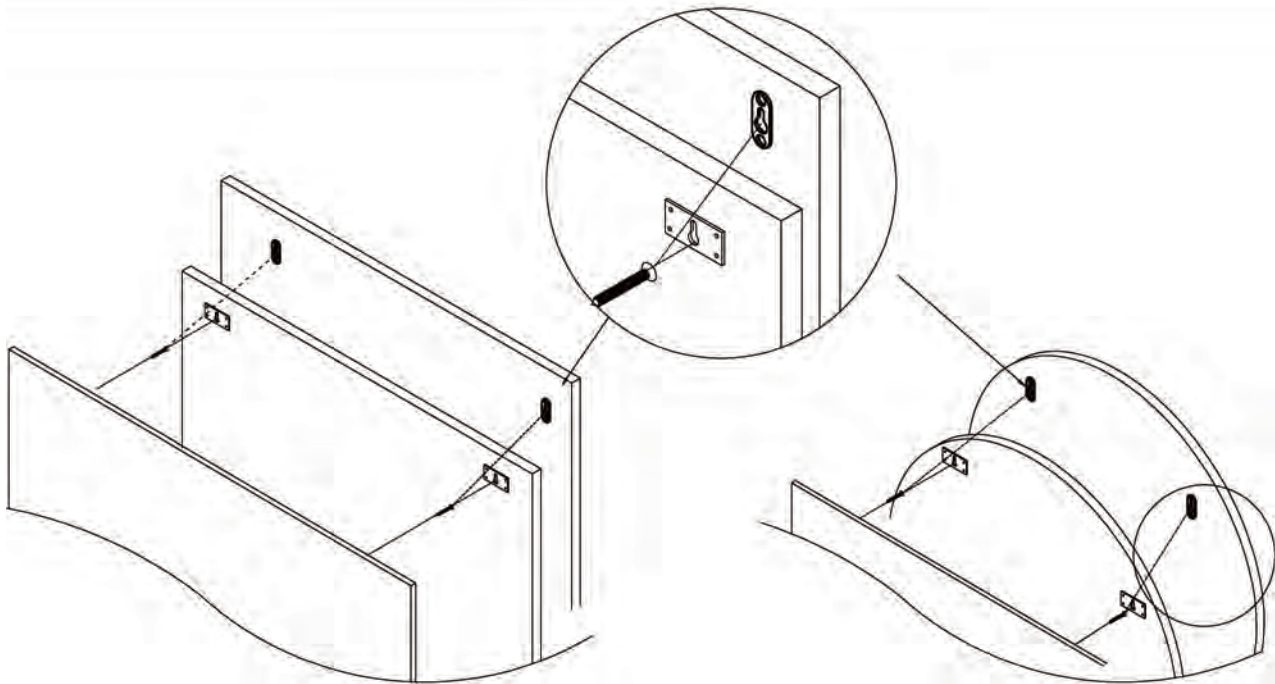


Mirror  
Hanging Instructions



**Keyhole Style Mirror Hangers**

These heavy-duty hangers ship pre-attached to the back side of the James Martin Mirrors



**IMPORTANT**

James Martin Vanities Company always recommends you consult and/or hire a professional contractor when installing your mirror