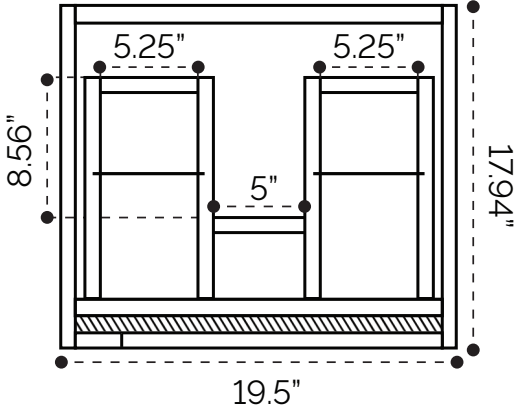
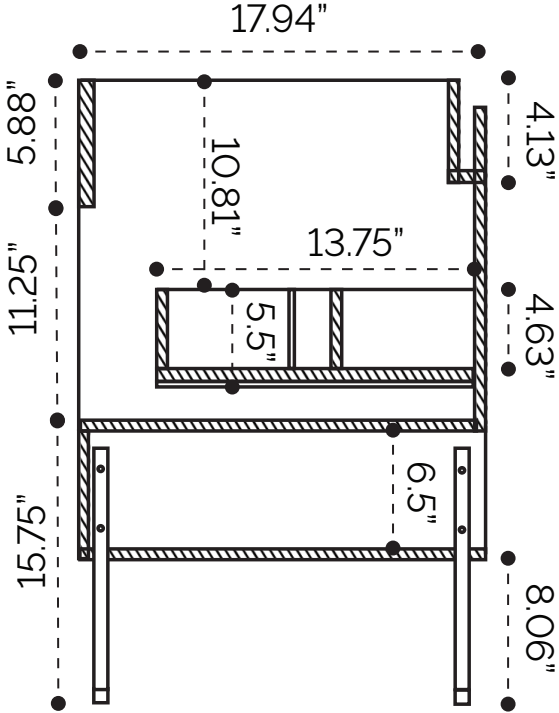


SECTION VIEW

TOP VIEW



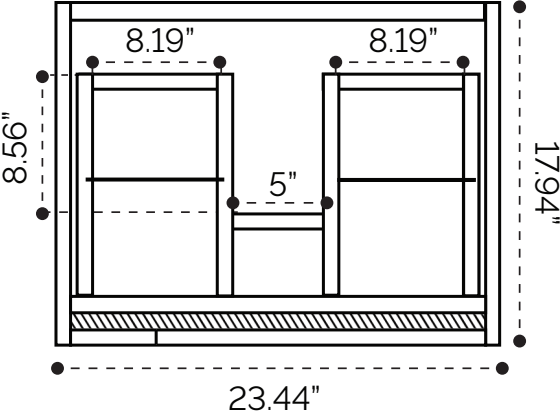
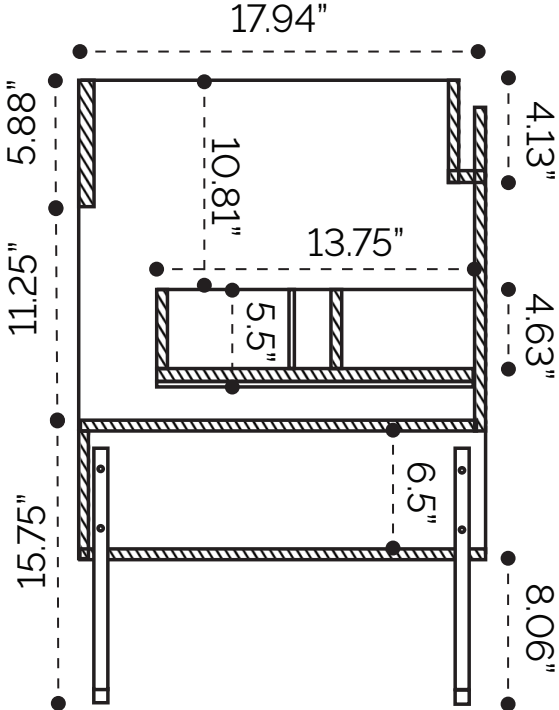
# PLUMBING GUIDE

Kaleb 24"



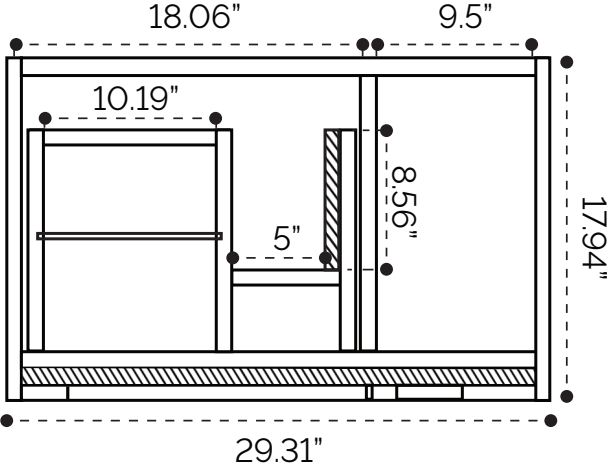
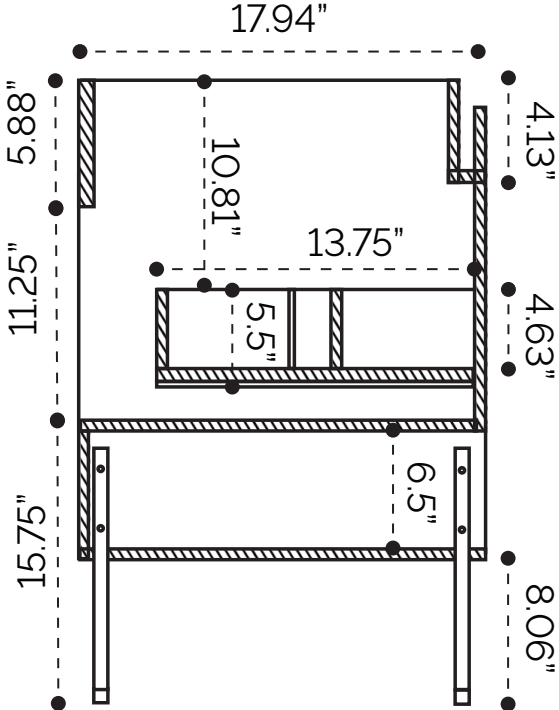
SECTION VIEW

TOP VIEW



SECTION VIEW

TOP VIEW



SECTION VIEW

TOP VIEW

