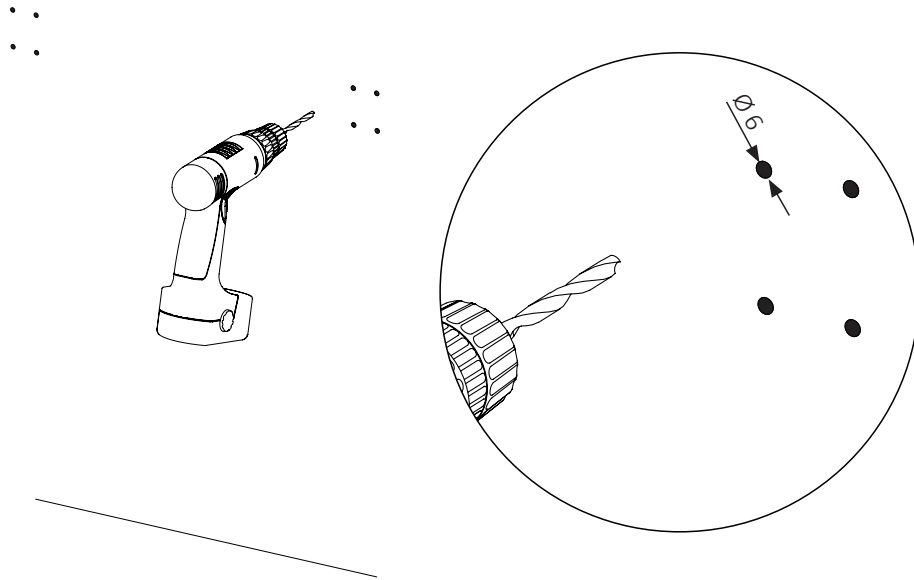
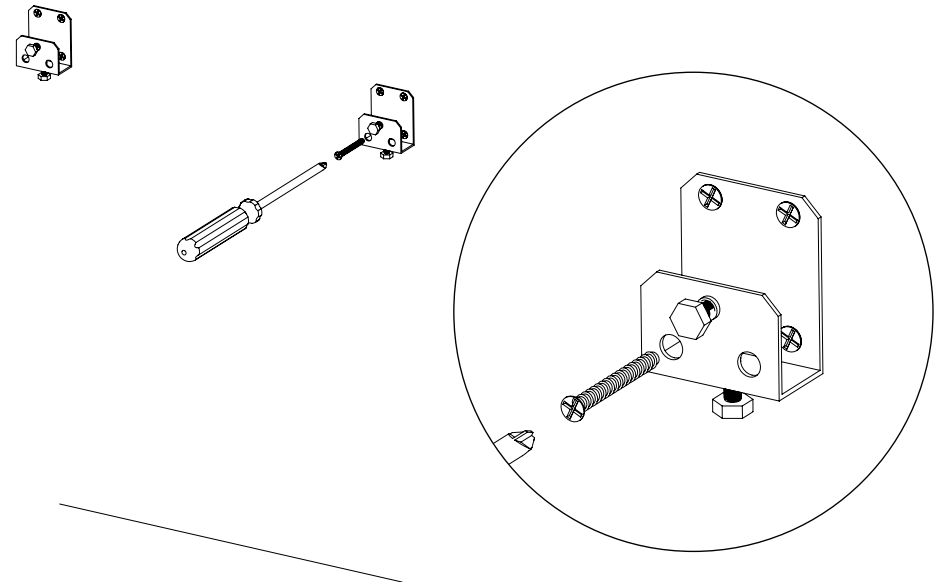


## STEP 1



- Drill holes in the wall to install the Decofix System in the next step.

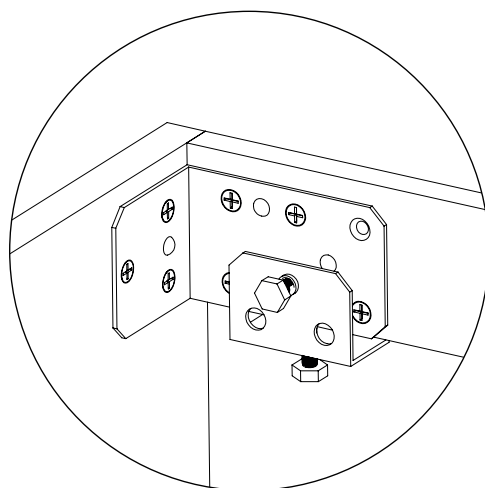
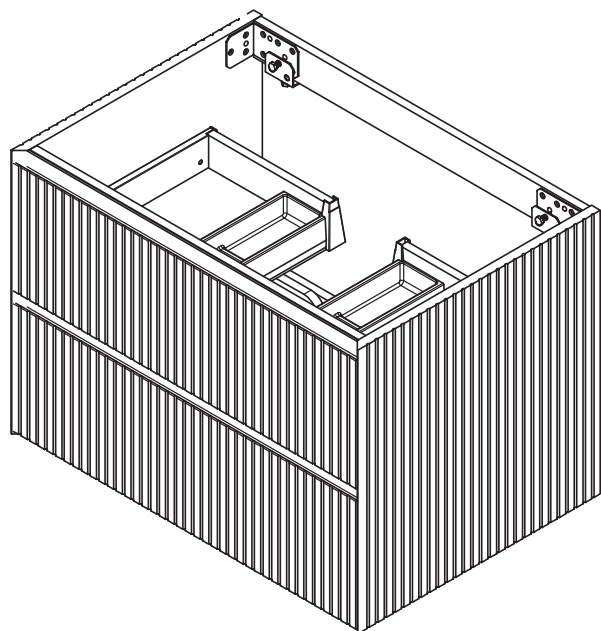
## STEP 2



- Screw the Decofix System to the wall.

## STEP 3

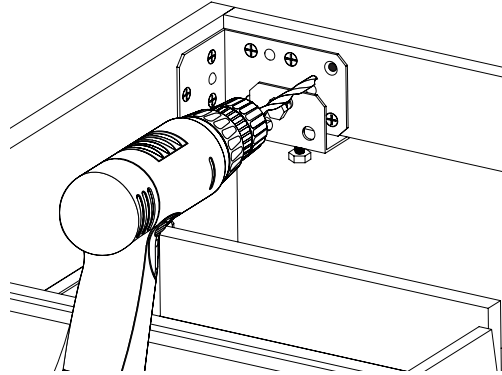
---



- Adjust the position screwing the screws.

## STEP 4

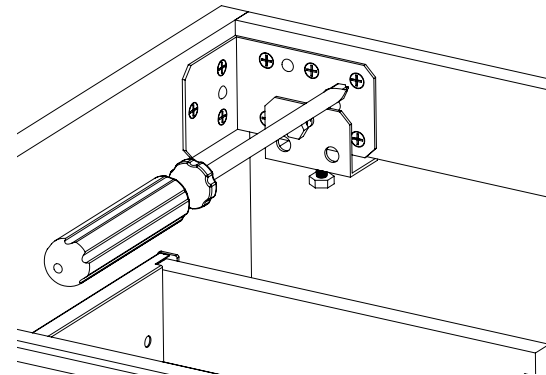
---



- Drill an extra hole using the Decofix System as a guide to bring major strength to the union.

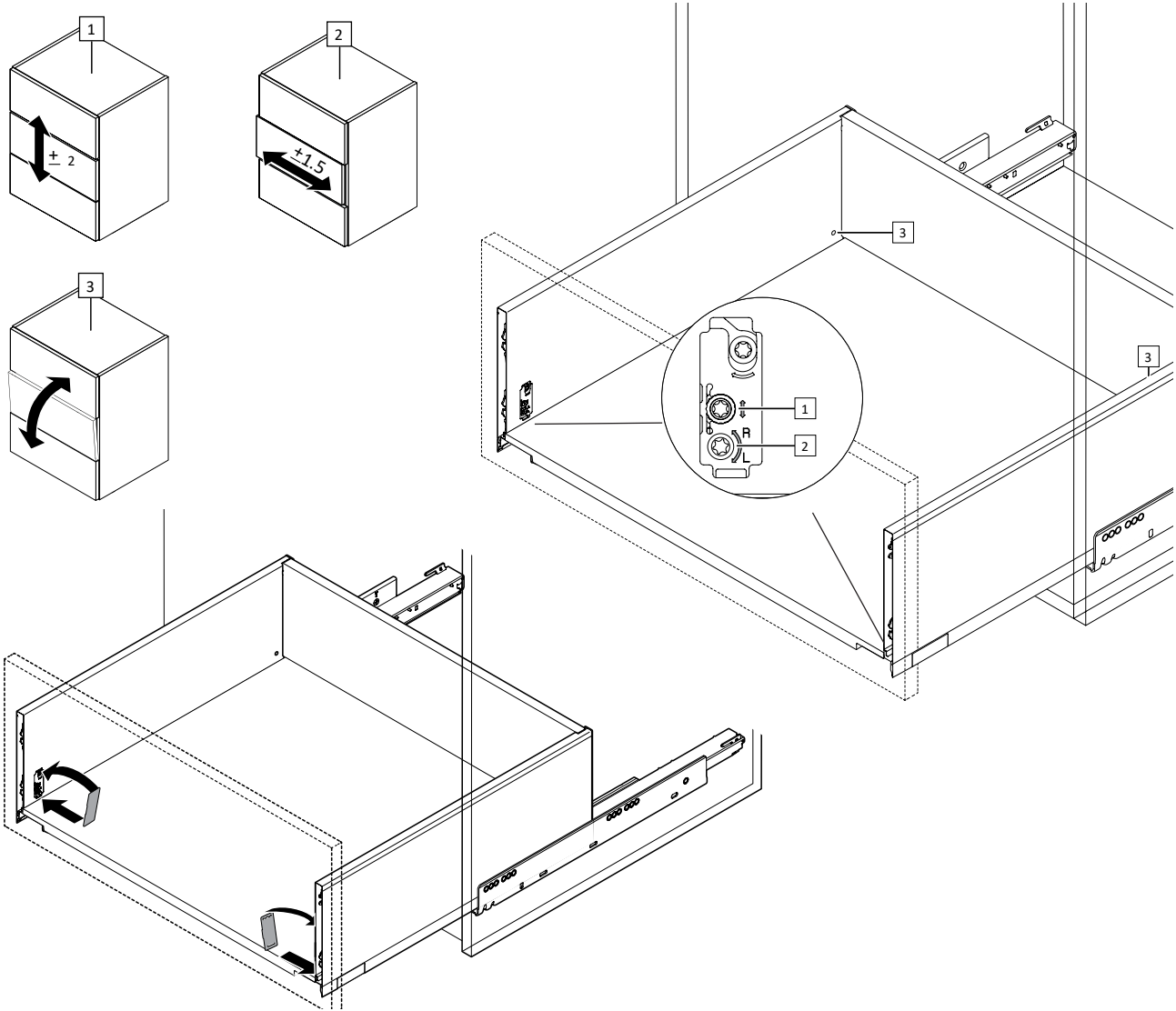
## STEP 5

---

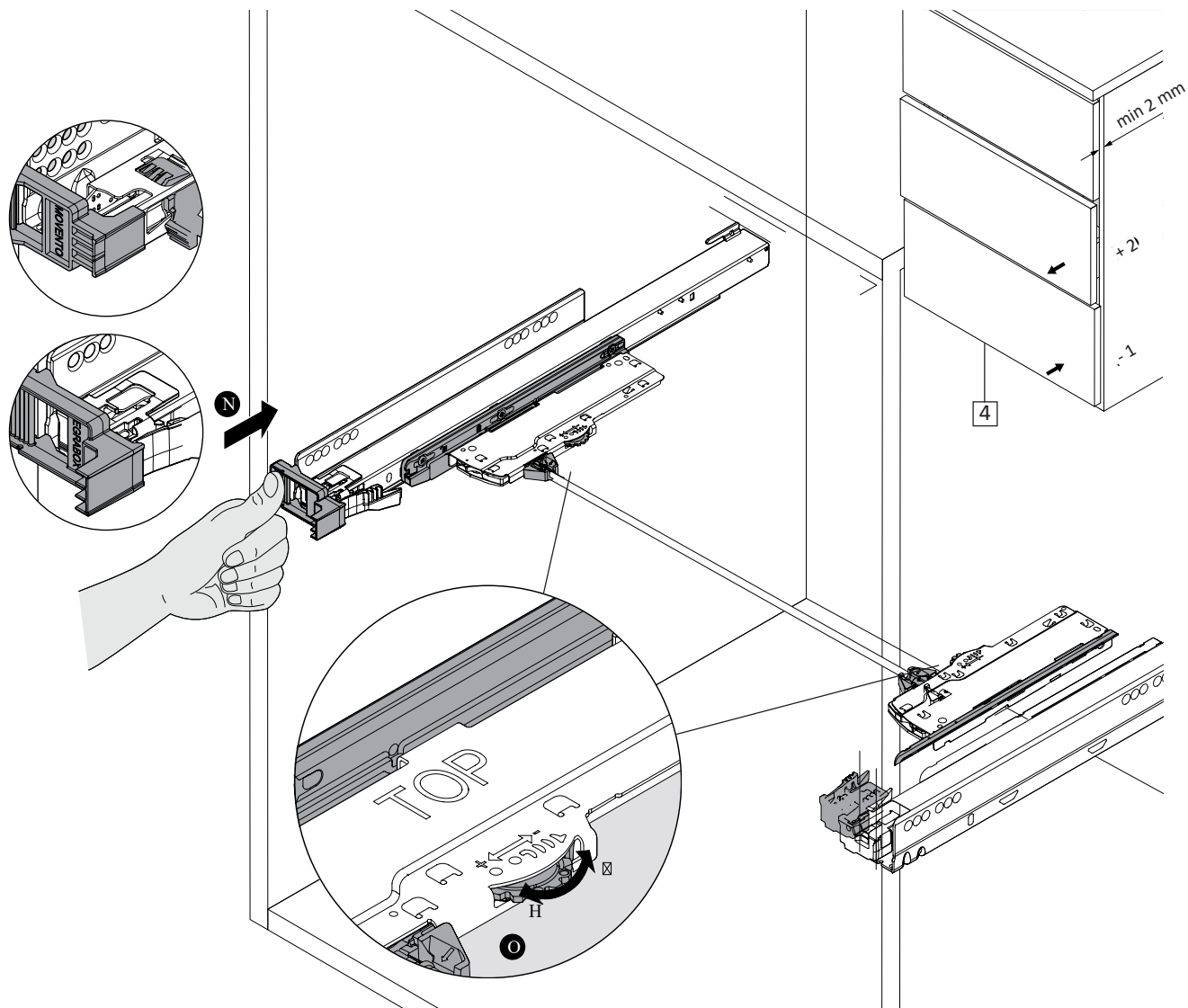


- Screw the main body to the wall in order to bring more security to the installation.

## ADJUSTING (IF NEEDED)



## ADJUSTING (IF NEEDED)



## MAINTENANCE, CARE & EXTRAS

### Gloss:

For regular cleanings, use a soft cotton cloth dampened with water. For a thorough clean, use solvent-free glass cleaners and dry with a soft cloth.

### Metallic parts:

It is strongly recommended to clean with a damp cloth and dry carefully with a soft cloth.

### Marble:

To clean marble, use a PH-neutral cleaning formula. Avoid using glass cleaners, generic cleaners, or any other product not specifically labeled to be used on marble surfaces.