



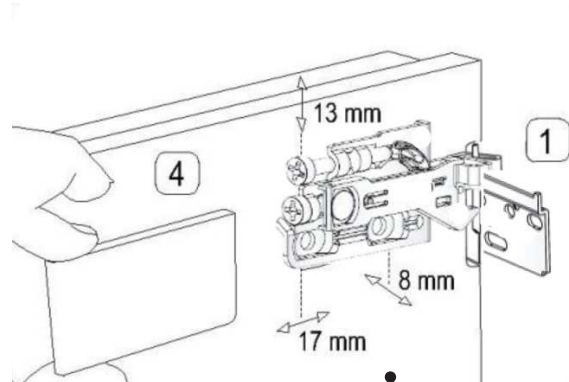


INSTALLATION GUIDE

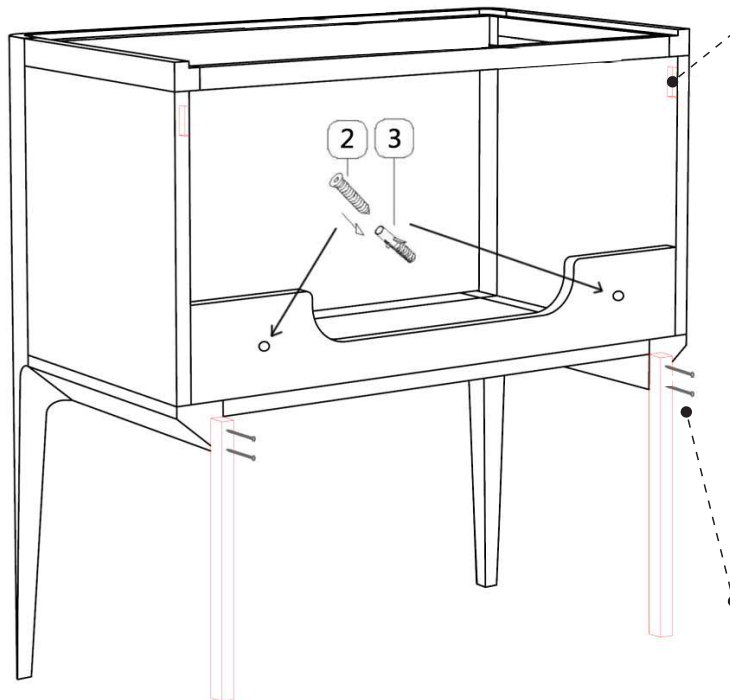
Luxe Collection

tilebar

SUPPLIED SPARE PARTS			
Description			Qty
1	Wall Fixing		2
2	Wall Plug		8
3	Wall Fixing Screw		8
4	Trim		2



Using the attached brackets, affix the vanity to the wall by adhering it to the support blocking that has been prepared.







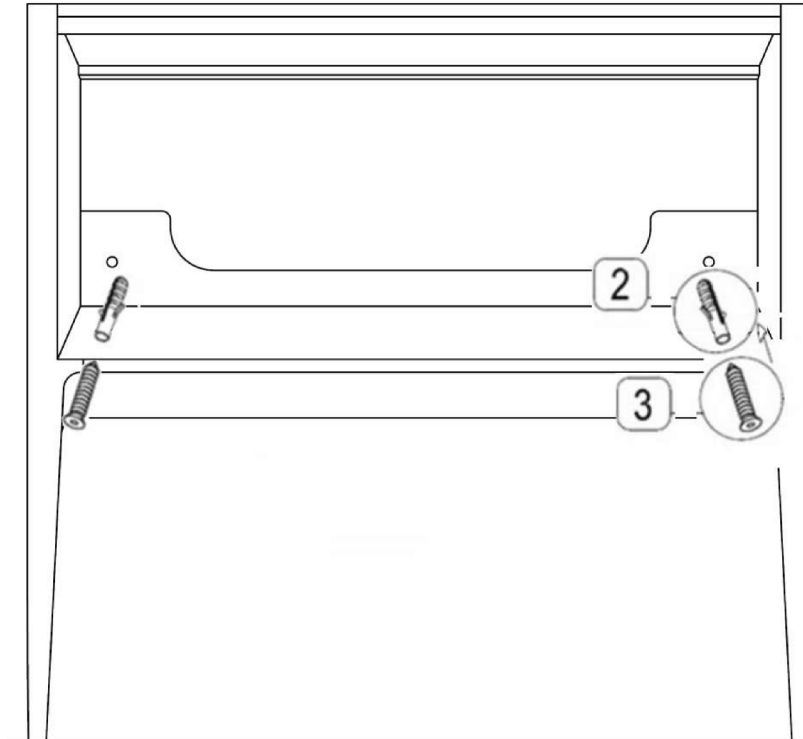
Back legs should be removed after installation and are there only to help support the unit during wallmounting.

INSTALLATION GUIDE

Luxe Collection

tilebar

SUPPLIED SPARE PARTS			
Description			Qty
1	Wall Fixing		2
2	Wall Plug		8
3	Wall Fixing Screw		8
4	Trim		2



Using the pre-drilled holes, attach the base of the vanity to the wall to finish and secure the installation