
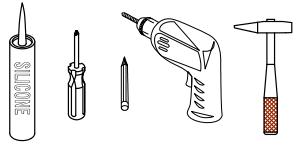

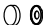

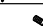



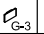


INSTALLATION GUIDE

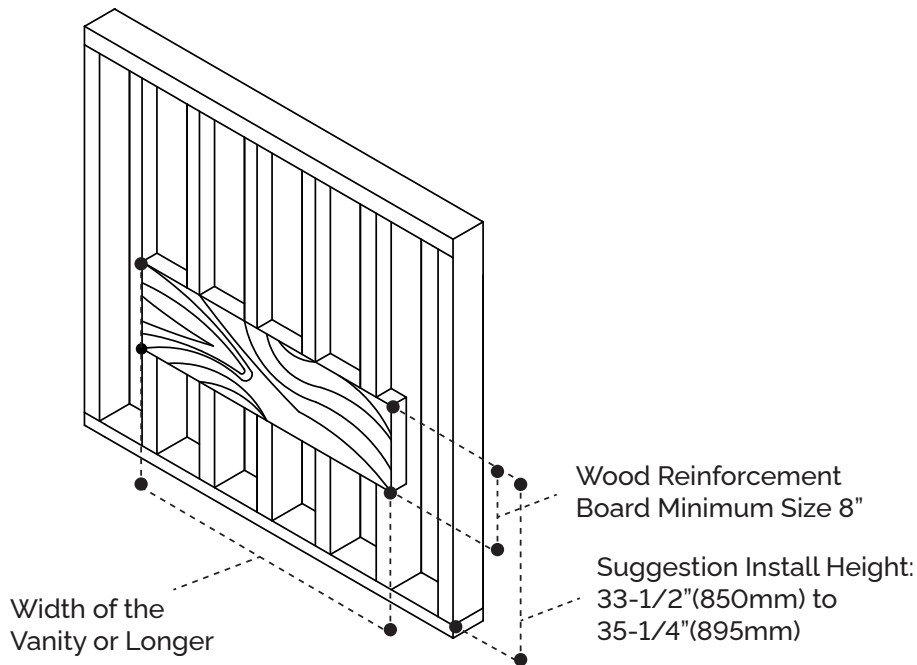
Portofino Collection

tilebar

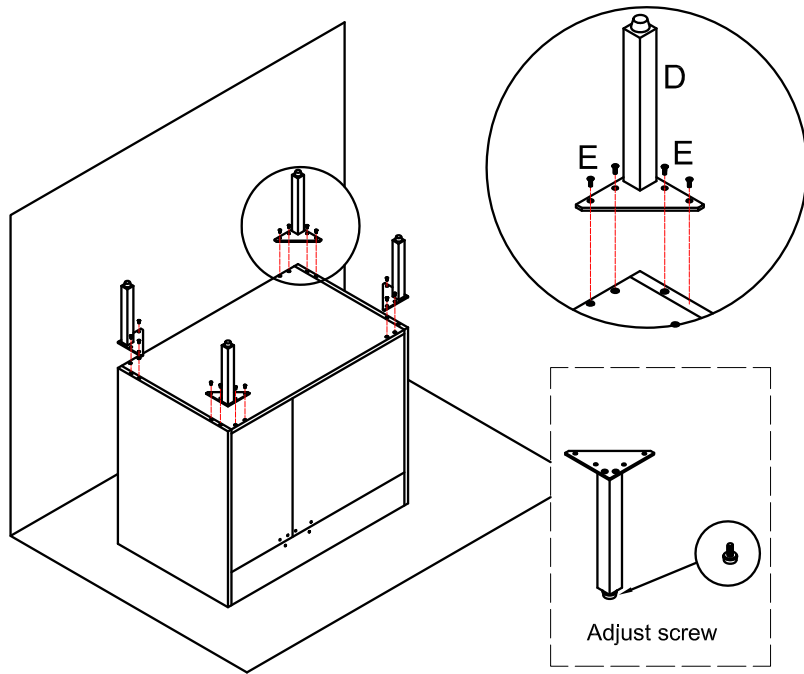
Hardware			Tools (not includes)
NO.		Draw	
A	White rubber plug(Ø6mm)		
B	Screws(Ø4 x 68mm)		
C	Stainless steel cover		
D	200mm hight metal feet		
E	Metal foot screw(M4x14mm)		
F	Handle Screw(M4x22mm)		
G	Handle	  	

Wall blocking is required for all installation.

The suggested heights without the sink are 30-5/8" for our Resin Basin, or 32-5/8" for our Ceramic Basin. Depending on the sinks selected, the total height will vary from 33-1/2"(850mm) to 35-1/4"(895mm). If an alternate height desired, adjust the rough-in and backing material heights using the dimensions provided.

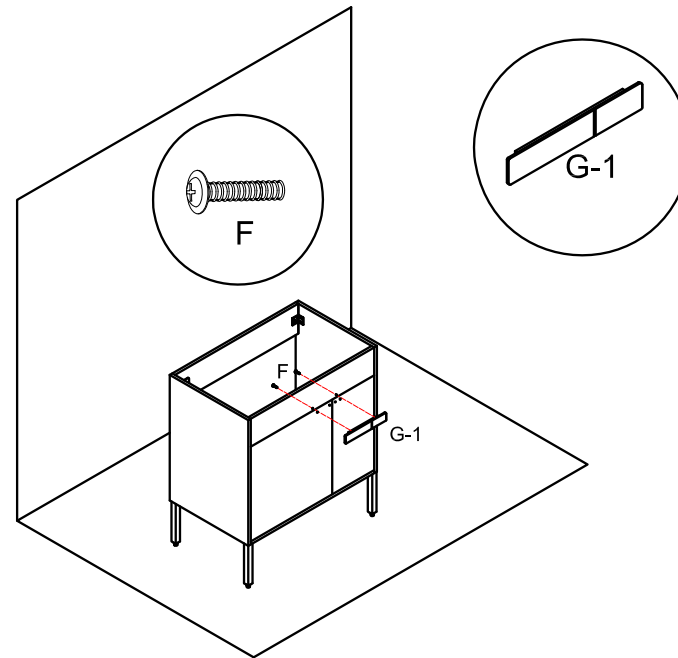


STEP 1



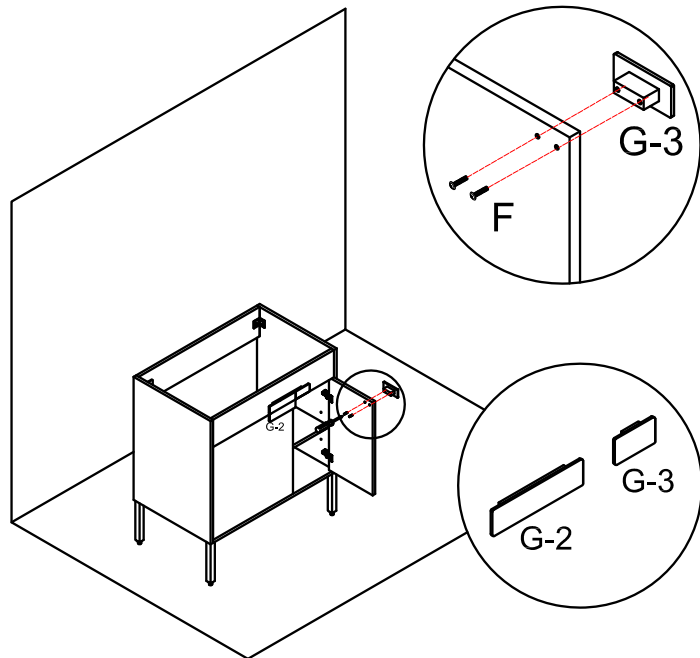
- Turn the bottom of the cabinet upside down.
- Install metal pin D with E screw according to the hole position at the bottom.
- The adjusting screw at the bottom of the metal foot can be raised 0-9/16" (0-15mm).

STEP 2



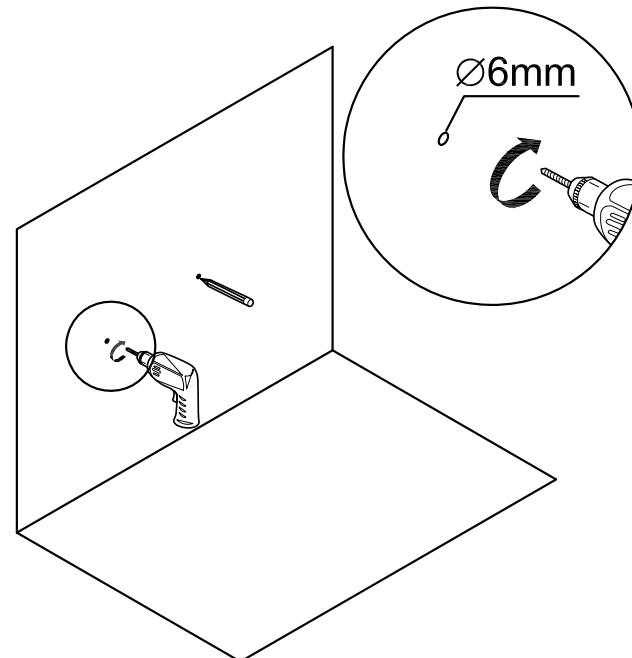
- Use handle screw F to align the G-1 handle with the hole.

STEP 3



- Use handle screw F to align the G-2 handle with the hole.
- Use handle screw F to align the G-3 handle with the hole.

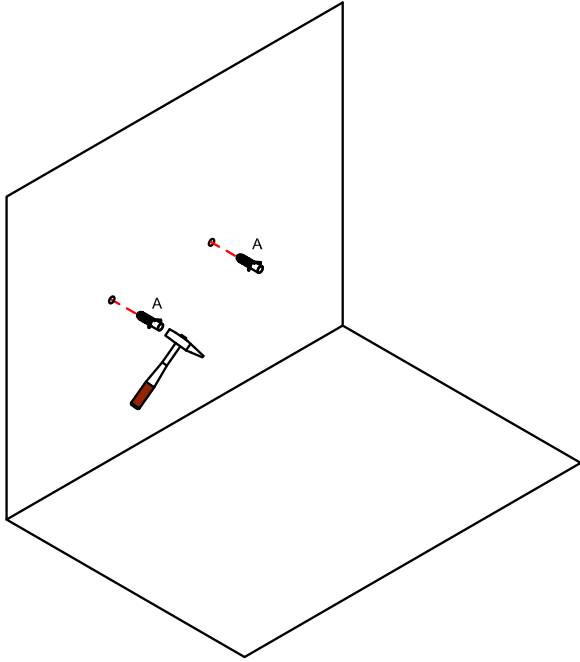
STEP 4



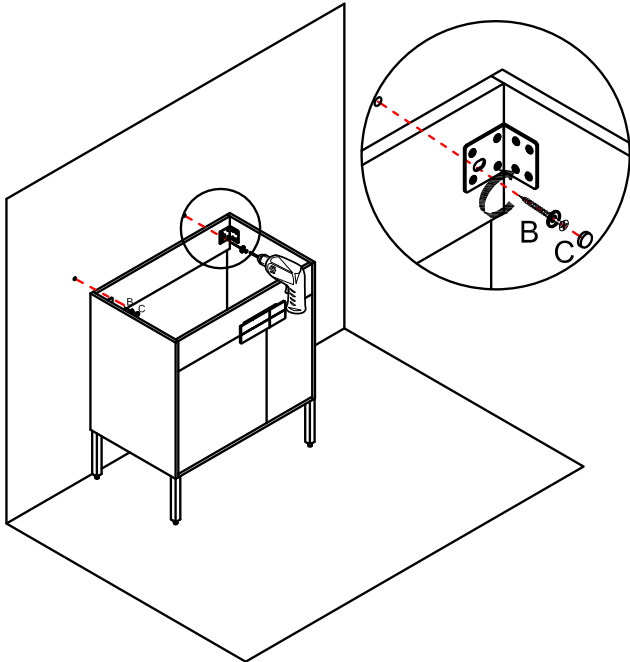
- Make the pre-drilled holes with a pencil or marker after positioning the vanity.
- Drill the holes with suitable drill-bits base on different condition of the wall.

STEP 5

STEP 6

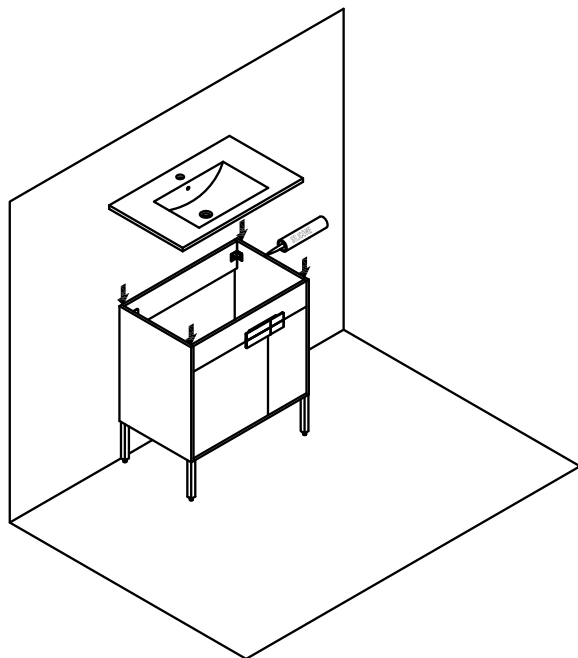


•White rubber plug for brick or concrete wall.



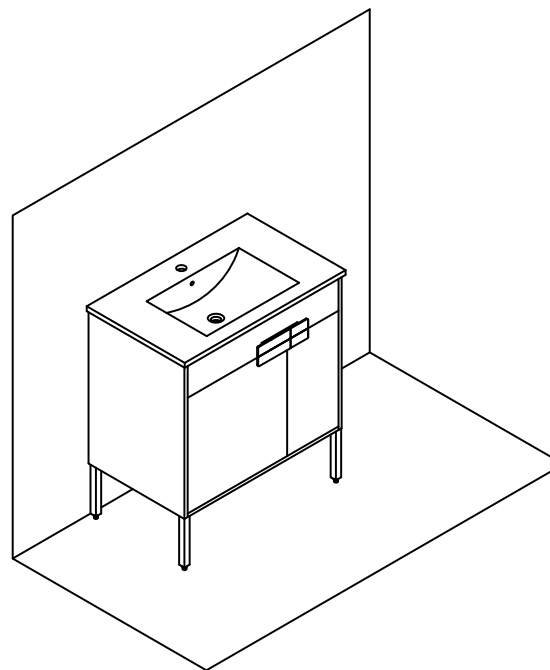
•Fix the cabinet to the wall with screw B and cover it with stainless steel lid C.

STEP 7



• Install the basin with silicone.

STEP 8



• Installation complete.