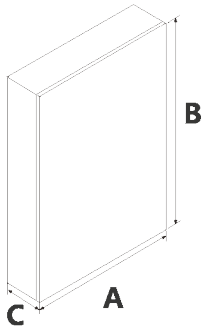


HARDWARE AND TOOLS

Hardware				Tools (not included)		
NO.		Draw	QTY(pcs)			
A	Top mounting bracket		2-3			
B	Bottom mounting bracket		1			
C	Hardware screw		4-10			
D	Glass side panel		2			
E	Glass Shelf		2			
F	Shelf support bracket		4-6			Toothless flat nose plier
H	Wall Plug		4-10			

DIMENSIONS



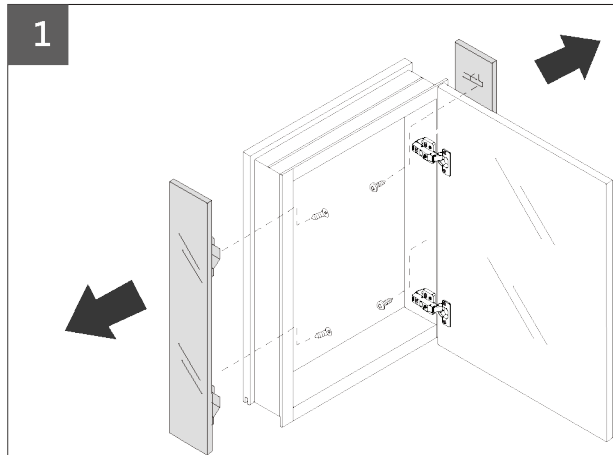
A-Cabinet's Width
B-Cabinet's Height
C-Cabinet's Depth

NOTE: Determine overall medicine cabinet dimensions. If for recess mounting medicine cabinet, determine rough-in (Wall Cut-out) dimensions.

NOTE: All rough-in dimensions for reference only!

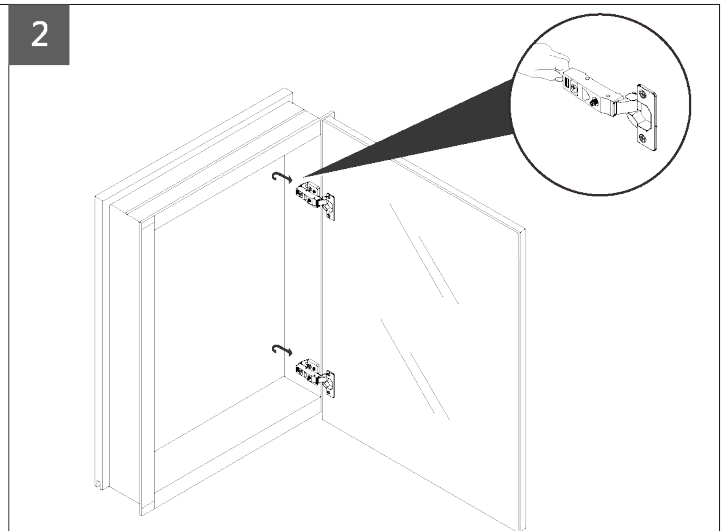
Model No	Item	A	B	C	Rough in size
Vita 16x20"	MC8 1620	16"	20"	5"	15-1/2"x19-1/4"x4"
Vita 15x26"	MC8 1526	15"	26"	5"	14-1/2"x25-1/4"x4"
Vita 20x26"	MC8 2026	20"	26"	5"	19-1/2"x25-1/4"x4"
Vita 20x31"	MC8 2031	20"	31"	5"	19-1/2"x25-1/4"x4"
Vita 25x26"	MC8 2526	25"	26"	5"	24-1/2"x25-1/4"x4"
Vita 30x26"	MC8 3026	30"	26"	5"	29-1/2"x25-1/4"x4"

PRIOR TO MOUNTING

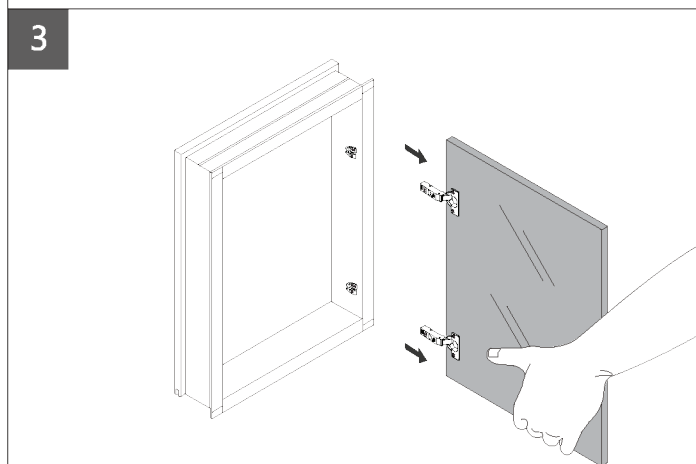


 For recess mount only!

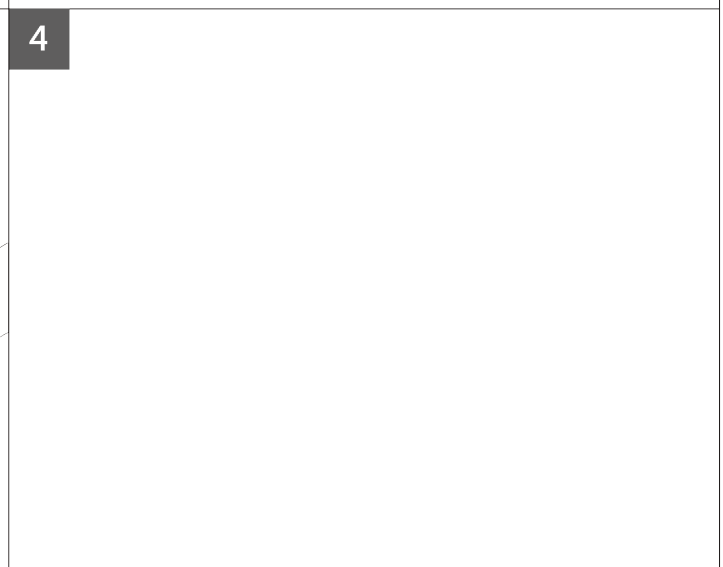
Carefully remove side mirror panels for recess mount installation.



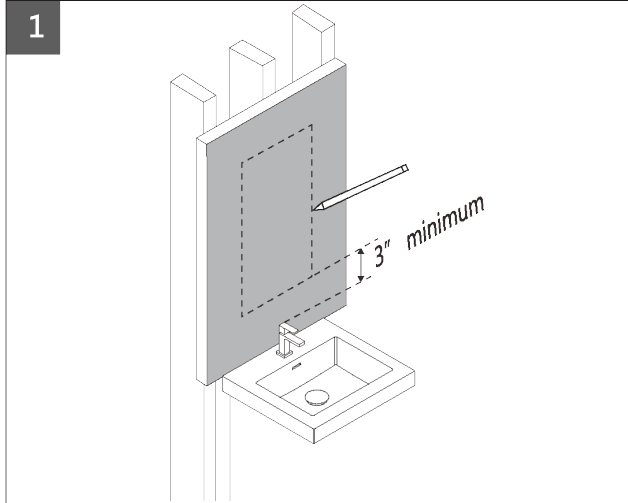
While supporting the door release (the lever under the hinge arm), slide the door off the frame.



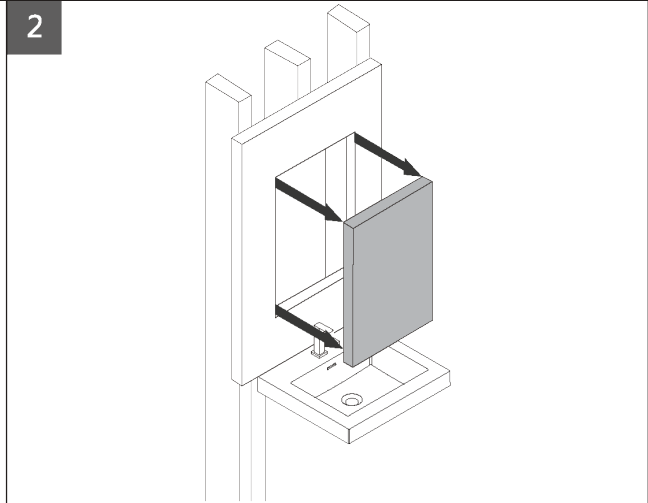
Take off the door(s) carefully and lay it down on a safe area.



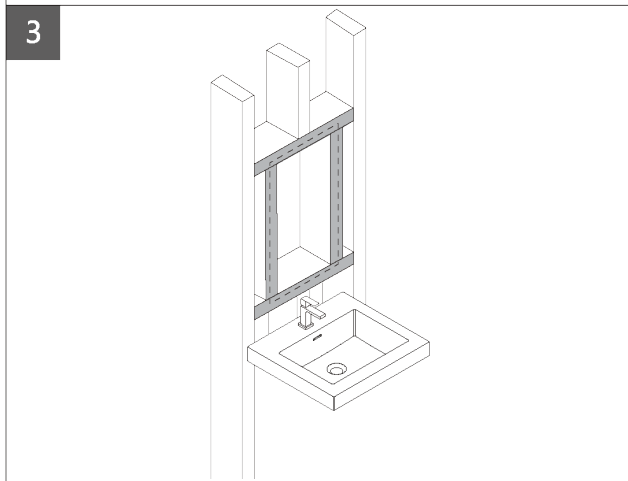
RECESS MOUNT INSTALLATION CONTINUED



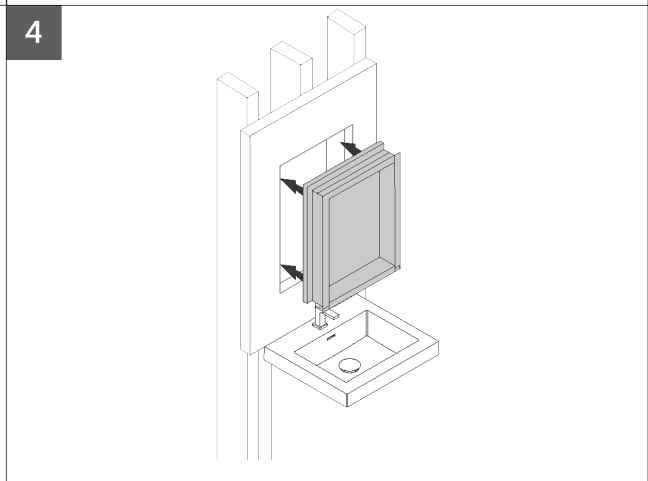
Draw the perimeter of the cabinet on the wall.



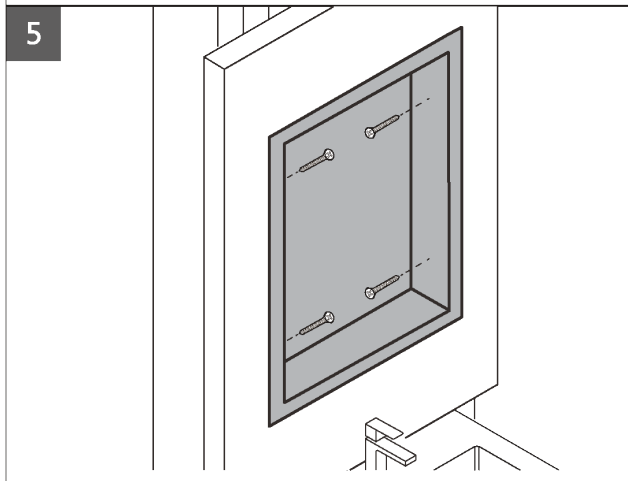
Cut the marked perimeter with suitable tool.



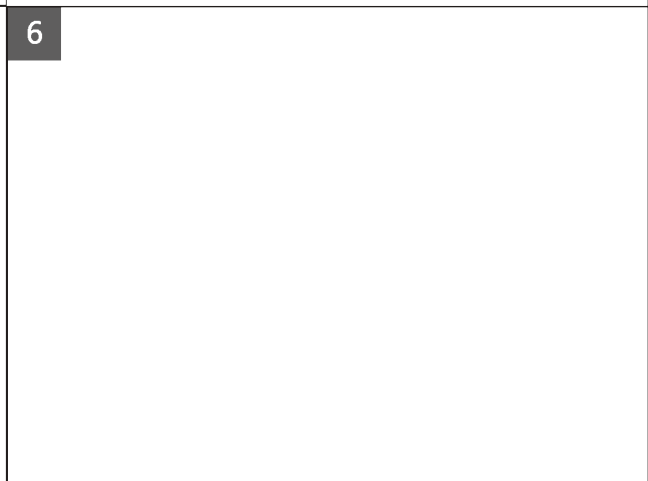
Frame the opening for the cabinet based on the measurements.



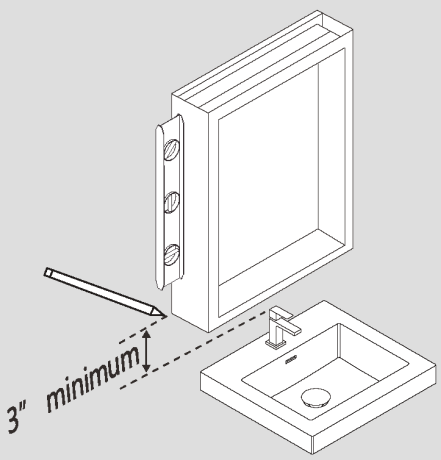
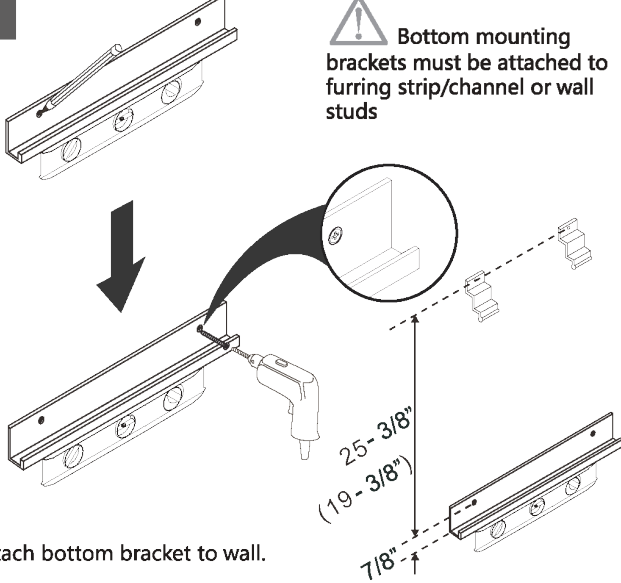
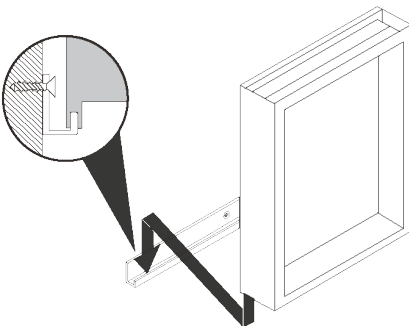
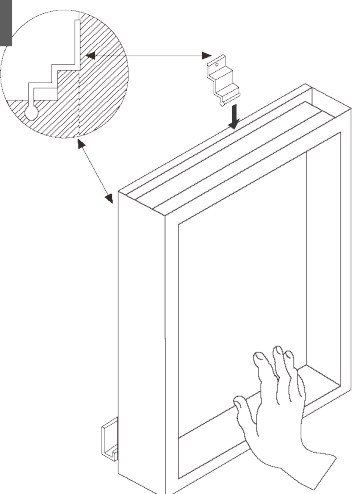
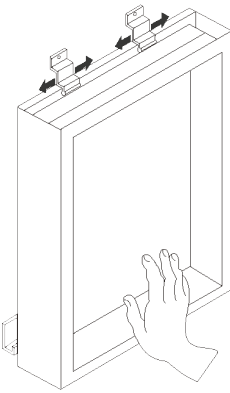
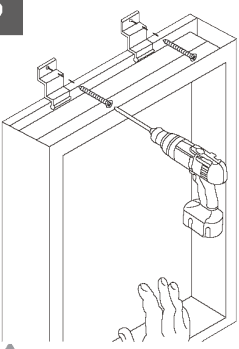
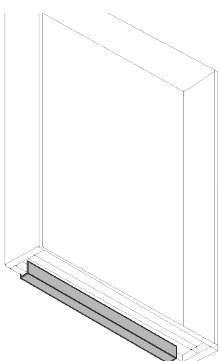
Position cabinet in cut out opening.



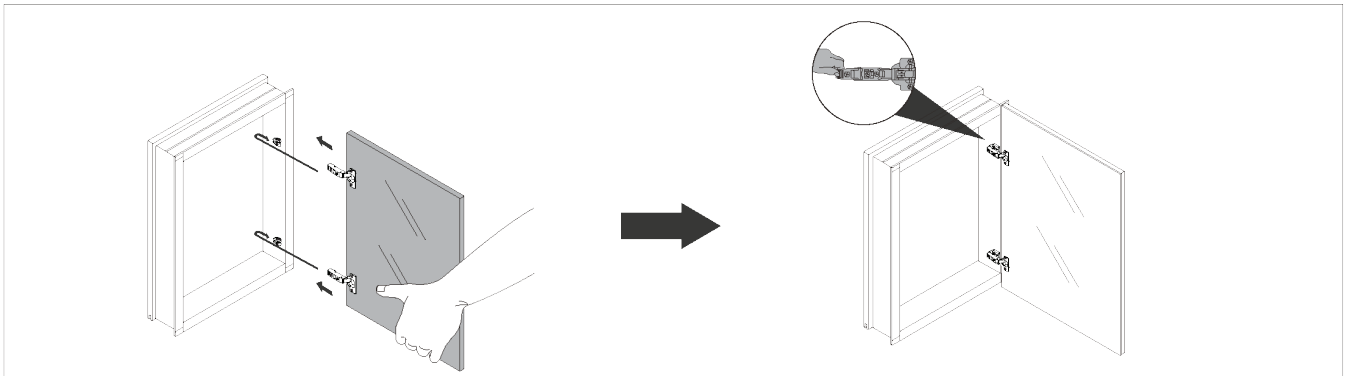
Affix using hardware screws into the studs.



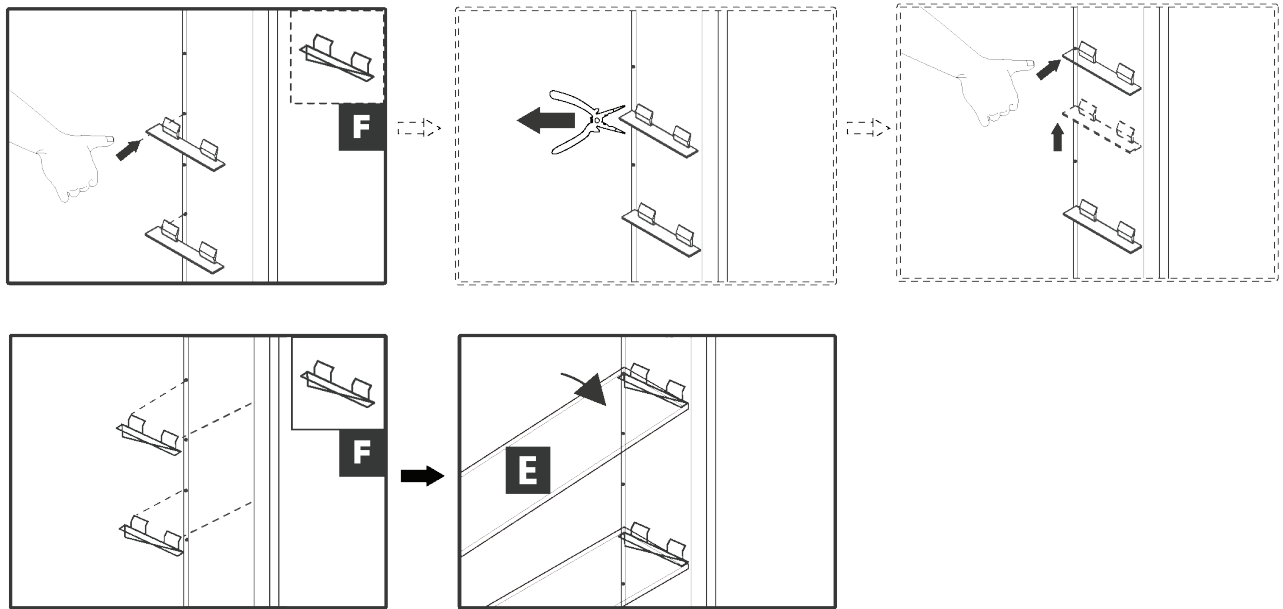
HARDWARE AND TOOLS

<p>1</p>  <p>Level and mark the cabinet's location on the wall.</p>	<p>2</p>  <p>! Bottom mounting brackets must be attached to furring strip/channel or wall studs</p> <p>Attach bottom bracket to wall.</p>	
<p>3</p>  <p>With assistance, to rest the cabinet on the mounting bracket and hold in place.</p>	<p>4</p>  <p>Insert top mounting bracket into the top of the cabinet.</p>	<p>5</p>  <p>Make sure top brackets are locked in the grooves.</p>
<p>6</p>  <p>! Top mounting brackets must be attached to furring strip/channel or wall studs.</p> <p>Attach the top mounting bracket to the wall using a screw gun.</p>	<p>7</p>  <p>! Make sure cabinet is leveled and fully inserted into the groove of the bottom bracket.</p> <p>Test the fit of the cabinet before Final assembly.</p>	

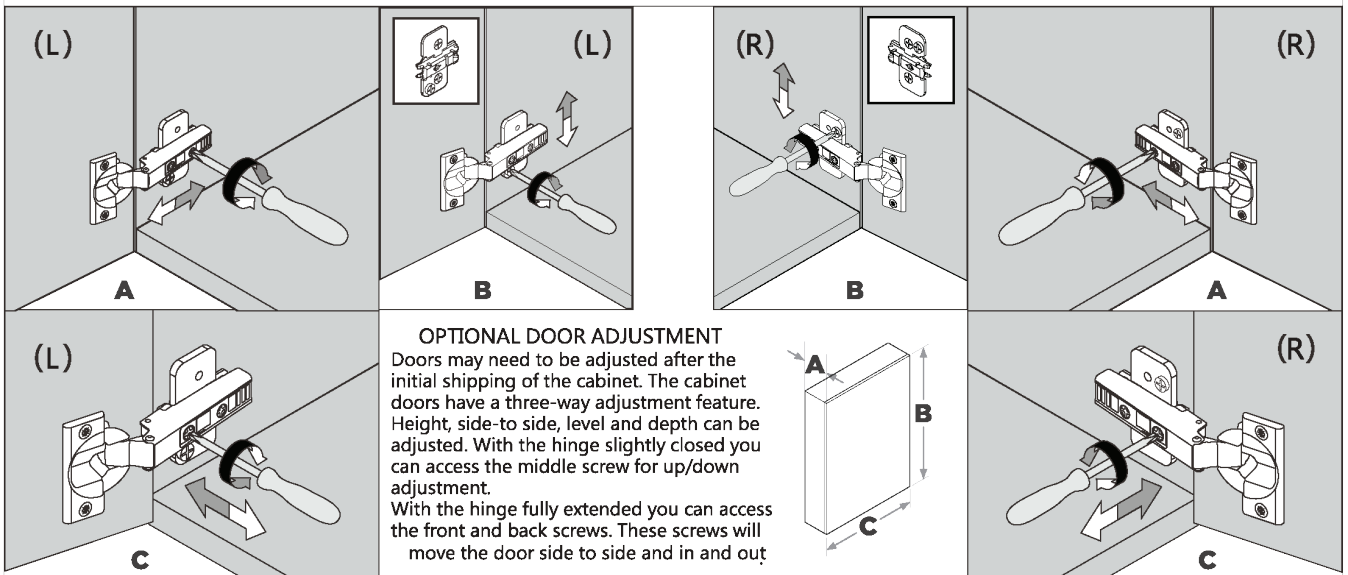
FINAL ASSEMBLY



1. Slide the doors into place by pinching the end of the hinges.
2. Plug the door into the cabinet.



1. Insert clear snap in shelf clips (F) into holes on the sides of the cabinet cabinet.



FINAL ASSEMBLY

Use and Maintenance:

The interior is constructed of mirrored glass and aluminum. Use only a damp cloth to clean. Ammonia or vinegar-based cleansers can damage mirrors.

When cleaning, spray the cloth, not the mirror, or surrounding surfaces. Do not use abrasive cleansers on any parts of the light fixture.