


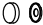


INSTALLATION GUIDE

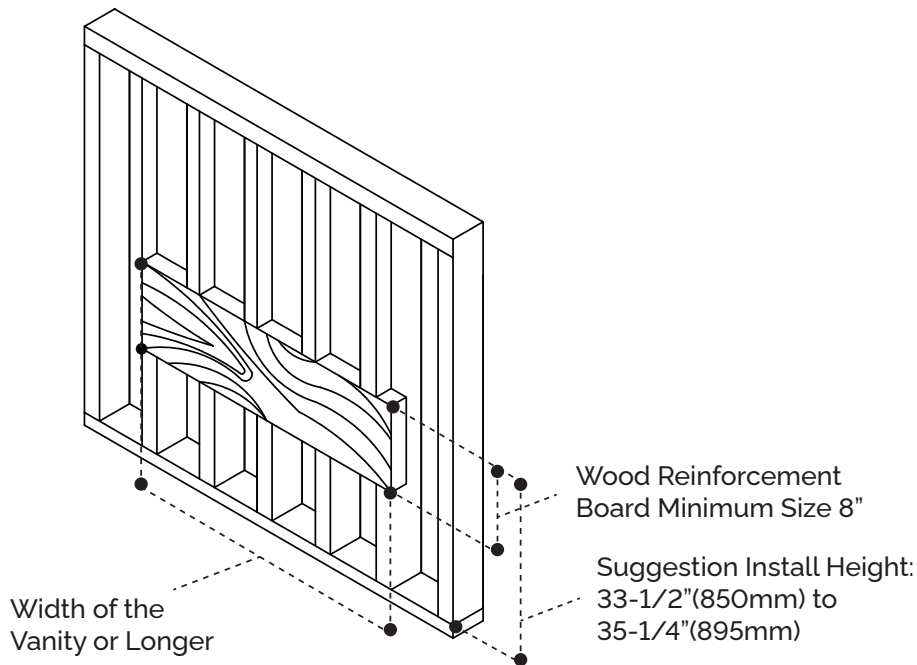
Mona Collection

tilebar

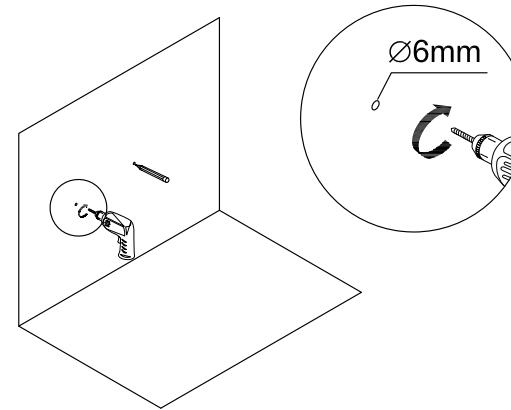
Hardware			Tools (not includes)
NO.		Draw	
A	Adjust feet		4
B	White rubber plug(Ø6mm)		2
C	Screws(Ø4 x 68mm)		2
D	Stainless steel cover		2

Wall blocking is required for all installation.

The suggested heights without the sink are 30-5/8" for our Resin Basin, or 32-5/8" for our Ceramic Basin. Depending on the sinks selected, the total height will vary from 33-1/2"(850mm) to 35-1/4"(895mm). If an alternate height desired, adjust the rough-in and backing material heights using the dimensions provided.

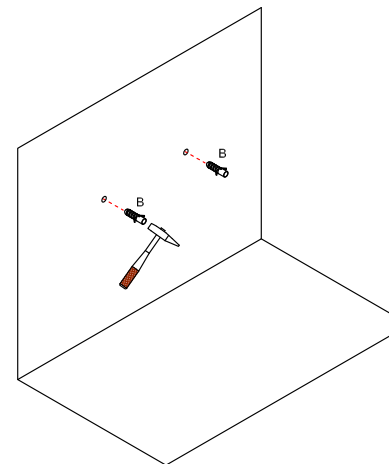


STEP 1



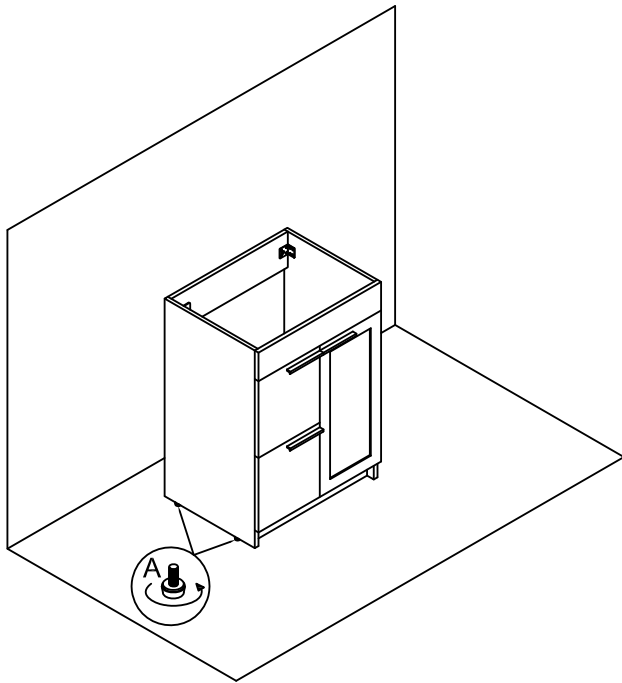
- Mark pre-drilled holes with a pencil or marker after positioning the vanity.
- Drill the holes with suitable drill-bits base on different condition of the

STEP 2



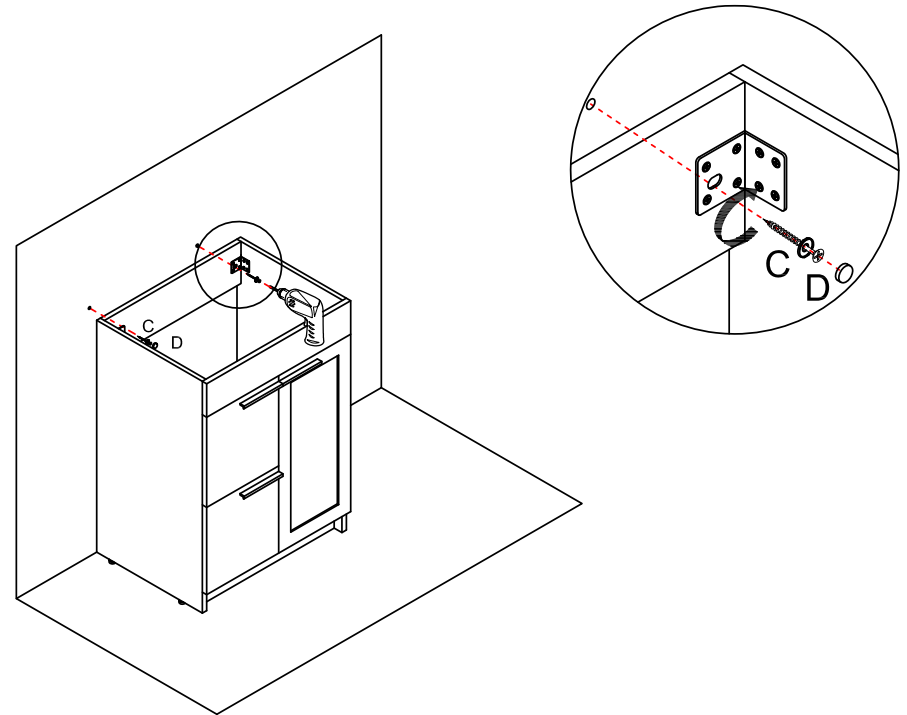
- White rubber plug for brick or concrete wall.

STEP 3



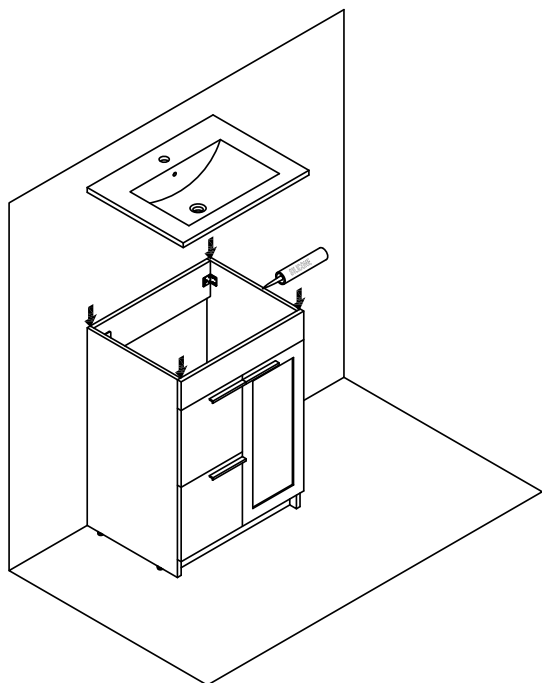
- Screw the lifting foot into the screw hole at the bottom.
- The adjusting screw at the bottom of the metal foot can be raised 0-9/16" (0-15mm).

STEP 4



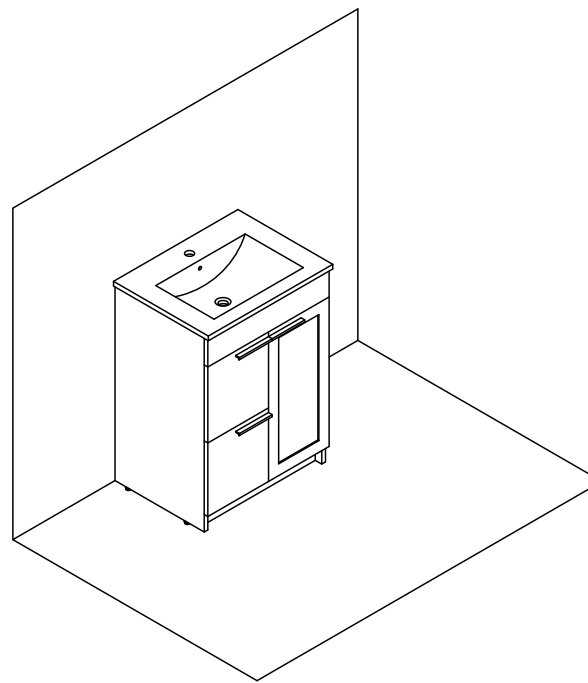
- Fix the cabinet to the wall with screw C and cover it with a stainless steel lid D.

STEP 5



- Install the basin with silicone.

STEP 6



- Installation complete.